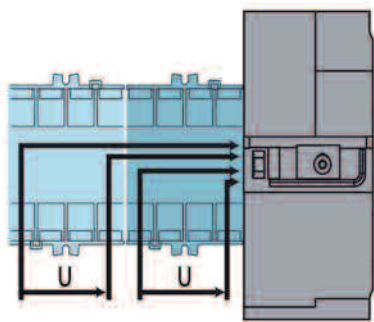


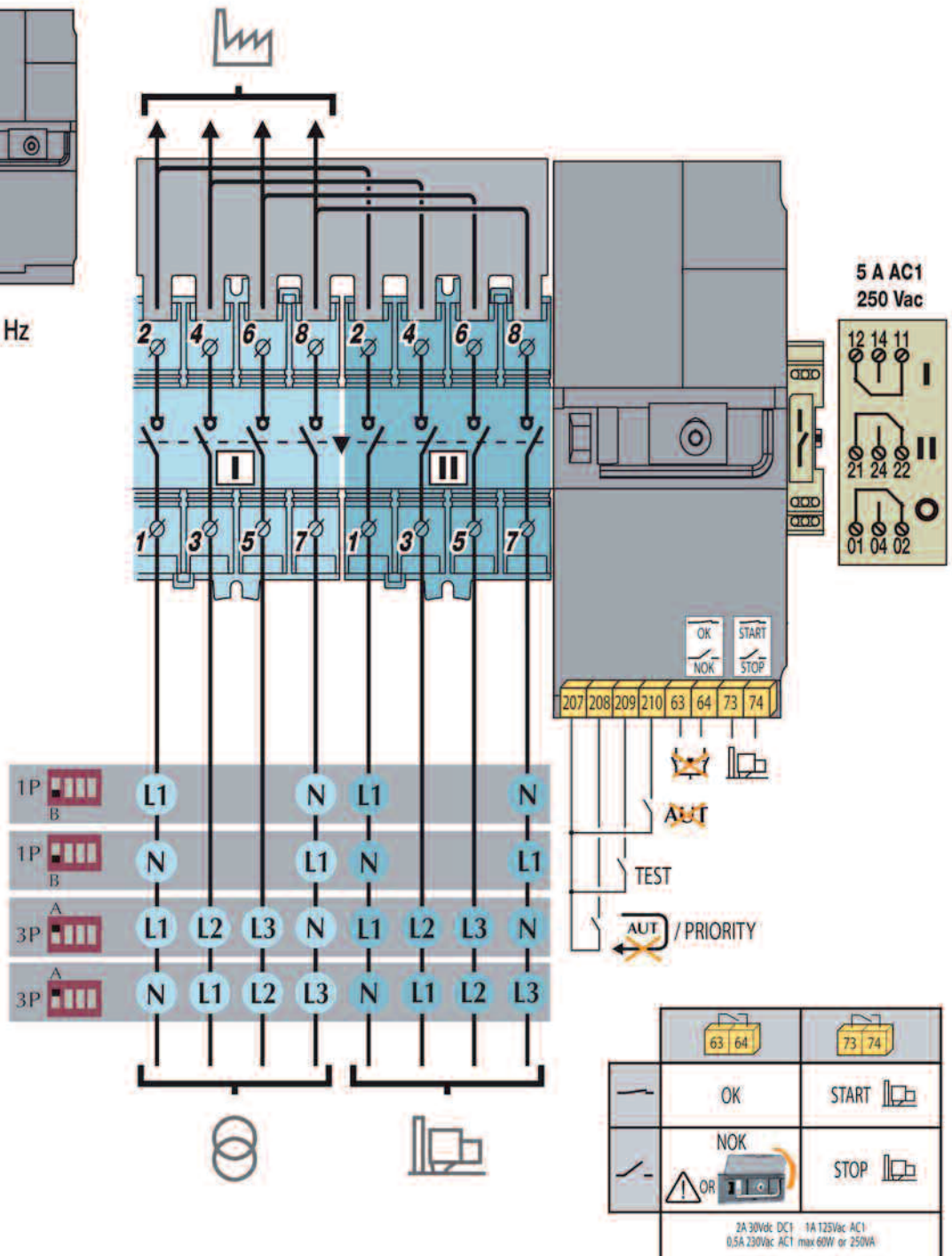


- Ⓜ GB Automatic Transfer Switch
- Ⓜ FR Commutateur motorisé
- Ⓜ DE Motorisierter Umschalter

HIC 402A - HIC 404A
 HIC 406A - HIC 408A - HIC 410A
 HIC 412A - HIC 416A



U = 176-288 Vac 45-65 Hz



	63 64	73 74
—	OK	START
—	NOK	STOP
—	⚠ OR	STOP
2A 30Vdc DC1 - 1A 125Vdc AC1 0.5A 230Vdc AC1 max 60W or 250VA		

Ref : HIZ400 125 A ≦
Ref : HIZ401 = 160 A

10 to 70 mm²
8 to # 00 AWG
6 to 50 mm²
10 to # 00 AWG
15 mm / 0,59"

44,1 lb-in 5,0 Nm

OK

Ref : HZC218

44,1 lb-in 5,0 Nm

OK

Ref : HZI230

3,97 lb-in 0,45 Nm

44,1 lb-in 5,0 Nm

3,97 lb-in 0,5 Nm

0,5 to 1,5 mm²
20 to # 14 AWG
0,5 to 1,0 mm²
20 to # 16 AWG
6 mm / 0,236"

10 to 70 mm²
8 to # 00 AWG
6 to 50 mm²
10 to # 00 AWG
15 mm / 0,59"

0,5 to 2,5 mm²
20 to # 14 AWG
0,5 to 1,5 mm²
20 to # 16 AWG
6 mm / 0,236"

hygrometry :
* 90% humidity without condensation at 5° C
* 95% humidity with condensation at 40° C

altitude :
max 2 000 m without de-rating

temperature :
* -10 +40° C without de-rating
* -20 +70° C with de-rating

mass : 5 kg

storage :
* temperature -20 to +70° C
* period : 1 year max

Ref : HZI300, HZI301

0,5 to 2,5 mm²
20 to # 14 AWG
0,5 to 1,5 mm²
20 to # 16 AWG
6 mm / 0,236"

4,4 lb-in 0,5 Nm

20mm
8,8 lb-in 1 Nm

35mm
8,8 lb-in 1 Nm

2 MAX

OK

STEP 1

STEP 2

STEP 3

STEP 4

2,2 lb-in 0,25 Nm

OK!

340
324
116
13 26
143
18
245
45
MAX : 2
46
53
73,5

340
52 104 176
131,5
131,5
6 x M6 22 lb-in 2,5 Nm

RAIL IEC 60715

8,8 lb-in 1 Nm

OK OK OK OK OK OK

OPERATION

AUT

Click

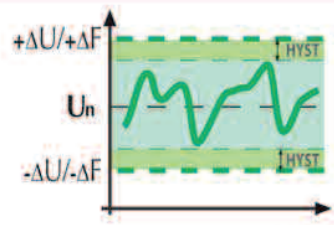
Max 88,2 lb-in 10 Nm

4 mm min
3/16" min
8 mm max
5/16" max

STEP 1



STEP 3

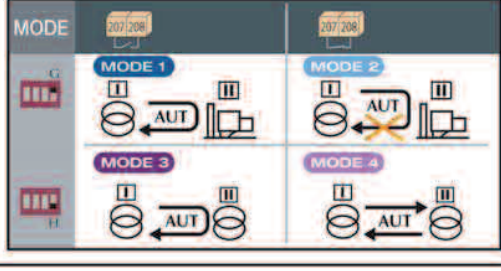


Un (P-P) : 380 → 420 Vac
 Un (P-N) : 220 → 240 Vac

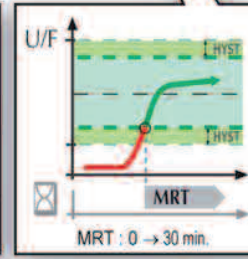
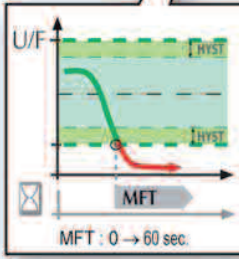
ΔU : 5 → 20%
 ΔF : 3 → 10%
 HYST : 20% ΔU/F

STEP 2

- A 3P
- B 1P
- C 50 Hz
- D 60 Hz
- E [Symbol]
- F [Symbol]

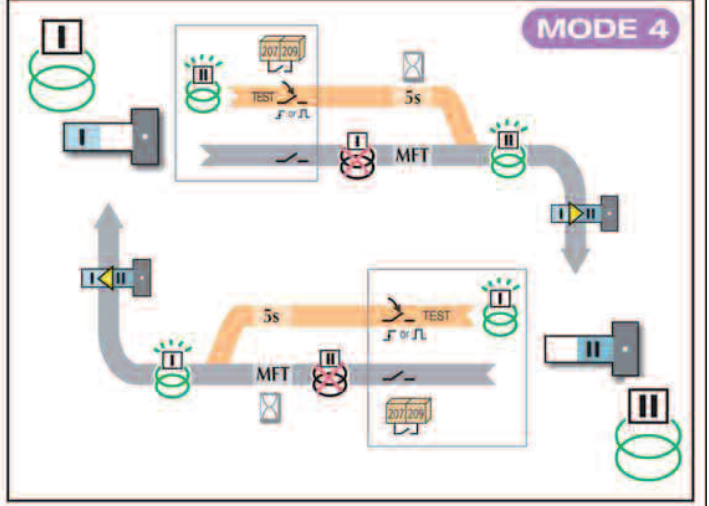
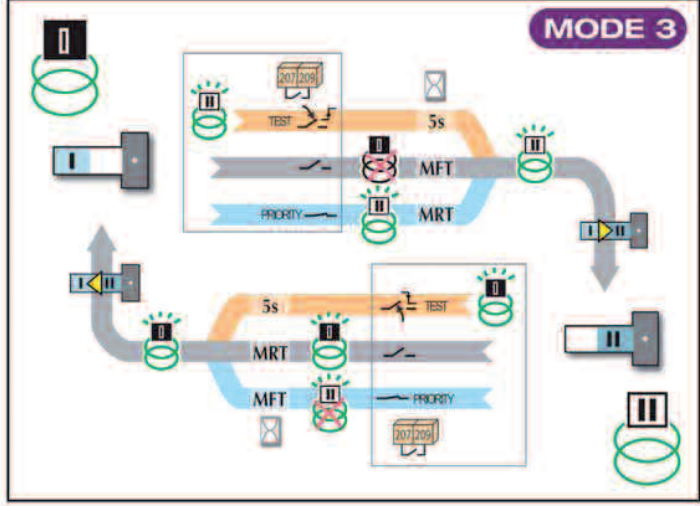
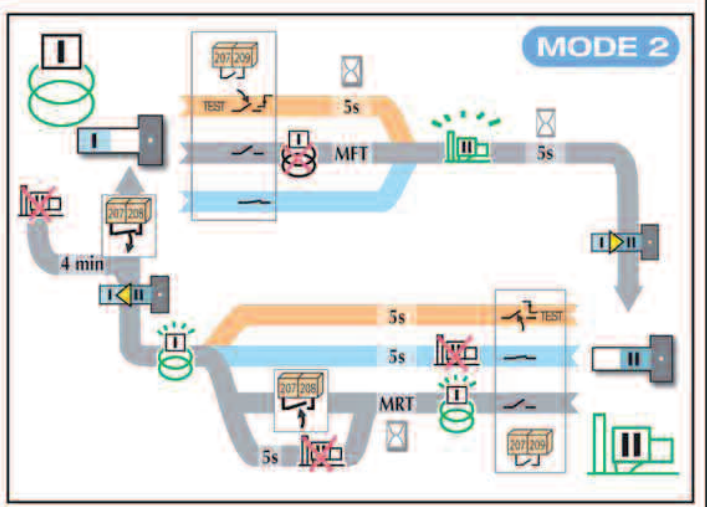
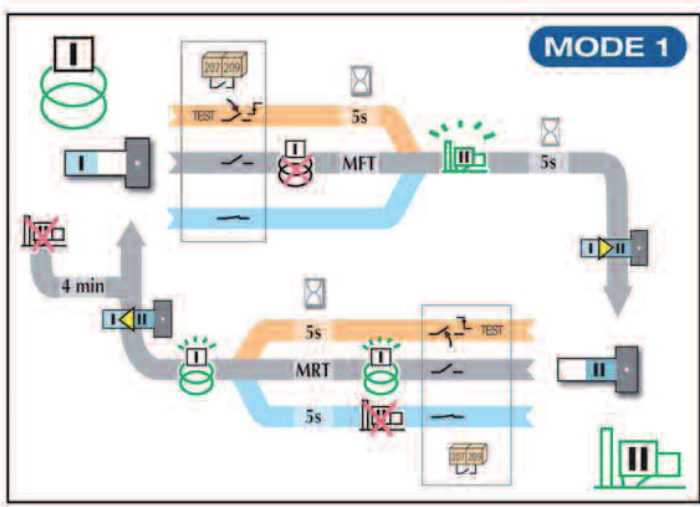


STEP 4



ON	OFF	[Symbol]
FAULT	OK	WAIT!
AUT	[Symbol]	AUT

ON	OFF	[Symbol]
[Symbol]	[Symbol]	TEST
[Symbol]	[Symbol]	MODE 1
[Symbol]	[Symbol]	MODE 2



X-ON Electronics

Largest Supplier of Electrical and Electronic Components

Click to view similar products for [Mounting Fixings](#) category:

Click to view products by [Hager](#) manufacturer:

Other Similar products are found below :

[5912235-1 REV](#) - [71-215091-8S](#) [75-69211-3P](#) [75-69214-6P](#) [75-69220-27S](#) [7717-8DAP](#) [85048GBESR](#) [PMS27488-001-01](#) [1-18023-0](#) [H-118-2](#) [1301790551](#) [BR16A](#) [NT20SATT01](#) [22594-8](#) [89078GBEPR](#) [89078GBESR](#) [9150700000](#) [SF4011-60101](#) [1671](#) [1855-54](#) [1996901-1](#) [2079844-1](#) [2193](#) [2518](#) [H-118-1](#) [BACC47CN2S](#) [LF9Z-1SB22](#) [WMLX-109](#) [364202K01V167](#) [ELXA051G1](#) [2547](#) [1453315-11](#) [71-452350-8S](#) [71-572965-8S](#) [75-69214-7J](#) [75-69811-3S](#) [H373247-15](#) [81517301](#) [P954-1](#) [860099-1](#) [1189-90](#) [1106352-2](#) [5D0515-20S REV A](#) [M39014/01-1570](#) [30809-700](#) [6024](#) [734032001](#) [197-007](#) [BRKT-ND](#) [197-003](#)