

STANDARD DIMENSIONS OF SERIES EI 48

HAHN-quality - Efficiency to trust



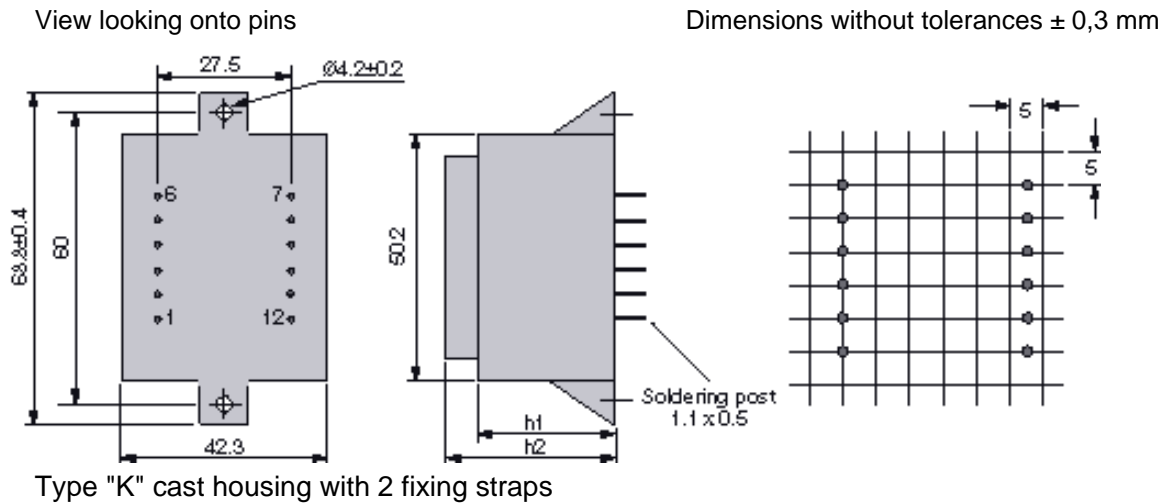
EI 48 - security transformers, capacity: up to 15 VA

performance up to max. 15 VA	highest security durability
non short-circuit-proof at temperature class ta 70°C/B	high dielectric strength
standard type "K" cast housing without fixing straps	self-extinguishing cast housing and sealing material
with ENEC 10-, VDE- and UL-mark	quality is individually tested and certified
excellent reaction to temperature changes	packaging unit: 24 pcs

overall height	efficiency (ta 70/B)	h 1 (mm)	h 2 (mm)	weight kg
EI 48 / 12.5 mm*	7 VA	23.5 +/- 0.5	29.5 +/- 0.5	0.250
EI 48 / 16.8 mm	10 VA	27.9 +/- 0.5	34.6 +/- 0.5	0.300
EI 48 / 20.5 mm	12 VA	32.3 +/- 0.5	38.5 +/- 0.5	0.350
EI 48 / 25.5 mm	15 VA	36.6 +/- 0.5	43.5 +/- 0.5	0.450

*Only in type "0"

All products listed in the chart have been tested to meet the standards of DIN EN 61558. They are available for immediate delivery.



Fuse protection by external secondary fine-wire fuse according to IEC 127 or external secondary PTC-resistors.

Any product from this series with 230 V primary voltage may be delivered the following day if ordered before 12:00 o'clock CET.



data sheet	article no.	power VA	primary voltage V	connecting pins prim.	secondary voltage V	current sec. mA	connecting pins sek.	no-load voltage V
---	BV EI 480 1218	7	1x 230	1-6	2x 7.5	467	7-8/11-12	2x 10.1

---	BV EI 480 1219	7	1x 230	1-6	1x 9	778	8-11	1x 11.6
---	BV EI 480 1220	7	1x 230	1-6	2x 9	388	7-8/11-12	2x 11.6
---	BV EI 480 1221	7	1x 230	1-6	1x 12	583	8-11	1x 15.2
---	BV EI 480 1222	7	1x 230	1-6	2x 12	292	7-8/11-12	2x 15.4
---	BV EI 480 1223	7	1x 230	1-6	1x 15	467	8-11	1x 18.9
---	BV EI 480 1224	7	1x 230	1-6	2x 15	233	7-8/11-12	2x 19
---	BV EI 480 1225	7	1x 230	1-6	1x 18	389	8-11	1x 22.3
---	BV EI 480 1226	7	1x 230	1-6	1x 24	292	8-11	1x 29.4
---	BV EI 480 1227	7	1x 230	1-6	1x 6	1167	8-11	1x 7.6
---	BV EI 480 1228	7	1x 230	1-6	2x 6	583	7-8/11-12	2x 7.6
---	BV EI 480 1229	7	1x 230	1-6	2x 18	195	7-8/11-12	2x 22.3
---	BV EI 480 1230	7	1x 230	1-6	1x 7.5	934	8-11	1x 10.1

[back to sizes](#)

Fuse protection by external secondary fine-wire fuse according to IEC 127 or external secondary PTC-resistors

Any product from this series with 230 V primary voltage may be delivered the following day if ordered before 12:00 o'clock CET.



data sheet	article no.	power VA	primary voltage V	connecting pins prim.	secondary voltage V	current sec. mA	connecting pins sek.	no-load voltage V
---	BV EI 481 1118	10	1x 230	1-6	2x 9	556	7-8/11-12	2x 11.5
---	BV EI 481 1119	10	1x 230	1-6	2x 12	417	7-8/11-12	2x 15.3
---	BV EI 481 1120	10	1x 230	1-6	2x 15	333	7-8/11-12	2x 18.6
---	BV EI 481 1134	10	1x 230	1-6	2x 6	833	7-8/11-12	2x 7.6
---	BV EI 481 1142	10	1x 230	1-6	1x 6	1667	8-11	1x 7.6
---	BV EI 481 1167	10	1x 230	1-6	1x 9	1111	8-11	1x 11.5
---	BV EI 481 1172	10	1x 230	1-6	1x 12	833	8-11	1x 15.5
---	BV EI 481 1182	10	1x 230	1-6	1x 7.5	1333	8-11	1x 9.8
---	BV EI 481 1184	10	1x 230	1-6	1x 15	667	8-11	1x 18.6
---	BV EI 481 1185	10	1x 230	1-6	1x 18	556	8-11	1x 22.3
---	BV EI 481 1186	10	1x 230	1-6	1x 24	416	8-11	1x 28.7
---	BV EI 481 1188	10	1x 230	1-6	2x 7.5	667	7-8/11-12	2x 9.8
---	BV EI 481 1192	10	1x 230	1-6	2x 18	278	7-8/11-12	2x 22.3

[back to sizes](#)

Fuse protection by external secondary fine-wire fuse according to IEC 127 or external secondary PTC-resistors

Any product from this series with 230 V primary voltage may be delivered the following day if ordered before 12:00 o'clock CET.



data sheet	article no.	power VA	primary voltage V	connecting pins prim.	secondary voltage V	current sec. mA	connecting pins sek.	no-load voltage V
---	BV EI 482 1231	12	1x 230	1-6	1x 6	2000	8-11	1x 8.3
---	BV EI 482 1232	12	1x 230	1-6	2x 6	1000	7-8/11-12	2x 8.3
---	BV EI 482 1233	12	1x 230	1-6	1x 7.5	1600	8-11	1x 10.6
---	BV EI 482 1234	12	1x 230	1-6	2x 18	333	7-8/11-12	2x 23.5
---	BV EI 482 1236	12	1x 230	1-6	2x 7.5	800	7-8/11-12	2x 10.6
---	BV EI 482 1237	12	1x 230	1-6	1x 9	1333	8-11	12.4
---	BV EI 482 1238	12	1x 230	1-6	2x 9	667	7-8/11-12	2x 12.4
---	BV EI 482 1239	12	1x 230	1-6	1x 12	1000	8-11	1x 16.3
---	BV EI 482 1240	12	1x 230	1-6	2x 12	500	7-8/11-12	2x 16.3
---	BV EI 482 1241	12	1x 230	1-6	1x 15	800	8-11	1x 19.9
---	BV EI 482 1242	12	1x 230	1-6	2x 15	400	7-8/11-12	2x 19.9
---	BV EI 482 1243	12	1x 230	1-6	1x 18	667	8-11	1x 23.5
---	BV EI 482 1244	12	1x 230	1-6	1x 24	500	8-11	1x 30.3

[back to sizes](#)

Fuse protection by external secondary fine-wire fuse according to IEC 127 or external secondary PTC-resistors

Any product from this series with 230 V primary voltage may be delivered the following day if ordered before 12:00 o'clock CET.

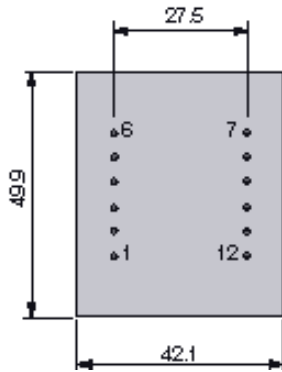


data sheet	article no.	power VA	primary voltage V	connecting pins prim.	secondary voltage V	current sec. mA	connecting pins sek.	no-load voltage V
---	BV EI 483 1245	15	1x 230	1-6	2x 7.5	1000	7-8/11-12	2x 9.5
---	BV EI 483 1246	15	1x 230	1-6	1x 9	1667	8-11	1x 12
---	BV EI 483 1247	15	1x 230	1-6	2x 9	833	7-8/11-12	2x 12
---	BV EI 483 1248	15	1x 230	1-6	1x 12	1250	8-11	1x 15.9
---	BV EI 483 1249	15	1x 230	1-6	2x 12	625	7-8/11-12	2x 15.9
---	BV EI 483 1250	15	1x 230	1-6	1x 15	1000	8-11	1x 19.1
---	BV EI 483 1251	15	1x 230	1-6	2x 15	500	7-8/11-12	2x 19.1
---	BV EI 483 1252	15	1x 230	1-6	1x 18	833	8-11	1x 22.8
---	BV EI 483 1253	15	1x 230	1-6	1x 24	625	8-11	1x 30.6
---	BV EI 483 1257	15	1x 230	1-6	2x 6	1250	7-8/11-12	2x 7.8
---	BV EI 483 1258	15	1x 230	1-6	1x 7.5	2000	8-11	1x 9.5

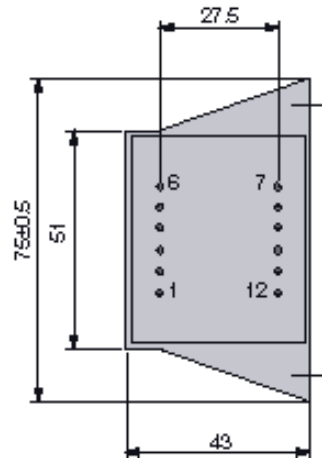
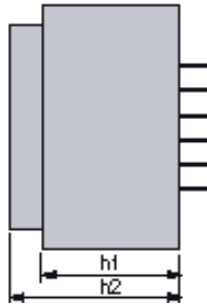
---	BV EI 483 1259	15	1x 230	1-6	2x 18	417	7-8/11-12	2x 22.8
---	BV EI 483 1260	15	1x 230	1-6	1x 6	2500	8-11	1x 7.8

[back to sizes](#)

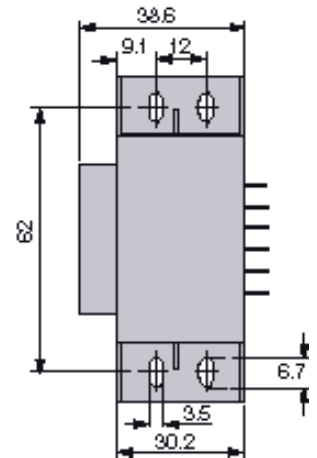
INDIVIDUAL MODELS OF EI 48-TRANSFORMERS



Type "0" cast housing without fixing straps



Type "W" for upright mounting

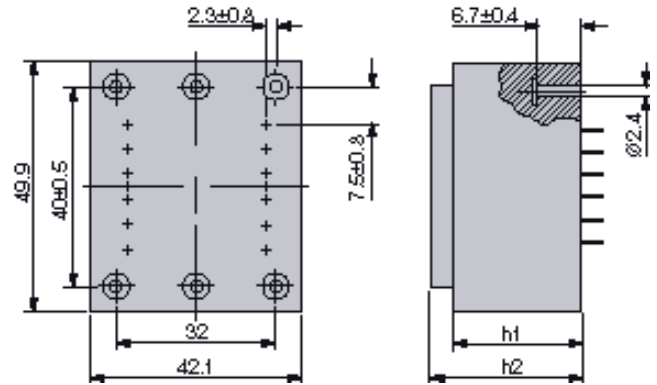


EI 48 transformers - custom-made versions

In addition to the specified EI 48 series standard transformers we also produce all possible versions, e.g. with encapsulated thermal fuse or PTC; other housing-, fixing and connection options as well as non-encapsulated transformers as a low-cost versions.

Dimensions in drawings:

- without tolerances ± 0.3 mm
- Soldering post: 1.1 x 0.5 mm



Type "0" cast housing with fixing band

We also supply other dimensions and performance data.

Ask us, we shall be glad to meet your special requirements!

X-ON Electronics

Largest Supplier of Electrical and Electronic Components

Click to view similar products for [Current Transformers](#) category:

Click to view products by [Hahn](#) manufacturer:

Other Similar products are found below :

[MP3500](#) [BV UI 302 0156](#) [45029](#) [BV EI 302 2863](#) [BV EI 303 2809](#) [BV EI 303 3060](#) [BV EI 305 2309](#) [BV EI 306 3604](#) [BV EI 481 1295](#) [BV EI 481 1325](#) [BV UI 301 0133](#) [BV UI 302 0144](#) [BV UI 302 0161](#) [BV UI 304 0019](#) [BV UI 304 0129](#) [BV UI 304 0159](#) [BV UI 304 0173](#) [TI-EF16-2X4V-4W](#) [SPCT62/40150/5AVA3CL1](#) [SPCT62/30100/5AVA1CL1](#) [SPCT62/3075/5AVA1CL3](#) [SPCT62/40150/5AVA1.5CL1](#) [SPCT62/40200/5AVA2.5CL0.5](#) [SPCT62/40300/5AVA3CL0.5](#) [CTD-KIT](#) [44013](#) [44017](#) [44021](#) [44098](#) [44101](#) [44134](#) [44171](#) [44174](#) [44178](#) [44180](#) [44248](#) [44250](#) [44278](#) [44339](#) [44340](#) [44373](#) [44375](#) [44376](#) [44378](#) [44379](#) [44436](#) [44831](#) [B82801B0925A200](#) [PA3655NL](#) [PA3828NL](#)