



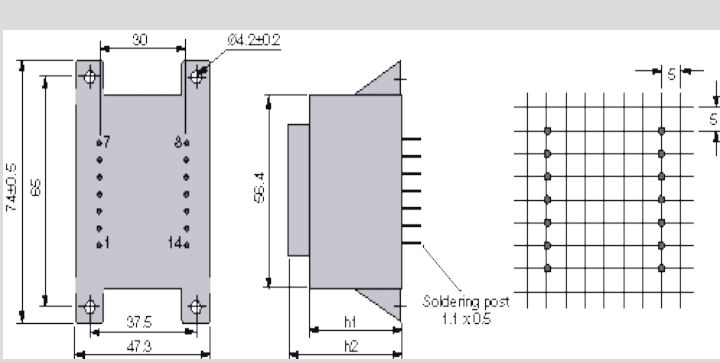
- Product summary
- Printed Circuit-Board transformers
 - Frame size BV 20
 - Frame size EI 30
 - Frame size EI 34
 - Frame size EI 38
 - Frame size EI 42
 - Frame size EI 48
 - Frame size EI 54
 - Frame size EI 60
 - Frame size EI 66
 - Frame size EI 78-EI 96
 - Frame size EI 78
 - Frame size EI 84
 - Frame size EI 96
- Flat-type transformers
- Standard converter
- Mains chokes (PFC)
- RAST 5 transformers
- SMPS transformers
- Special solutions/ customized versions
- Transformer for Top-Hat-Rail Fixtures
- Non-encapsulated transformers
- Fine-wire-coils
- Electrical Power Supply Facilities
- Compact power supply units
- Energy storage choke
- Toroidal transformers
- Ignition transformers/ Electric ignition devices
- Product search
- Catalog

EI 54 Printed circuit-board transformers, output capacity up to 15 VA



- Capacity up to 22.0 VA
- Non short-circuit-proof at temperature class ta 70 °C/B
- Standard type with 'KK' cast housing
- Test certifications to ENEC 10- and VDE-registrations
- Excellent temperature fluctuation resistance properties
- High electrical safety and long Service-life features
- High voltage resistance
- Self-extinguishing cast housing and sealing material
- Certified item quality tested

Primary protection by means of transformer heat coils to IEC 127 Standards or secondarily with PTC resistances



| Frame size/Core height | Output ta 70°C/B | h 1 (mm) | h 2 (mm) | Weight kg | Packaging unit (pcs) |
|------------------------|------------------|--------------|--------------|-----------|----------------------|
| EI 540 / 14.0 mm* | 12 VA | ca. 27.0* | ca. 33.7* | 0.350 | 19 |
| EI 541 / 18.8 mm | 16 VA | 32.0 +/- 0.5 | 38.8 +/- 0.5 | 0.400 | 14 |
| EI 542 / 23.0 mm | 20 VA | 36.5 +/- 0.5 | 43.2 +/- 0.5 | 0.500 | 14 |
| EI 543 / 25.5 mm | 22 VA | 39.5 +/- 0.5 | 47.4 +/- 0.5 | 0.550 | 14 |

* only in type "0"

Serial-Types

| data sheet | article no. | power VA | primary voltage V | connecting pins prim. | secondary voltage V | current sec. mA | connecting pins sek. | |
|------------|----------------|----------|-------------------|-----------------------|---------------------|-----------------|----------------------|---------|
| display | BV EI 540 1137 | 12 | 1x 230 | 1-7 | 1x 6 | 2000 | 9-13 | 1x 8.1 |
| display | BV EI 540 1138 | 12 | 1x 230 | 1-7 | 2x 6 | 1000 | 8-9/13-14 | 2x 8.1 |
| display | BV EI 540 1139 | 12 | 1x 230 | 1-7 | 1x 7.5 | 1600 | 9-13 | 1x 9.9 |
| display | BV EI 540 1140 | 12 | 1x 230 | 1-7 | 2x 7.5 | 800 | 8-9/13-14 | 2x 9.9 |
| display | BV EI 540 1141 | 12 | 1x 230 | 1-7 | 1x 9 | 1333 | 9-13 | 1x 12.2 |
| display | BV EI 540 1142 | 12 | 1x 230 | 1-7 | 2x 9 | 667 | 8-9/13-14 | 2x 12.2 |
| display | BV EI 540 1143 | 12 | 1x 230 | 1-7 | 1x 12 | 1000 | 9-13 | 1x 15.8 |
| display | BV EI 540 1144 | 12 | 1x 230 | 1-7 | 2x 12 | 500 | 8-9/13-14 | 2x 15.8 |
| display | BV EI 540 1145 | 12 | 1x 230 | 1-7 | 1x 15 | 800 | 9-13 | 1x 19.4 |
| display | BV EI 540 1146 | 12 | 1x 230 | 1-7 | 2x 15 | 400 | 8-9/13-14 | 2x 19.4 |
| display | BV EI 540 1147 | 12 | 1x 230 | 1-7 | 1x 18 | 667 | 9-13 | 1x 23.5 |
| display | BV EI 540 1148 | 12 | 1x 230 | 1-7 | 2x 18 | 334 | 8-9/13-14 | 2x 23.5 |
| display | BV EI 540 1149 | 12 | 1x 230 | 1-7 | 1x 24 | 500 | 9-13 | 1x 30.6 |

back to sizes

| data sheet | article no. | power VA | primary voltage V | connecting pins prim. | secondary voltage V | current sec. mA | connecting pins sek. | |
|------------|----------------|----------|-------------------|-----------------------|---------------------|-----------------|----------------------|---------|
| display | BV EI 541 1110 | 16 | 1x 230 | 1-7 | 1x 24 | 667 | 9-13 | 1x 29.1 |
| display | BV EI 541 1121 | 16 | 1x 230 | 1-7 | 1x 6 | 2667 | 9-13 | 1x 7.9 |
| display | BV EI 541 1122 | 16 | 1x 230 | 1-7 | 1x 7.5 | 2134 | 9-13 | 1x 9.7 |
| display | BV EI 541 1123 | 16 | 1x 230 | 1-7 | 1x 9 | 1778 | 9-13 | 1x 11.7 |
| display | BV EI 541 1124 | 16 | 1x 230 | 1-7 | 1x 12 | 1333 | 9-13 | 1x 15.2 |
| display | BV EI 541 1125 | 16 | 1x 230 | 1-7 | 1x 15 | 1067 | 9-13 | 1x 19.1 |
| display | BV EI 541 1126 | 16 | 1x 230 | 1-7 | 1x 18 | 889 | 9-13 | 1x 22.3 |
| display | BV EI 541 1128 | 16 | 1x 230 | 1-7 | 2x 6 | 1334 | 8-9/13-14 | 2x 7.9 |
| display | BV EI 541 1129 | 16 | 1x 230 | 1-7 | 2x 7.5 | 1067 | 8-9/13-14 | 2x 9.7 |
| display | BV EI 541 1130 | 16 | 1x 230 | 1-7 | 2x 9 | 889 | 8-9/13-14 | 2x 11.7 |
| display | BV EI 541 1131 | 16 | 1x 230 | 1-7 | 2x 12 | 667 | 8-9/13-14 | 2x 15.2 |
| display | BV EI 541 1132 | 16 | 1x 230 | 1-7 | 2x 15 | 534 | 8-9/13-14 | 2x 19.1 |
| display | BV EI 541 1150 | 16 | 1x 230 | 1-7 | 2x 18 | 445 | 8-9/13-14 | 2x 22.3 |

back to sizes

| data sheet | article no. | power VA | primary voltage V | connecting pins prim. | secondary voltage V | current sec. mA | connecting pins sek. | |
|------------|----------------|----------|-------------------|-----------------------|---------------------|-----------------|----------------------|---------|
| display | BV EI 542 1151 | 20 | 1x 230 | 1-7 | 1x 6 | 3334 | 9-13 | 1x 7.7 |
| display | BV EI 542 1152 | 20 | 1x 230 | 1-7 | 2x 6 | 1667 | 8-9/13-14 | 2x 7.7 |
| display | BV EI 542 1153 | 20 | 1x 230 | 1-7 | 1x 7.5 | 2667 | 9-13 | 1x 9.5 |
| display | BV EI 542 1154 | 20 | 1x 230 | 1-7 | 2x 7.5 | 1334 | 8-9/13-14 | 2x 9.5 |
| display | BV EI 542 1155 | 20 | 1x 230 | 1-7 | 1x 9 | 2223 | 9-13 | 1x 11.4 |
| display | BV EI 542 1156 | 20 | 1x 230 | 1-7 | 2x 9 | 1112 | 8-9/13-14 | 2x 11.4 |
| display | BV EI 542 1157 | 20 | 1x 230 | 1-7 | 1x 12 | 1667 | 9-13 | 1x 15 |
| display | BV EI 542 1158 | 20 | 1x 230 | 1-7 | 2x 12 | 834 | 8-9/13-14 | 2x 15 |
| display | BV EI 542 1159 | 20 | 1x 230 | 1-7 | 1x 15 | 1334 | 9-13 | 1x 18.6 |
| display | BV EI 542 1160 | 20 | 1x 230 | 1-7 | 2x 15 | 667 | 8-9/13-14 | 2x 18.6 |
| display | BV EI 542 1161 | 20 | 1x 230 | 1-7 | 1x 18 | 1112 | 9-13 | 1x 21.8 |
| display | BV EI 542 1162 | 20 | 1x 230 | 1-7 | 2x 18 | 556 | 8-9/13-14 | 2x 21.8 |
| display | BV EI 542 1163 | 20 | 1x 230 | 1-7 | 1x 24 | 834 | 9-13 | 1x 29.5 |

back to sizes

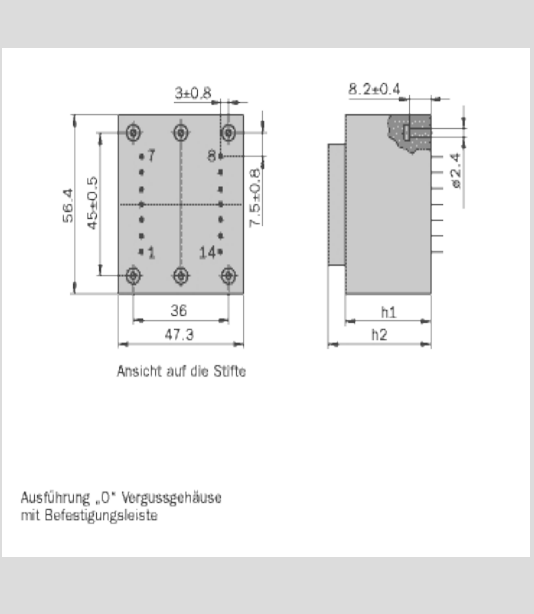
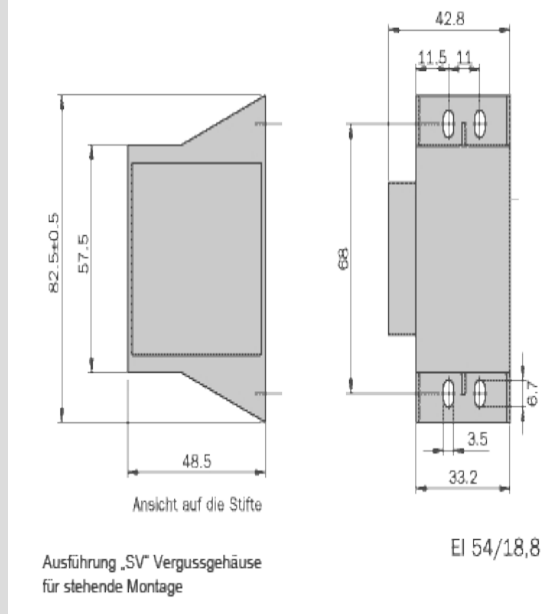
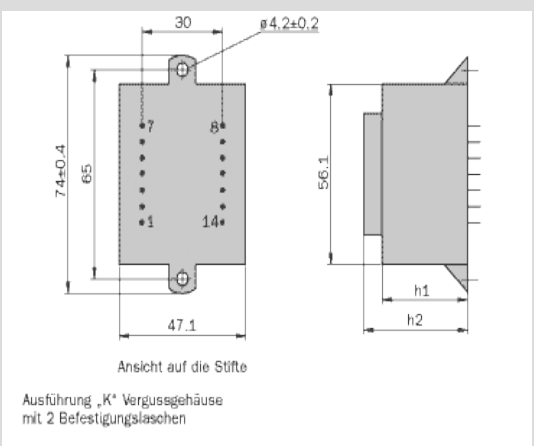
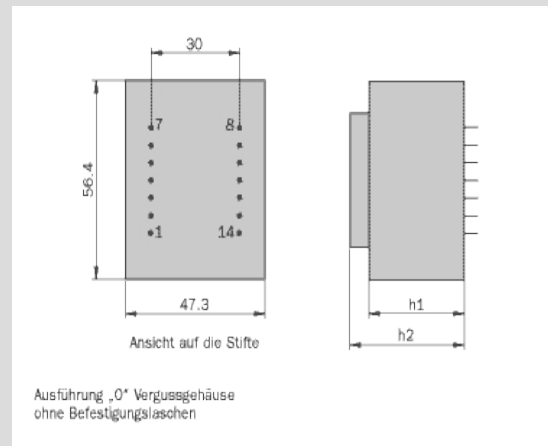
| data sheet | article no. | power VA | primary voltage V | connecting pins prim. | secondary voltage V | current sec. mA | connecting pins sek. | |
|------------|----------------|----------|-------------------|-----------------------|---------------------|-----------------|----------------------|---------|
| display | BV EI 543 1166 | 22 | 1x 230 | 1-7 | 1x 6 | 3667 | 9-13 | 1x 7.4 |
| display | BV EI 543 1167 | 22 | 1x 230 | 1-7 | 2x 6 | 1834 | 8-9/13-14 | 2x 7.4 |
| display | BV EI 543 1168 | 22 | 1x 230 | 1-7 | 1x 7.5 | 2934 | 9-13 | 1x 8.9 |
| display | BV EI 543 1169 | 22 | 1x 230 | 1-7 | 2x 7.5 | 1467 | 8-9/13-14 | 2x 8.9 |
| display | BV EI 543 1170 | 22 | 1x 230 | 1-7 | 1x 9 | 2445 | 9-13 | 1x 10.7 |
| display | BV EI 543 1171 | 22 | 1x 230 | 1-7 | 2x 9 | 1223 | 8-9/13-14 | 2x 10.7 |
| display | BV EI 543 1172 | 22 | 1x 230 | 1-7 | 1x 12 | 1834 | 9-13 | 1x 14.5 |
| display | BV EI 543 1173 | 22 | 1x 230 | 1-7 | 2x 12 | 917 | 8-9/13-14 | 2x 14.5 |
| display | BV EI 543 1174 | 22 | 1x 230 | 1-7 | 1x 15 | 1467 | 9-13 | 1x 17.9 |
| display | BV EI 543 1175 | 22 | 1x 230 | 1-7 | 2x 15 | 734 | 8-9/13-14 | 2x 17.9 |
| display | BV EI 543 1176 | 22 | 1x 230 | 1-7 | 1x 18 | 1223 | 9-13 | 1x 21 |
| display | BV EI 543 1177 | 22 | 1x 230 | 1-7 | 2x 18 | 612 | 8-9/13-14 | 2x 21 |
| display | BV EI 543 1178 | 22 | 1x 230 | 1-7 | 1x 24 | 917 | 9-13 | 1x 28 |

back to sizes

Individual EI 54 transformer version

EI 54 transformers, custom-made versions. - Dimensions without tolerances ± 0,3 mm

Parallel to the cataloged EI 54 series transformers, HAHN also produces other variants, e. g. with integrated thermo fuse or thermo switch, other housing-, fixing- and connective options as well as non-encapsulated transformers.



We also supply other dimensions and performance data. Ask us, we shall be glad to meet your special requirements!

X-ON Electronics

Largest Supplier of Electrical and Electronic Components

Click to view similar products for [Current Transformers](#) category:

Click to view products by [Hahn](#) manufacturer:

Other Similar products are found below :

[MP3500](#) [BV UI 302 0156](#) [45029](#) [BV EI 302 2863](#) [BV EI 303 2809](#) [BV EI 303 3060](#) [BV EI 305 2309](#) [BV EI 306 3604](#) [BV EI 481 1295](#) [BV EI 481 1325](#) [BV UI 301 0133](#) [BV UI 302 0144](#) [BV UI 302 0161](#) [BV UI 304 0019](#) [BV UI 304 0129](#) [BV UI 304 0159](#) [BV UI 304 0173](#) [TI-EF16-2X4V-4W](#) [SPCT62/40150/5AVA3CL1](#) [SPCT62/30100/5AVA1CL1](#) [SPCT62/3075/5AVA1CL3](#) [SPCT62/40150/5AVA1.5CL1](#) [SPCT62/40200/5AVA2.5CL0.5](#) [SPCT62/40300/5AVA3CL0.5](#) [CTD-KIT](#) [44013](#) [44017](#) [44021](#) [44098](#) [44101](#) [44134](#) [44171](#) [44174](#) [44178](#) [44180](#) [44248](#) [44250](#) [44278](#) [44339](#) [44340](#) [44373](#) [44375](#) [44376](#) [44378](#) [44379](#) [44436](#) [44831](#) [B82801B0925A200](#) [PA3655NL](#) [PA3828NL](#)