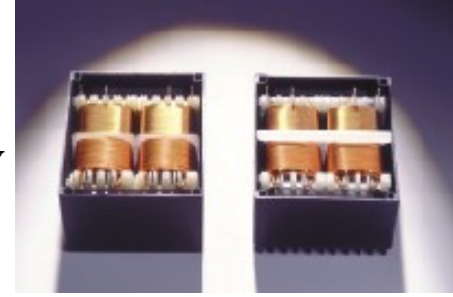


The HAHN UI 39 Series

Quality and efficiency in series



COMPACT DESIGN AND CONVINCING LONG-TERM DURABILITY

HAHN - flat transformers UI 21, UI 30, UI 39, UI 48

performance up to max. 30 VA	highest security durability
temperature class ta 70°C/B, non short-circuit-proof	high dielectric strength
with ENEC 05-, KEMAKEUR-, CSA and UL mark	self-extinguishing cast housing and sealing material
vacuum encapsulated, bobbin with two chambers	quality is individually tested and certified
excellent reaction to temperature changes	packaging unit: 30 pcs

The standard programme ranging from 1.0 - 60 VA Designed to match the VDE 0551/EN 61558-regulations, HAHN flat transformers provide the highest level of safety and reliability in all fields of the electric supply industry, manufacturing industry and product technology in ambient temperatures up to 70 Celsius degrees. HAHN-Transformers are high-quality products meeting all demands on high-tech equipment.

Of course, all products of this programme have been fully tested, vacuum casted and tested at a primary and secondary voltage of 6000 V. (VDE 0551 and CE 15 demand no more than 4000 V.) Leakage distance and sparking distance in air are at least 10 mm. Temperature stability class ta 70/B according to VDE 0551 § 13, EN 61558 and CE 15.



power: 1,2/10/14/18/24/30 VA
ta 70/B acc. to VDE 0551/EN 61558



secondary double voltage:
bridge: 14 - 17



circuit for 110 V, 115 V, or 120 V respectively
bridge: 1 - 8 and 3 - 10
circuit for 220 V, 230 V, or 240 V respectively
bridge: 3 - 8

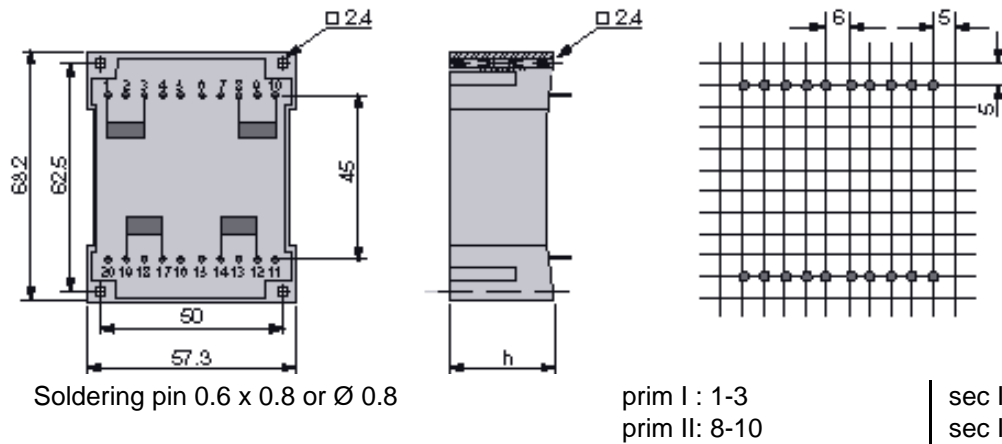
secondary double power:
bridge: 12 - 17 and 14 - 19



testing voltage: 6000 V

View looking onto pins

Dimensions without tolerances $\pm 0,3$ mm



article no. BV	power (ta 70/B)	size h (mm)	approx. weight in grs.	shipping-unit per box
BV UI 392	10.0 VA	23.0	290	30
BV UI 393	14.0 VA	25.2	330	30
BV UI 394	18.0 VA	28.5	390	30
BV UI 395	24.0 VA	32.0	460	30
BV UI 396	30.0 VA	36.0	550	30

Any product from this series with 2x115 V primary voltage may be delivered the following day if ordered before 12:00 o'clock CET.



article no. BV	power (ta 70/B)	size h (mm)	approx. weight in grs.	shipping-unit per box
BV UI 391	1.2 VA	11	120	30

data sheet	article no.	power VA	primary voltage V	connecting pins prim.	secondary voltage V	current sec. mA	connecting pins sek.	no-load voltage V
---	BV UI 391 0031	1.2	2x 115	1-3/8-10	2x 6	100	12-14/17-19	2x 9.2
---	BV UI 391 0032	1.2	2x 115	1-3/8-10	2x 9	66	12-14/17-19	2x 13.1
---	BV UI 391 0033	1.2	2x 115	1-3/8-10	2x 12	50	12-14/17-19	2x 18.4
---	BV UI 391 0034	1.2	2x 115	1-3/8-10	2x 15	40	12-14/17-19	2x 22.4
---	BV UI 391 0035	1.2	2x 115	1-3/8-10	2x 18	33	12-14/17-19	2x 26.1
---	BV UI 391 0036	1.2	2x 115	1-3/8-10	2x 21	29	12-14/17-19	2x 30.6

secondary fuse: external secondary PTC-resistors

[back to sizes](#)

Any product from this series with 2x115 V primary voltage may be delivered the following day if ordered before 12:00 o'clock CET.



article no. BV	power (ta 70/B)	size h (mm)	approx. weight in grs.	shipping-unit per box
----------------	-----------------	-------------	------------------------	-----------------------

BV UI 392	10.0 VA	23.0	290	30
----------------	---------	------	-----	----

data sheet	article no.	power VA	primary voltage V	connecting pins prim.	secondary voltage V	current sec. mA	connecting pins sek.	no-load voltage V
---	BV UI 392 0007	10	2x 110	1-3/8-10	2x 6	833	12-14/17-19	2x 8.2
---	BV UI 392 0008	10	2x 110	1-3/8-10	2x 9	556	12-14/17-19	2x 11.9
---	BV UI 392 0009	10	2x 110	1-3/8-10	2x 12	416	12-14/17-19	2x 16.4
---	BV UI 392 0010	10	2x 110	1-3/8-10	2x 15	333	12-14/17-19	2x 19.3
---	BV UI 392 0011	10	2x 110	1-3/8-10	2x 18	277	12-14/17-19	2x 23.8
---	BV UI 392 0012	10	2x 110	1-3/8-10	2x 21	238	12-14/17-19	2x 27.2

secondary fuse: external secondary PTC-resistors

data sheet	article no.	power VA	primary voltage V	connecting pins prim.	secondary voltage V	current sec. mA	connecting pins sek.	no-load voltage V
---	BV UI 392 0076	10	2x 115	1-3/8-10	2x 9	556	12-14/17-19	2x 11.9
---	BV UI 392 0077	10	2x 115	1-3/8-10	2x 15	333	12-14/17-19	2x 19.3
---	BV UI 392 0092	10	2x 115	1-3/8-10	2x 6	833	12-14/17-19	2x 8.2
---	BV UI 392 0093	10	2x 115	1-3/8-10	2x 12	416	12-14/17-19	2x 16.4
---	BV UI 392 0094	10	2x 115	1-3/8-10	2x 18	277	12-14/17-19	2x 23.8
---	BV UI 392 0095	10	2x 115	1-3/8-10	2x 21	238	12-14/17-19	2x 27.2

secondary fuse: external secondary PTC-resistors

[back to sizes](#)

Any product from this series with 2x115 V primary voltage may be delivered the following day if ordered before 12:00 o'clock CET.



article no. BV	power (ta 70/B)	size h (mm)	approx. weight in grs.	shipping-unit per box
BV UI 393	14.0 VA	25.2	330	30

data sheet	article no.	power VA	primary voltage V	connecting pins prim.	secondary voltage V	current sec. mA	connecting pins sek.	no-load voltage V
---	BV UI 393 0001	14	2x 110	1-3/8-10	2x 6	833	12-14/17-19	2x 8.3
---	BV UI 393 0002	14	2x 110	1-3/8-10	2x 9	556	12-14/17-19	2x 11.9
---	BV UI 393 0003	14	2x 110	1-3/8-10	2x 12	416	12-14/17-19	2x 16.4
---	BV UI 393 0004	14	2x 110	1-3/8-10	2x 15	333	12-14/17-19	2x 19.3
---	BV UI 393 0005	14	2x 110	1-3/8-10	2x 18	277	12-14/17-19	2x 23.8
---	BV UI 393 0006	14	2x 110	1-3/8-10	2x 21	238	12-14/17-19	2x 27.2

secondary fuse: external secondary PTC-resistors

data sheet	article no.	power VA	primary voltage V	connecting pins prim.	secondary voltage V	current sec. mA	connecting pins sek.	no-load voltage V
---	BV UI 393 0062	14	2x 115	1-3/8-10	2x 18	389	12-14/17-19	2x 23.8
---	BV UI 393 0074	14	2x 115	1-3/8-10	2x 9	778	12-14/17-19	2x 11.9
---	BV UI 393 0078	14	2x 115	1-3/8-10	2x 15	467	12-14/17-19	2x 19.3
---	BV UI 393 0081	14	2x 115	1-3/8-10	2x 12	583	12-14/17-19	2x 16.4
---	BV UI 393 0085	14	2x 115	1-3/8-10	2x 6	1166	12-14/17-19	2x 8.3
---	BV UI 393 0096	14	2x 115	1-3/8-10	2x 21	334	12-14/17-19	2x 27.2

secondary fuse: external secondary PTC-resistors

[back to sizes](#)

Any product from this series with 2x115 V primary voltage may be delivered the following day if ordered before 12:00 o'clock CET.



article no. BV	power (ta 70/B)	size h (mm)	approx. weight in grs.	shipping-unit per box
BV UI 394	18.0 VA	28.5	390	30

data sheet	article no.	power VA	primary voltage V	connecting pins prim.	secondary voltage V	current sec. mA	connecting pins sek.	no-load voltage V
---	BV UI 394 0013	18	2x 110	1-3/8-10	2x 6	1500	12-14/17-19	2x 8.7
---	BV UI 394 0014	18	2x 110	1-3/8-10	2x 9	1000	12-14/17-19	2x 13
---	BV UI 394 0015	18	2x 110	1-3/8-10	2x 12	750	12-14/17-19	2x 16.7
---	BV UI 394 0016	18	2x 110	1-3/8-10	2x 15	600	12-14/17-19	2x 20.4
---	BV UI 394 0017	18	2x 110	1-3/8-10	2x 18	500	12-14/17-19	2x 23.6
---	BV UI 394 0018	18	2x 110	1-3/8-10	2x 21	428	12-14/17-19	2x 26.9
---	BV UI 394 0073	18	2x 110	1-3/8-10	2x 7.5	1200	12-14/17-19	2x 10.2

secondary fuse: external secondary PTC-resistors

data sheet	article no.	power VA	primary voltage V	connecting pins prim.	secondary voltage V	current sec. mA	connecting pins sek.	no-load voltage V
---	BV UI 394 0063	18	2x 115	1-3/8-10	2x 9	1000	12-14/17-19	2x 13
---	BV UI 394 0075	18	2x 115	1-3/8-10	2x 18	500	12-14/17-19	2x 23.6
---	BV UI 394 0086	18	2x 115	1-3/8-10	2x 6	1500	12-14/17-19	2x 8.7
---	BV UI 394 0087	18	2x 115	1-3/8-10	2x 12	750	12-14/17-19	2x 16.7
---	BV UI 394 0088	18	2x 115	1-3/8-10	2x 15	600	12-14/17-19	2x 20.4
---	BV UI 394 0097	18	2x 115	1-3/8-10	2x 21	428	12-14/17-19	2x 26.9

secondary fuse: external secondary PTC-resistors

data sheet	article no.	power VA	primary voltage V	connecting pins prim.	secondary voltage V	current sec. mA	connecting pins sek.	no-load voltage V
---	BV UI 394 0061	18	2x 120	1-3/8-10	2x 12	750	12-14/17-19	2x 16.7

secondary fuse: external secondary PTC-resistors

[back to sizes](#)

Any product from this series with 2x115 V primary voltage may be delivered the following day if ordered before 12:00 o'clock CET.



article no. BV	power (ta 70/B)	size h (mm)	approx. weight in grs.	shipping-unit per box
BV UI 395	24.0 VA	32.0	460	30

data sheet	article no.	power VA	primary voltage V	connecting pins prim.	secondary voltage V	current sec. mA	connecting pins sek.	no-load voltage V
---	BV UI 395 0019	24	2x 110	1-3/8-10	2x 6	2000	12-14/17-19	2x 7.8
---	BV UI 395 0020	24	2x 110	1-3/8-10	2x 9	1333	12-14/17-19	2x 11.4
---	BV UI 395 0021	24	2x 110	1-3/8-10	2x 12	1000	12-14/17-19	2x 14.9
---	BV UI 395 0022	24	2x 110	1-3/8-10	2x 15	800	12-14/17-19	2x 18.5
---	BV UI 395 0023	24	2x 110	1-3/8-10	2x 18	666	12-14/17-19	2x 22
---	BV UI 395 0024	24	2x 110	1-3/8-10	2x 21	571	12-14/17-19	2x 24.9

secondary fuse: external secondary PTC-resistors

data sheet	article no.	power VA	primary voltage V	connecting pins prim.	secondary voltage V	current sec. mA	connecting pins sek.	no-load voltage V
---	BV UI 395 0083	24	2x 115	1-3/8-10	2x 15	800	12-14/17-19	2x 18.5
---	BV UI 395 0089	24	2x 115	1-3/8-10	2x 6	2000	12-14/17-19	2x 7.8
---	BV UI 395 0091	24	2x 115	1-3/8-10	2x 12	1000	12-14/17-19	2x 14.9
---	BV UI 395 0098	24	2x 115	1-3/8-10	2x 9	1333	12-14/17-19	2x 11.4
---	BV UI 395 0099	24	2x 115	1-3/8-10	2x 18	666	12-14/17-19	2x 22
---	BV UI 395 0100	24	2x 115	1-3/8-10	2x 21	571	12-14/17-19	2x 24.9

secondary fuse: external secondary PTC-resistors

[back to sizes](#)

Any product from this series with 2x115 V primary voltage may be delivered the following day if ordered before 12:00 o'clock CET.



article no. BV	power (ta 70/B)	size h (mm)	approx. weight in grs.	shipping-unit per box
BV UI 396	30.0 VA	36.0	550	30

data sheet	article no.	power VA	primary voltage V	connecting pins prim.	secondary voltage V	current sec. mA	connecting pins sek.	no-load voltage V
---	BV UI 396 0025	30	2x 110	1-3/8-10	2x 6	2500	12-14/17-19	2x 8.1
---	BV UI 396 0026	30	2x 110	1-3/8-10	2x 9	1666	12-14/17-19	2x 11.3
---	BV UI 396 0027	30	2x 110	1-3/8-10	2x 12	1250	12-14/17-19	2x 15
---	BV UI 396 0028	30	2x 110	1-3/8-10	2x 15	1000	12-14/17-19	2x 18.6
---	BV UI 396 0029	30	2x 110	1-3/8-10	2x 18	833	12-14/17-19	2x 22.3
---	BV UI 396 0030	30	2x 110	1-3/8-10	2x 21	715	12-14/17-19	2x 24.9

secondary fuse: external secondary PTC-resistors

data sheet	article no.	power VA	primary voltage V	connecting pins prim.	secondary voltage V	current sec. mA	connecting pins sek.	no-load voltage V
---	BV UI 396 0079	30	2x 115	1-3/8-10	2x 12	1250	12-14/17-19	2x 15
---	BV UI 396 0080	30	2x 115	1-3/8-10	2x 18	833	12-14/17-19	2x 22.3
---	BV UI 396 0084	30	2x 115	1-3/8-10	2x 21	715	12-14/17-19	2x 24.9
---	BV UI 396 0101	30	2x 115	1-3/8-10	2x 6	2500	12-14/17-19	2x 8.1
---	BV UI 396 0102	30	2x 115	1-3/8-10	2x 9	1666	12-14/17-19	2x 11.3
---	BV UI 396 0103	30	2x 115	1-3/8-10	2x 15	1000	12-14/17-19	2x 18.6

secondary fuse: external secondary PTC-resistors

[back to sizes](#)

We also supply other dimensions and performance data.

Ask us, we shall be glad to meet your special requirements!

X-ON Electronics

Largest Supplier of Electrical and Electronic Components

Click to view similar products for [Current Transformers](#) category:

Click to view products by [Hahn](#) manufacturer:

Other Similar products are found below :

[MP3500](#) [BV UI 302 0156](#) [45029](#) [BV EI 302 2863](#) [BV EI 303 2809](#) [BV EI 303 3060](#) [BV EI 305 2309](#) [BV EI 306 3604](#) [BV EI 481 1295](#) [BV EI 481 1325](#) [BV UI 301 0133](#) [BV UI 302 0144](#) [BV UI 302 0161](#) [BV UI 304 0019](#) [BV UI 304 0129](#) [BV UI 304 0159](#) [BV UI 304 0173](#) [TI-EF16-2X4V-4W](#) [SPCT62/40150/5AVA3CL1](#) [SPCT62/30100/5AVA1CL1](#) [SPCT62/3075/5AVA1CL3](#) [SPCT62/40150/5AVA1.5CL1](#) [SPCT62/40200/5AVA2.5CL0.5](#) [SPCT62/40300/5AVA3CL0.5](#) [CTD-KIT](#) [44013](#) [44017](#) [44021](#) [44098](#) [44101](#) [44134](#) [44171](#) [44174](#) [44178](#) [44180](#) [44248](#) [44250](#) [44278](#) [44339](#) [44340](#) [44373](#) [44375](#) [44376](#) [44378](#) [44379](#) [44436](#) [44831](#) [B82801B0925A200](#) [PA3655NL](#) [PA3828NL](#)