

A: 35.2 mm (1.39)
B: 35.2 mm (1.39)

30.6 mm



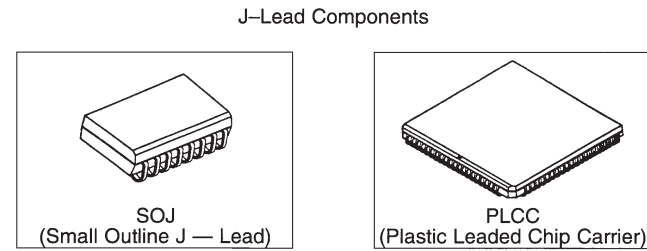
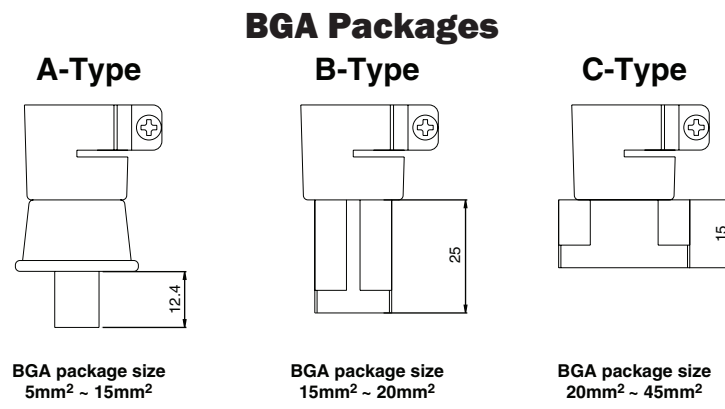
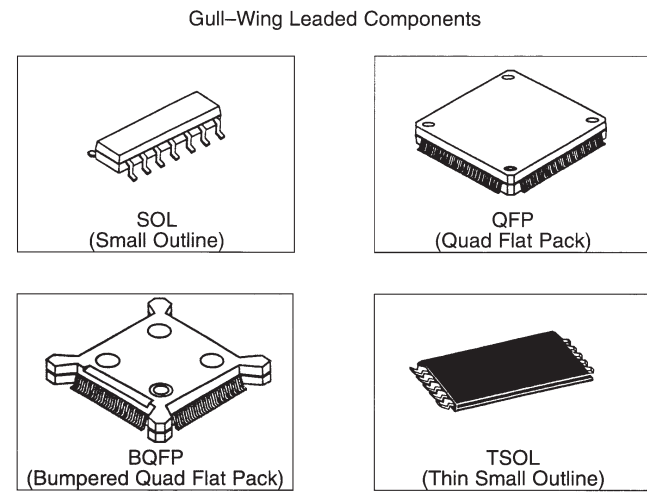
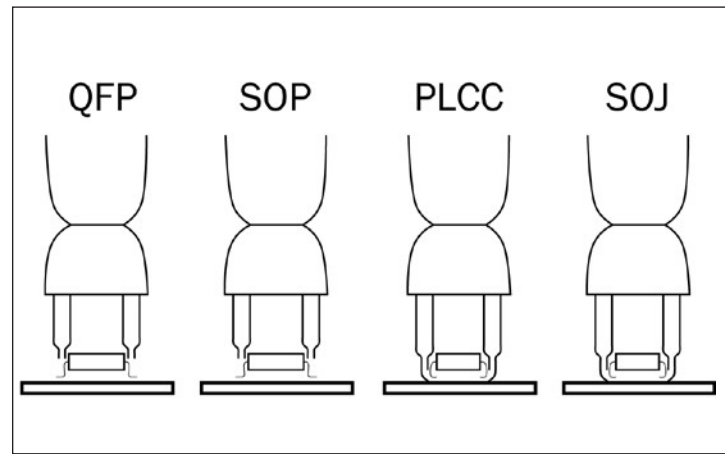
American Hakko Products, Inc. • 28920 Avenue Williams • Valencia • CA • 91355
Toll Free: (800) 88-HAKKO (42556) • Customer Service: (661) 294-0090 • Fax: (661) 294-0096
HakkoUSA.com



American Hakko Products, Inc.
Rev. 2004-10

NOZZLE CATALOG

Nozzle Shape for Surface Mount Component



Hakko 850/852 SMD Rework Station Line-up

Model 850



Model 850D (new model)



Model 852



Model 850B



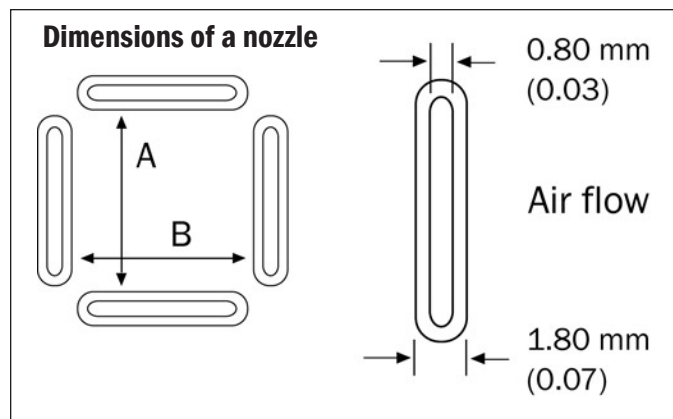
Table of Contents

Nozzle type/Part number	Page
Single Type	
*A1124B	4
*A1130	4
*A1142B	4
*A1190	5
*A1325	5
*A1191	5
*A1192	6
Gull Wing	
SOP	
*A1131	7
A1258B	7
*A1132	7
*A1133	8
*A1134	8
A1260B	8
A1257B	9
A1259B	9
TSOL	
A1185B	10
A1187B	10
A1186B	10
QFP	
A1125B	11
A1262B	11
A1126B	11
A1127B	12
A1128B	12
A1261B	12
A1129B	13
A1265B	13
A1263B	14
A1264B	14
A1215B	15

Note: Dimensions in () = inches.

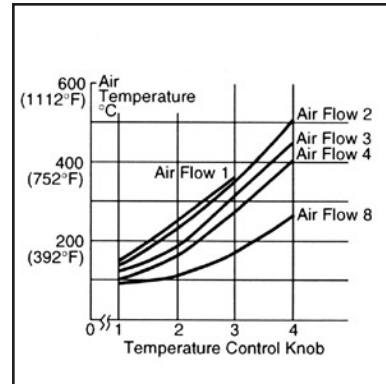
* Vacuum function inoperative when attaching the nozzle to Hakko 852.

Nozzle type/Part number	Page
Gull Wing (Continued)	
BQFP	
A1180B	16
A1181B	16
A1182B	17
A1203B	17
J Lead	
SOJ	
*A1183	18
A1184B	18
A1214B	18
PLCC	
A1139B	19
A1188B	19
A1140B	19
A1141B	20
A1135B	20
A1136B	21
A1137B	21
A1138B	22
A1189B	22
BGA	
A1470	23
A1471	23
A1472	23
A1473	23
A1474	23
A1475	24
A1476	24
A1477	24
A1478	24

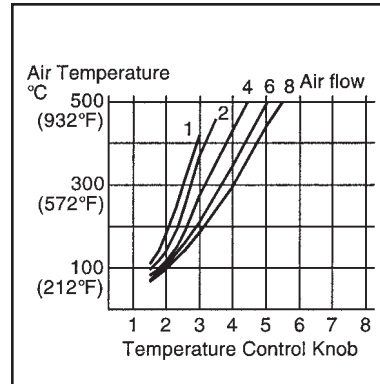


Single Type

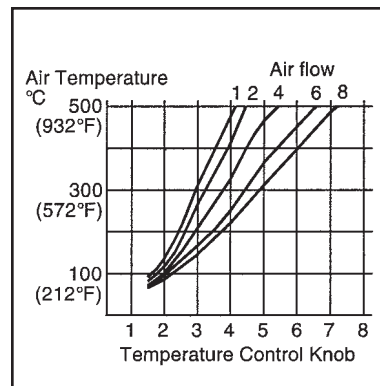
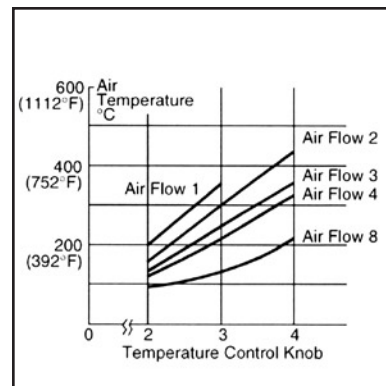
850 Temperature Chart



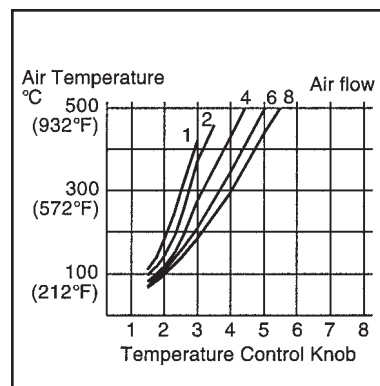
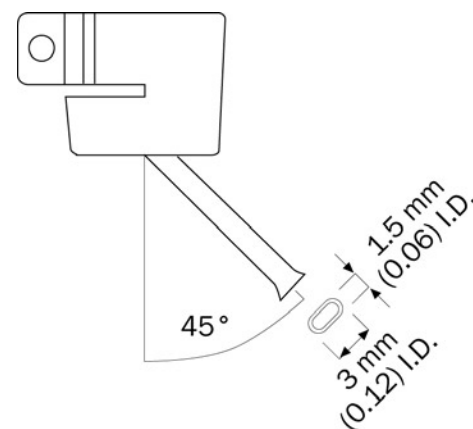
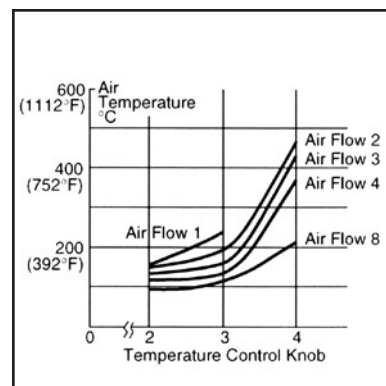
850B Temperature chart



A1124B : Single Ø2.5 (0.10)



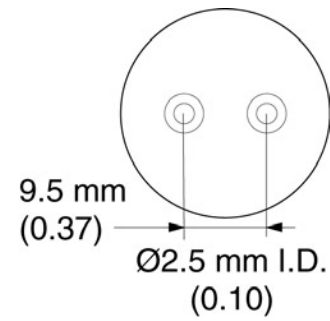
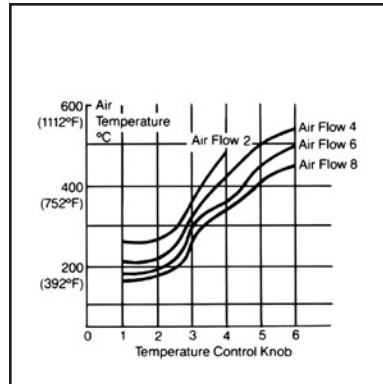
A1130 : Single Ø4.4 (0.17)



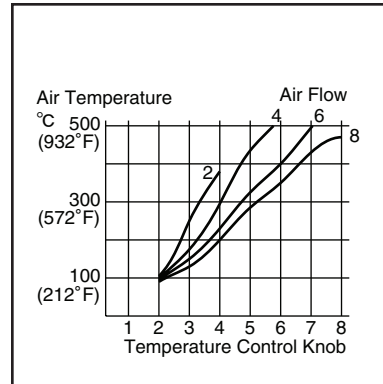
A1142B : Bent single 1.5 x 3 (0.06 x 0.12)

Single Type

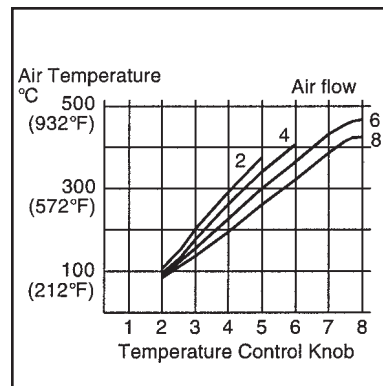
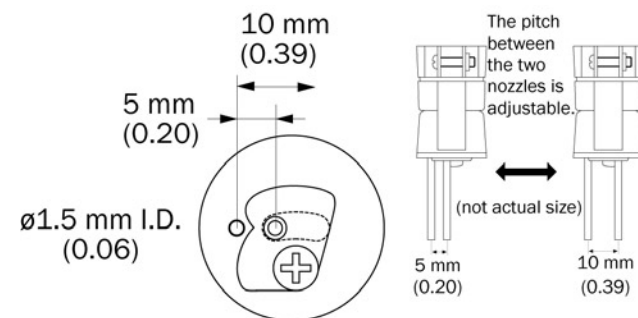
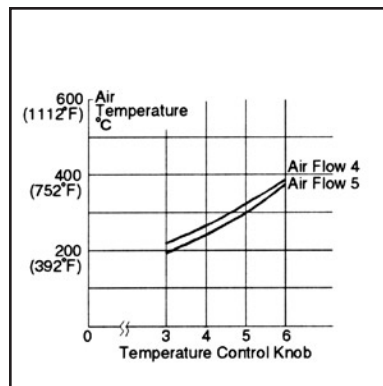
850 Temperature Chart



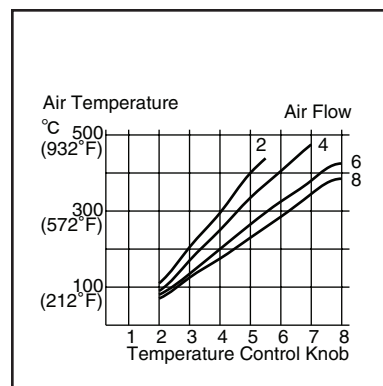
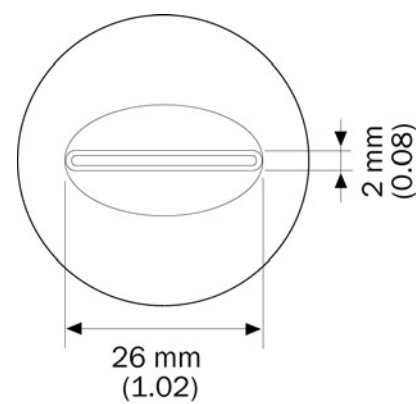
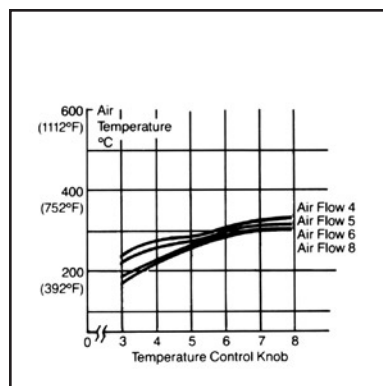
850B Temperature Chart



A1190 : Dual single 2.5 x 9.5 pitch (0.10 x 0.37)



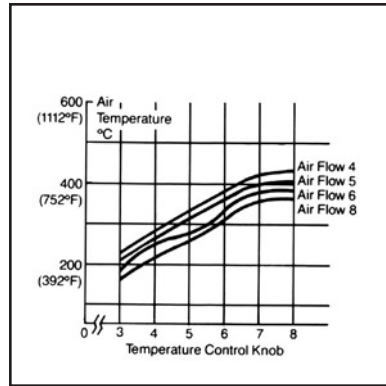
A1325 : Dual single adjustable Ø1.5 x 5-10 (0.06 x 0.20-0.39)



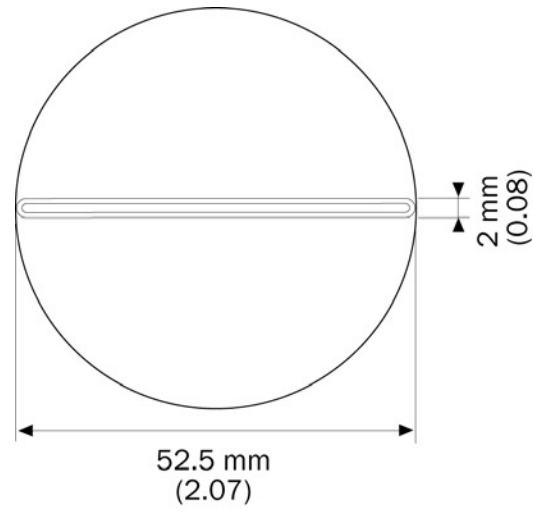
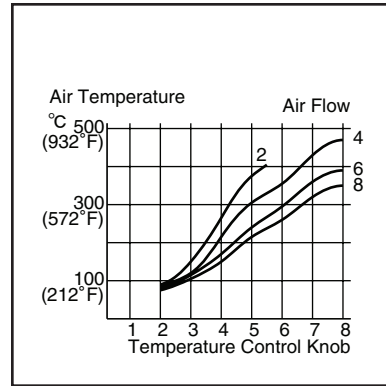
A1191 : SIP 25L (0.98)

Single Type

850 Temperature Chart

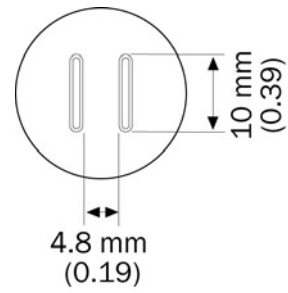
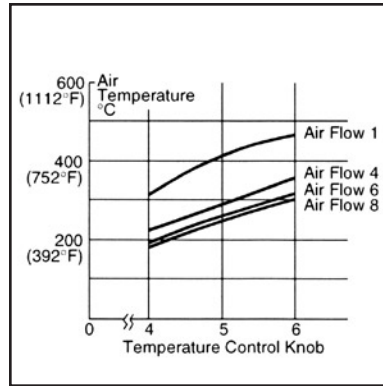


850B Temperature chart

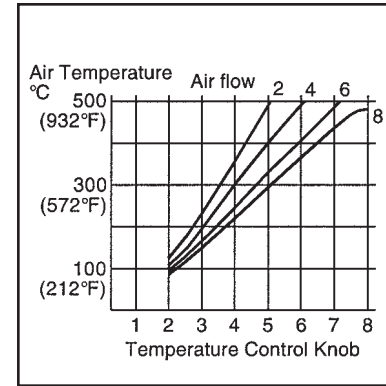


A1192 : SIP 50L (1.97)

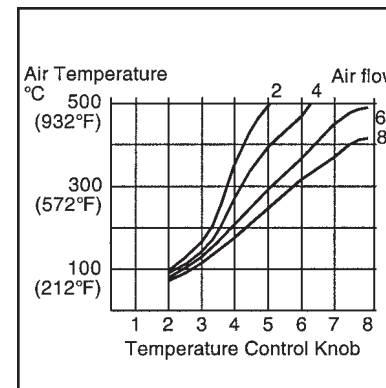
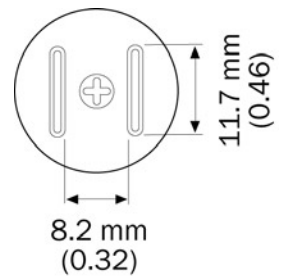
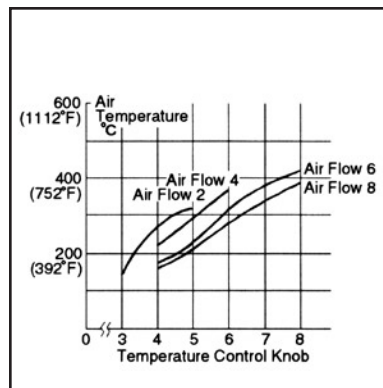
850 Temperature Chart



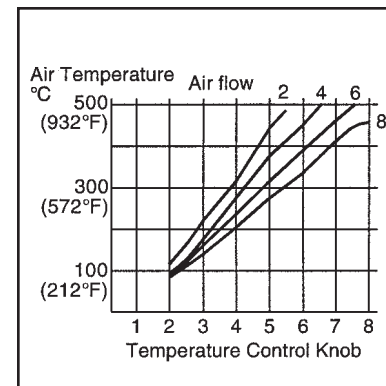
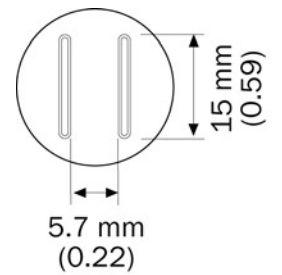
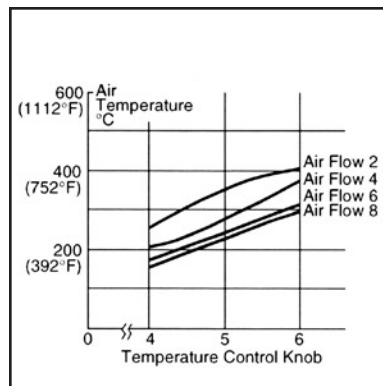
850B Temperature Chart



A1131 : SOP 4.4 x 10 (0.17 x 0.39)



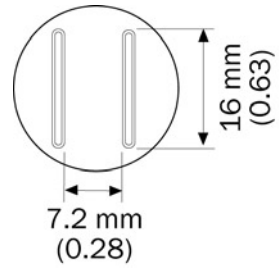
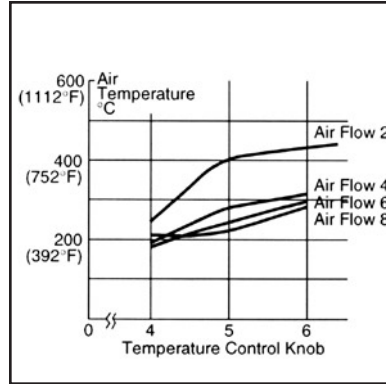
A1258B : SOP 7.6 x 12.7 (0.30 x 0.50)



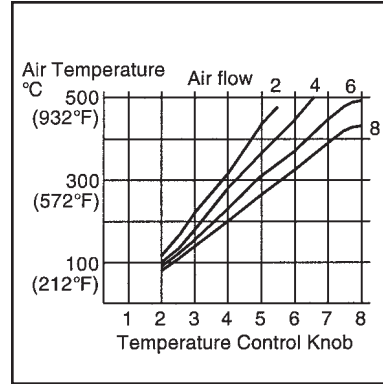
A1132 : SOP 5.6 x 13 (0.22 x 0.51)

Gull Wing - SOP

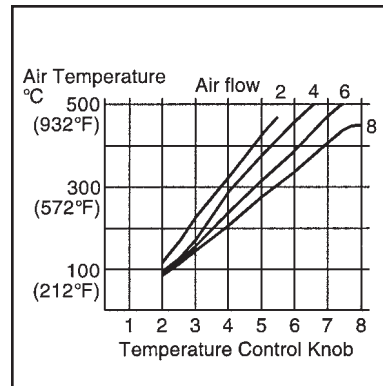
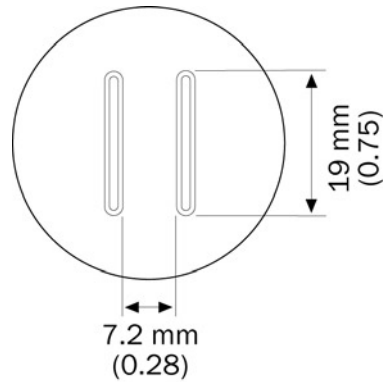
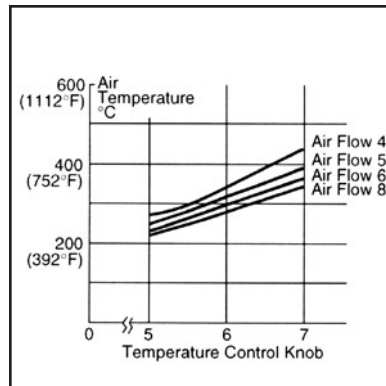
850 Temperature Chart



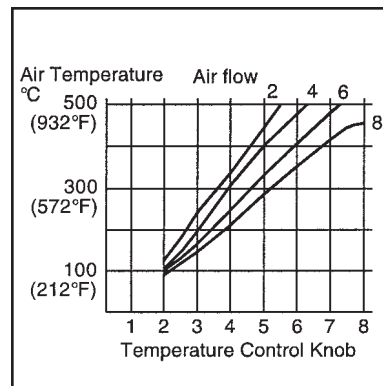
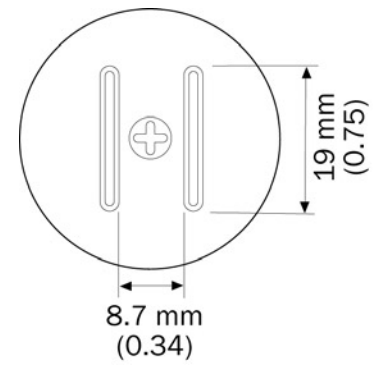
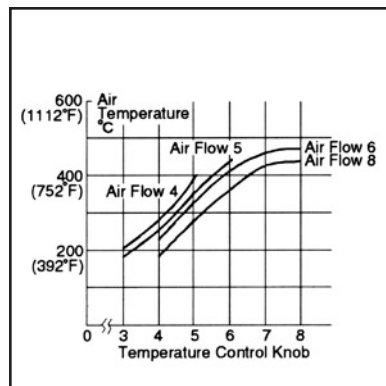
850B Temperature chart



A1133 : SOP 7.5 x 15 (0.30 x 0.59)



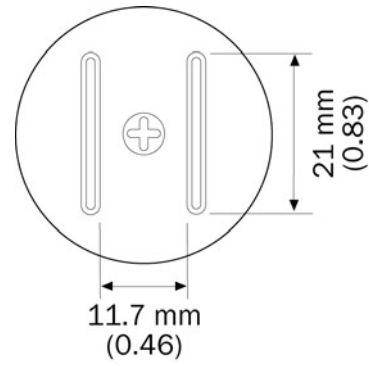
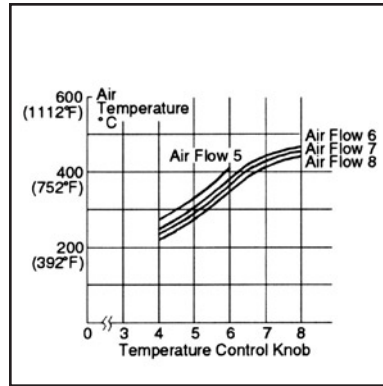
A1134 : SOP 7.5 x 18 (0.30 x 0.71)



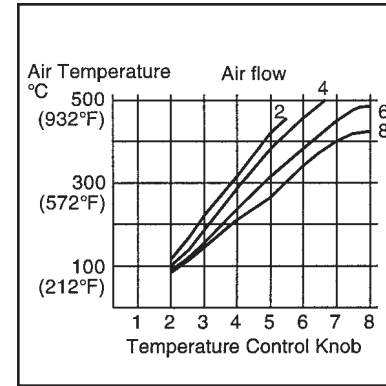
A1260B : SOP 8.6 x 18 (0.34 x 0.71)

Gull Wing - SOP

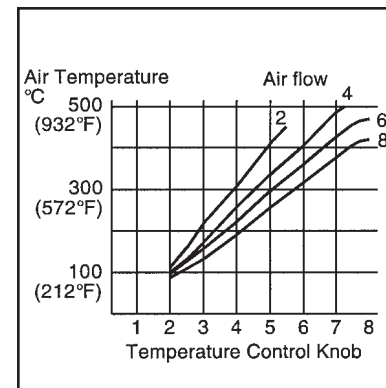
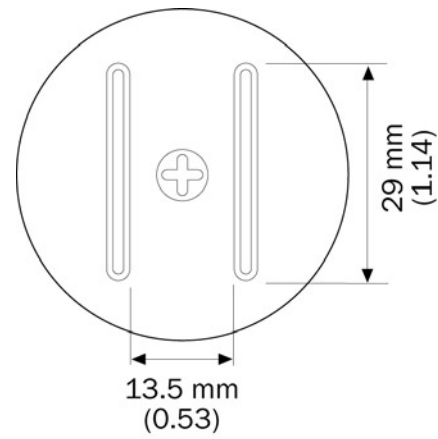
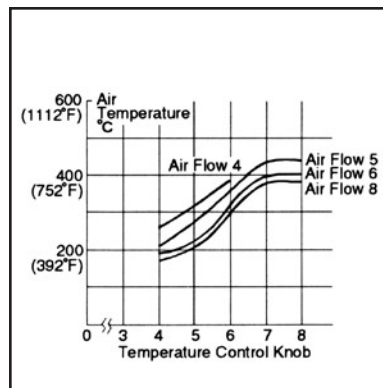
850 Temperature Chart



850B Temperature Chart



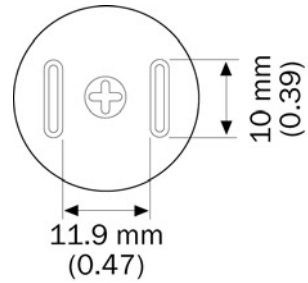
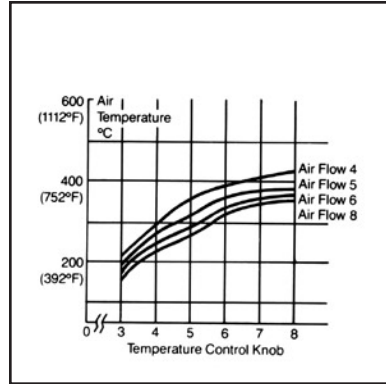
A1257B : SOP 11 x 21 (0.43 x 0.83)



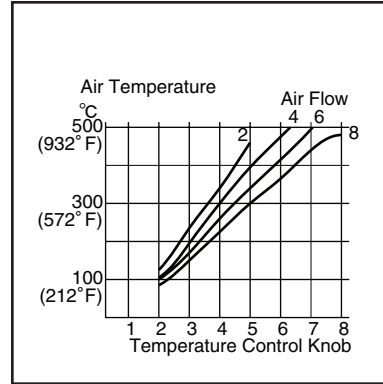
A1259B : SOP 13 x 28 (0.51 x 1.10)

Gull Wing - TSOL

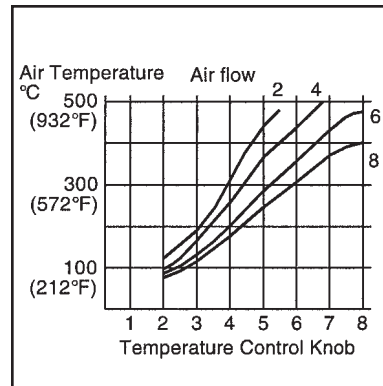
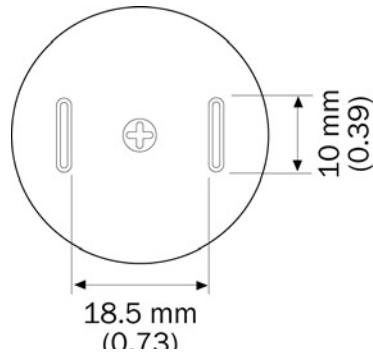
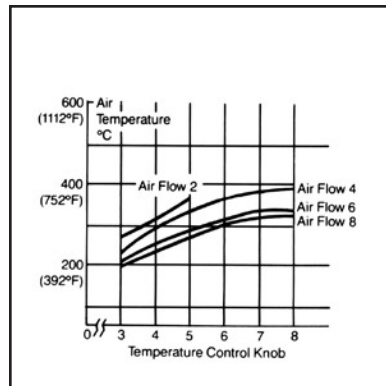
850 Temperature Chart



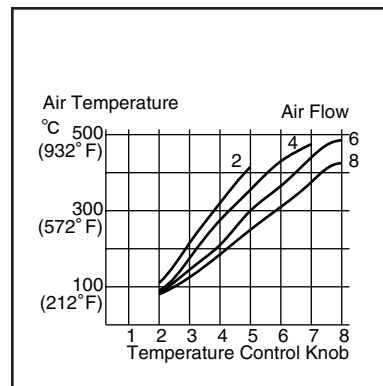
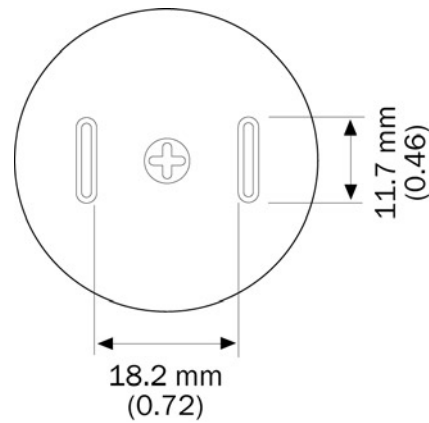
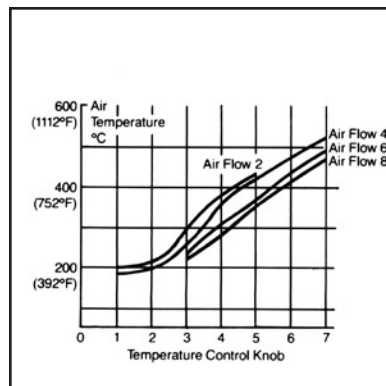
850B Temperature chart



A1185B : TSOL 13 x 10 (0.51 x 0.39)

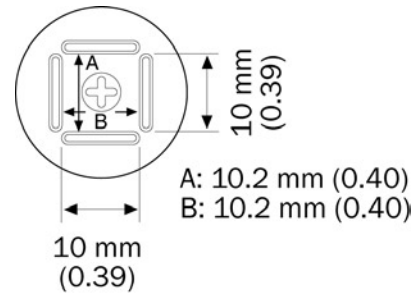
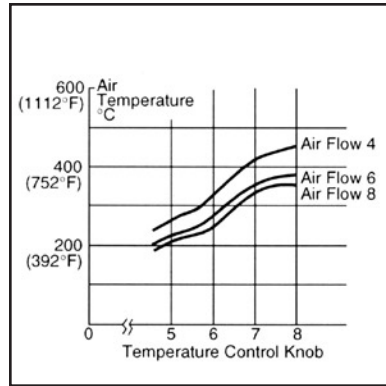


A1187B : TSOL 18.5 x 8 (0.73 x 0.31)

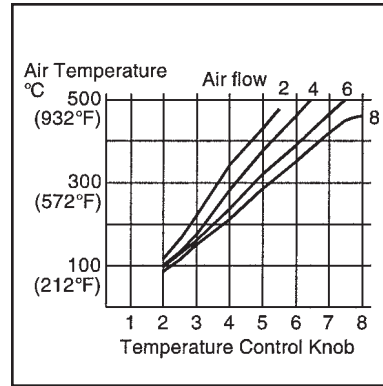


A1186B : TSOL 18 x 10 (0.71 x 0.39)

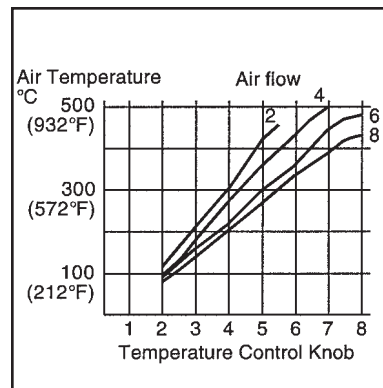
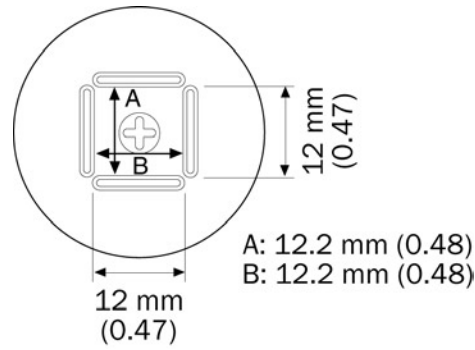
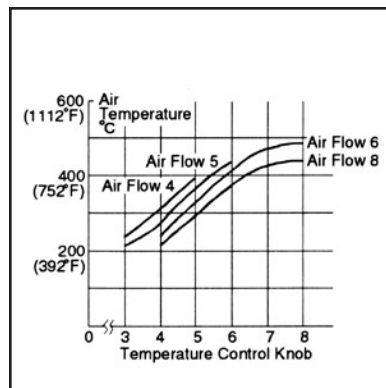
850 Temperature Chart



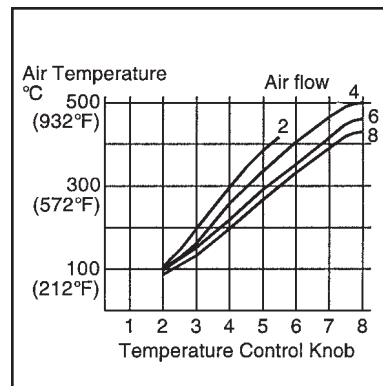
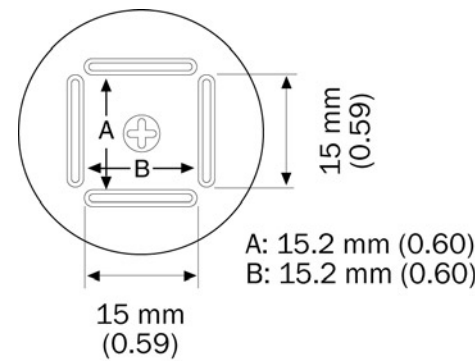
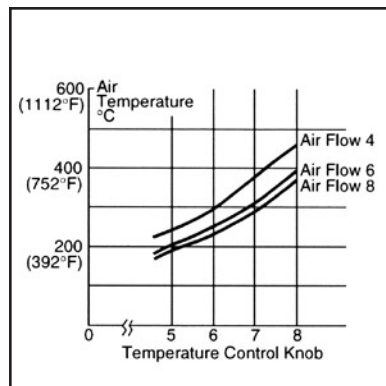
850B Temperature Chart



A1125B : QFP 10 x 10 (0.39 x 0.39)



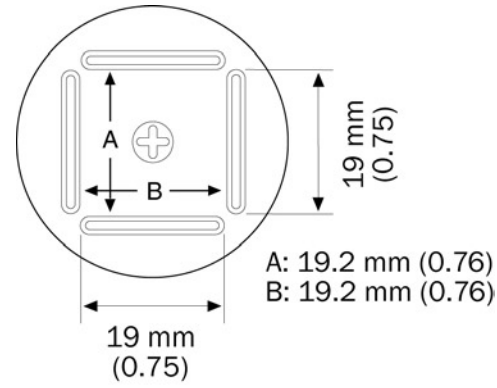
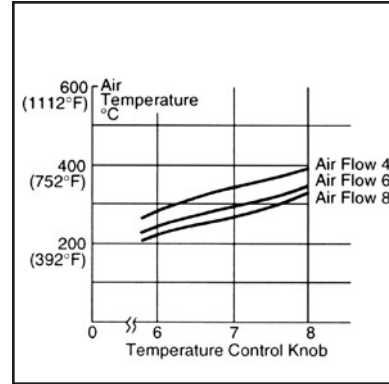
A1262B : QFP 12 x 12 (0.47 x 0.47)



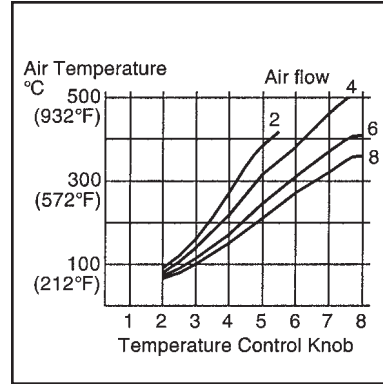
A1126B : QFP 14 x 14 (0.55 x 0.55)

Gull Wing - QFP

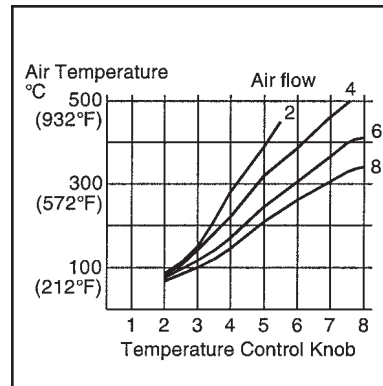
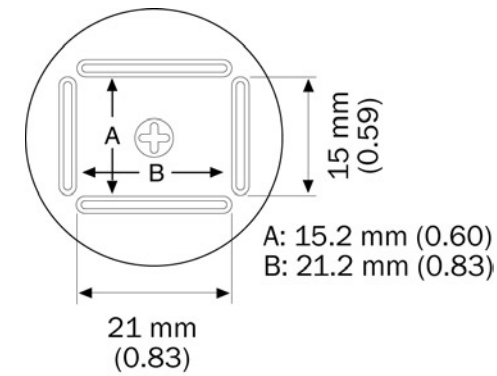
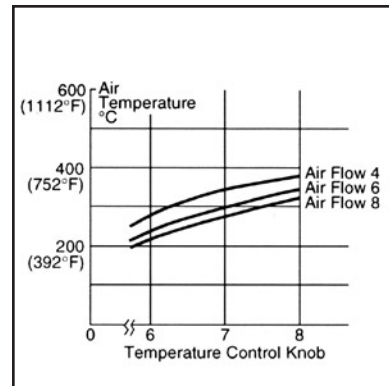
850 Temperature Chart



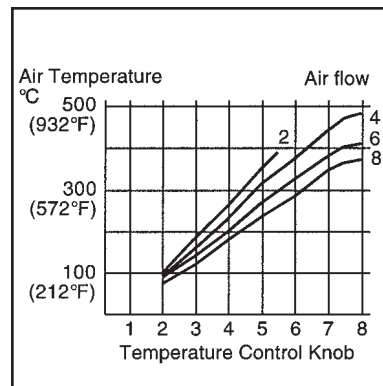
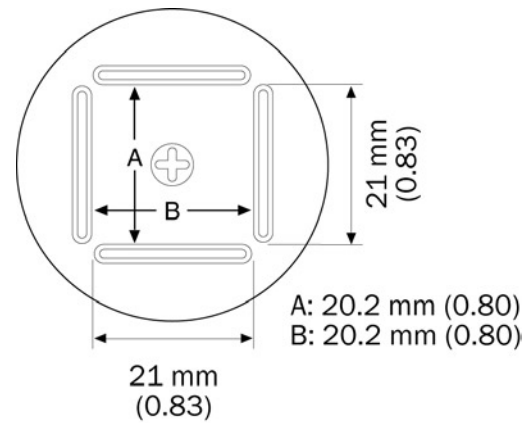
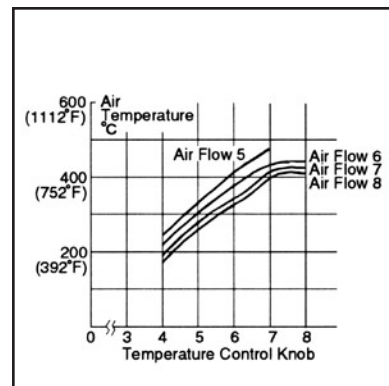
850B Temperature chart



A1127B : QFP 17.5 x 17.5 (0.69 x 0.69)

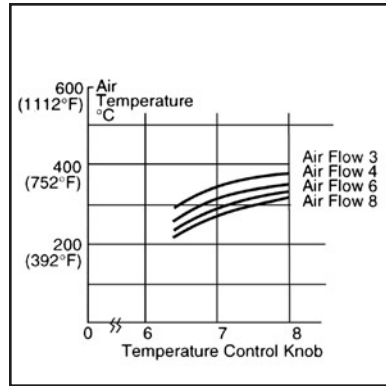


A1128B : QFP 14 x 20 (0.55 x 0.79)

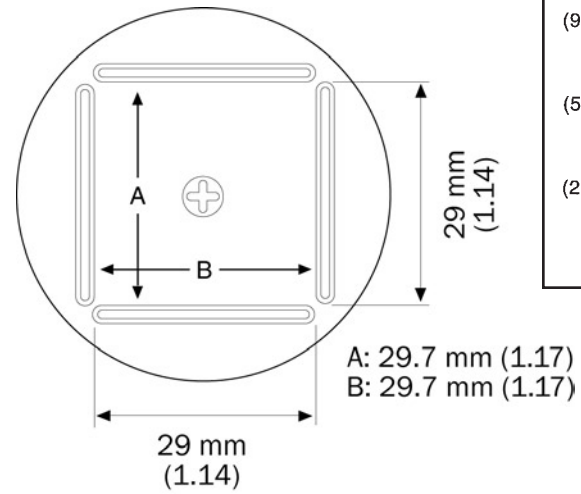
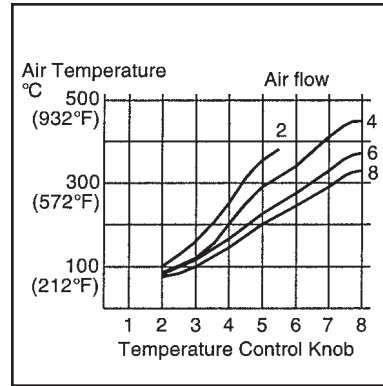


A1261B : QFP 20 x 20 (0.79 x 0.79)

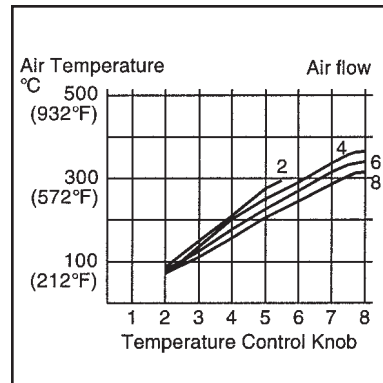
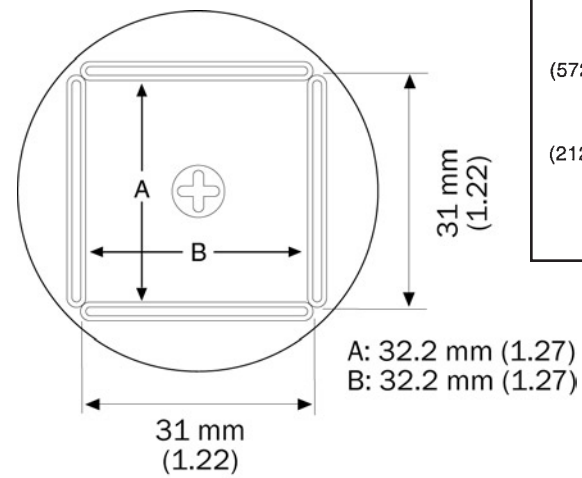
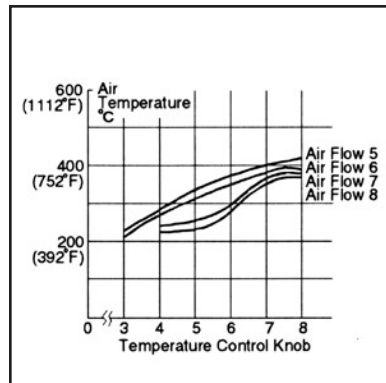
850 Temperature Chart



850B Temperature Chart



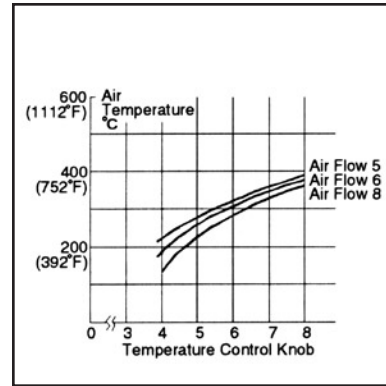
A1129B : QFP 28 x 28 (1.10 x 1.10)



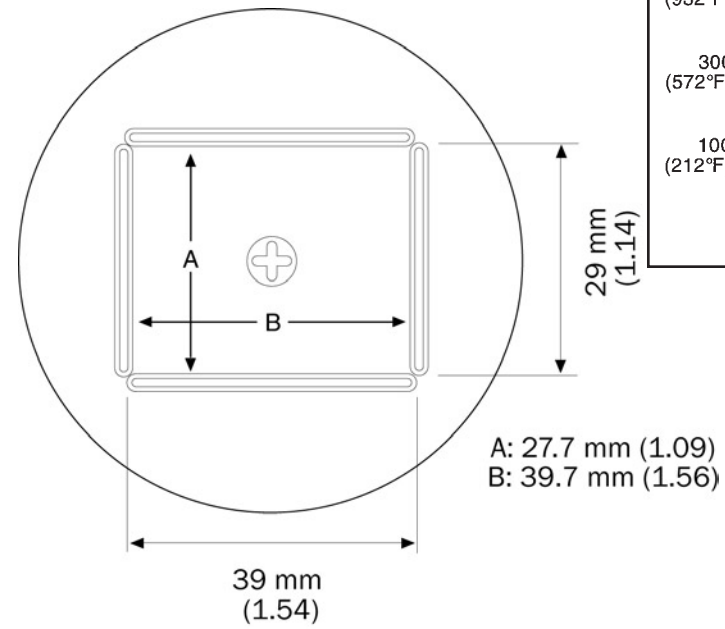
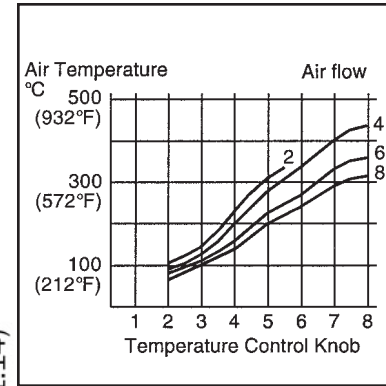
A1265B : QFP 32 x 32 (1.26 x 1.26)

Gull Wing - QFP

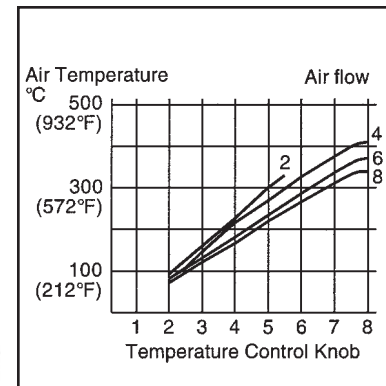
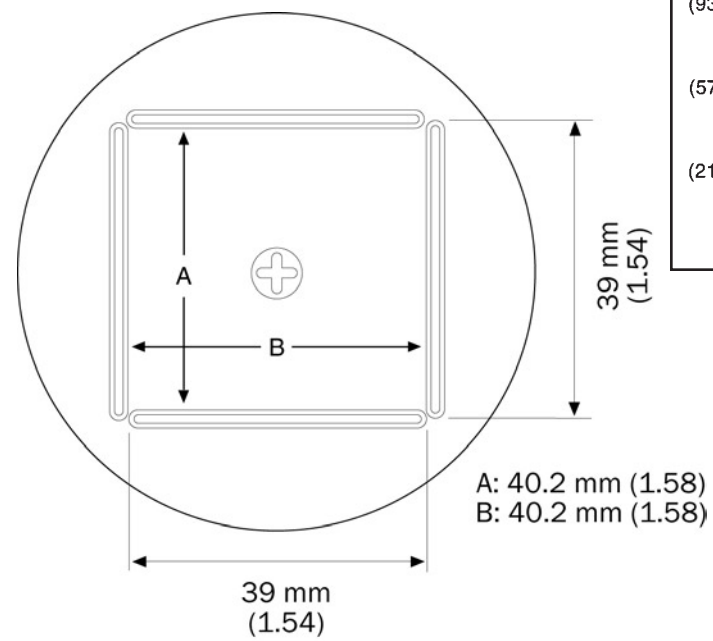
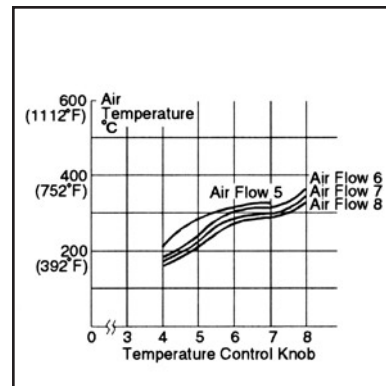
850 Temperature Chart



850B Temperature chart

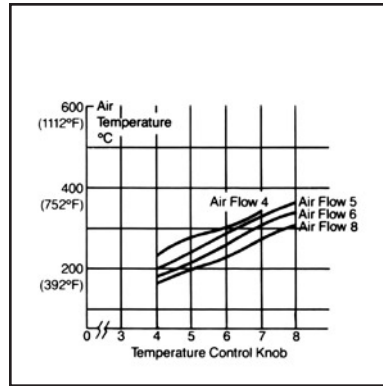


A1263B : QFP 28 x 40 (1.10 x 1.57)

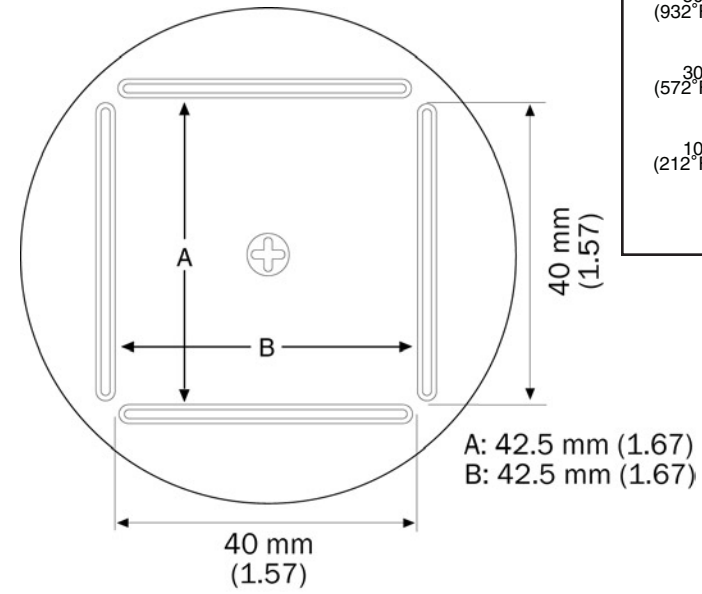
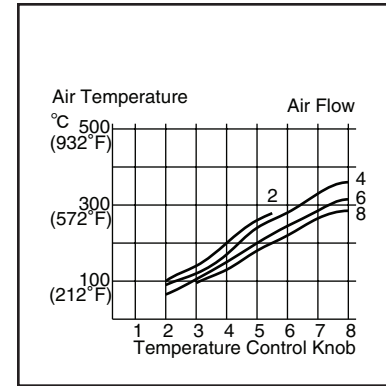


A1264B : QFP 40 x 40 (1.57 x 1.57)

850 Temperature Chart



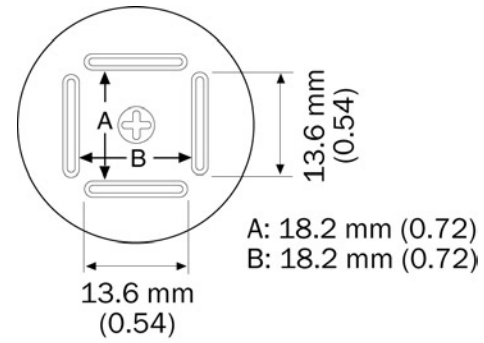
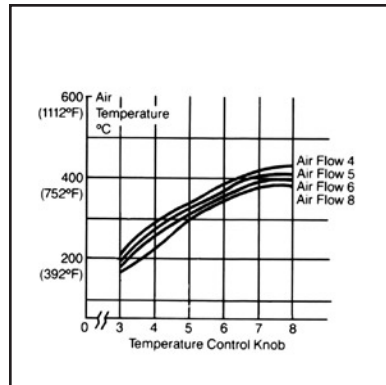
850B Temperature Chart



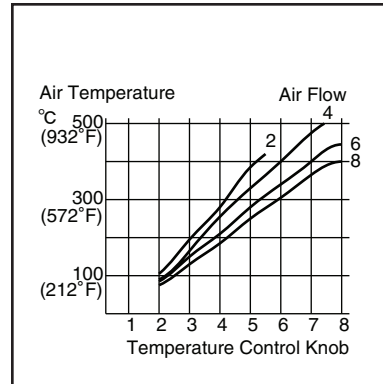
A1215B : QFP 42.5 x 42.5 (1.67 x 1.67)

Gull Wing - BQFP

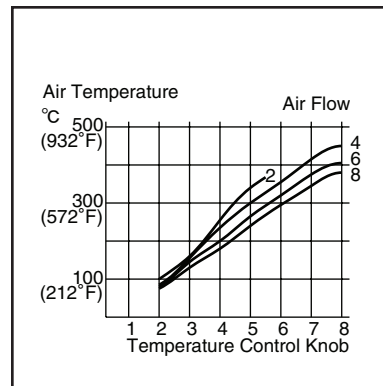
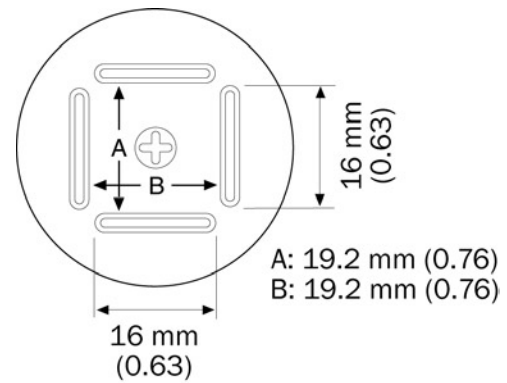
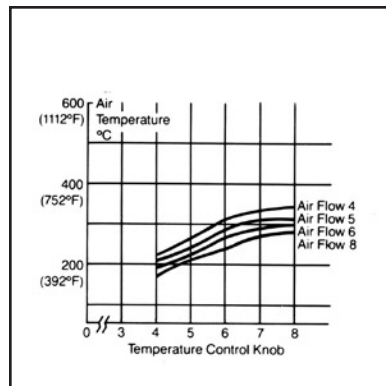
850 Temperature Chart



850B Temperature chart

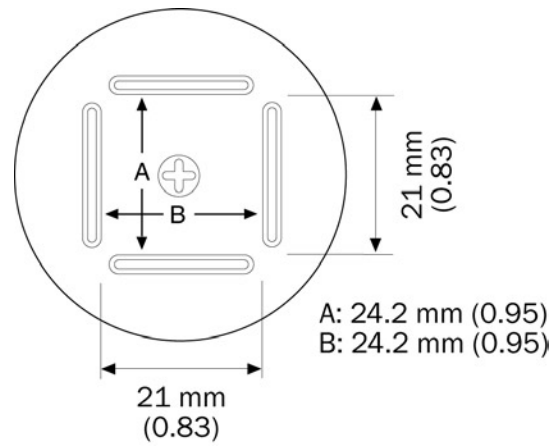
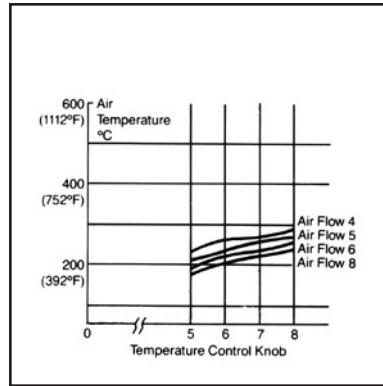


A1180B : BQFP 17 x 17 (0.67 x 0.67)

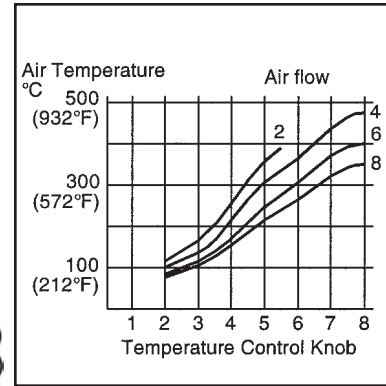


A1181B : BQFP 19 x 19 (0.75 x 0.75)

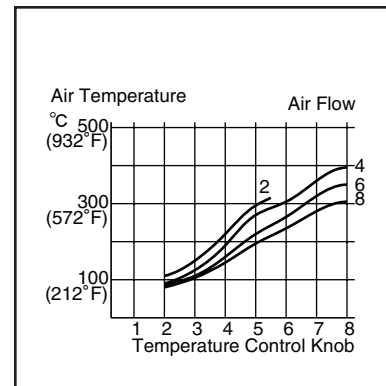
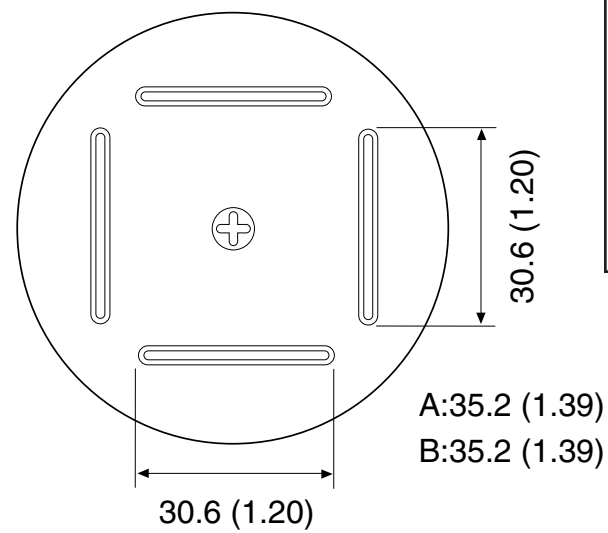
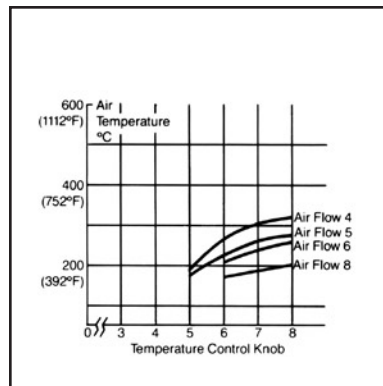
850 Temperature Chart



850B Temperature Chart



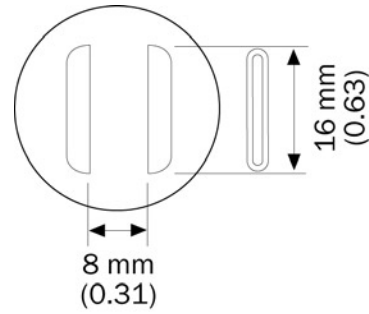
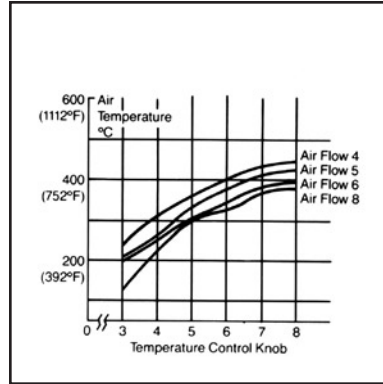
A1182B : BQFP 24 x 24 (0.94 x 0.94)



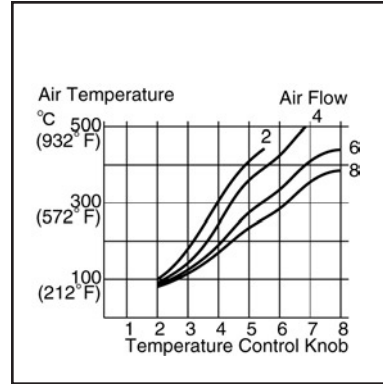
A1203B : BQFP 35 x 35 (1.38 x 1.38)

J Lead - SOJ

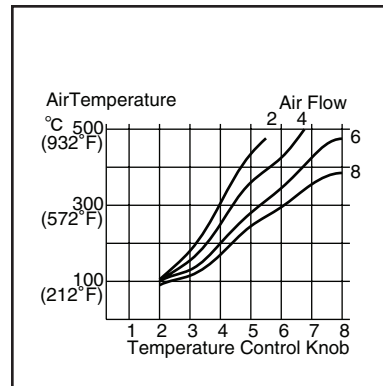
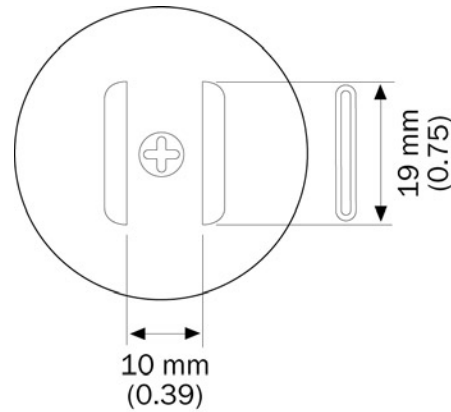
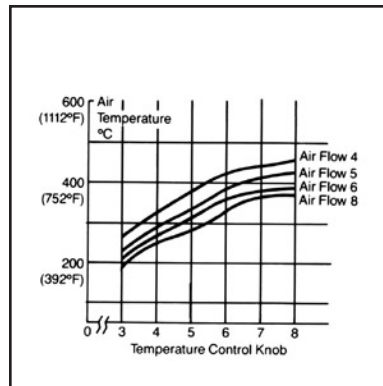
850 Temperature Chart



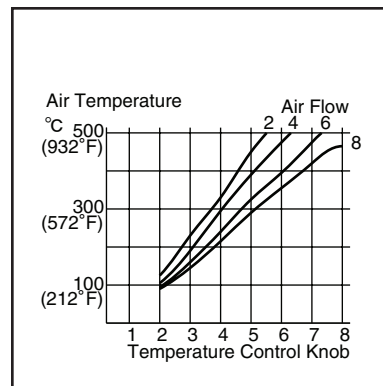
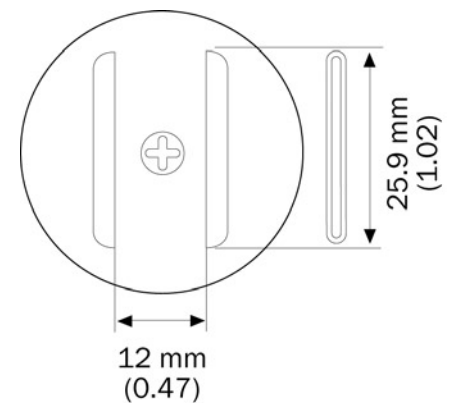
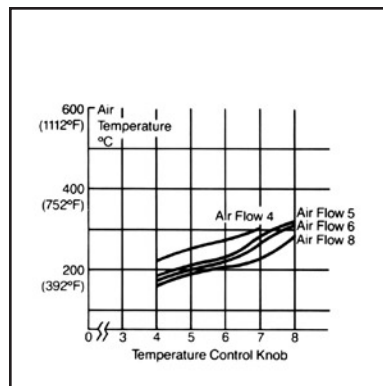
850B Temperature chart



A1183 : SOJ 15 x 8 (0.59 x 0.31)

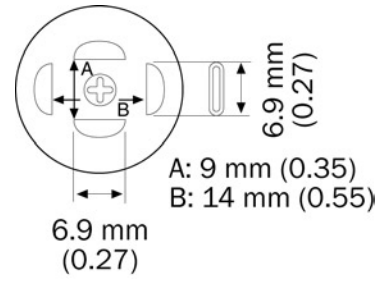
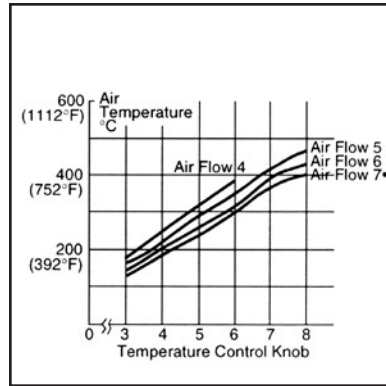


A1184B : SOJ 18 x 8 (0.71 x 0.31)

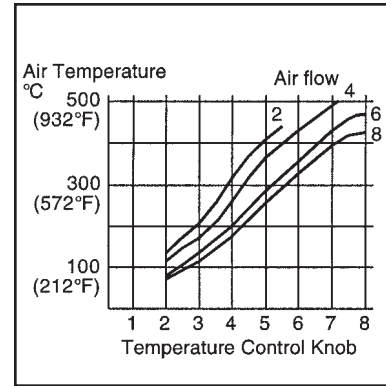


A1214B : SOJ 10 x 26 (0.39 x 1.02)

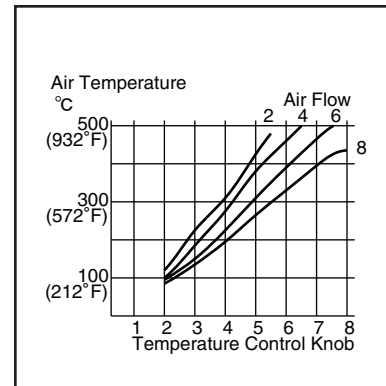
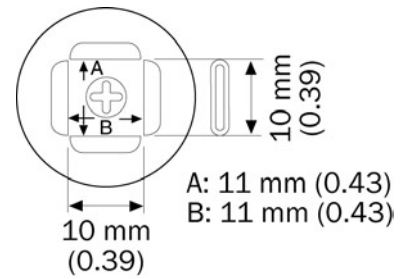
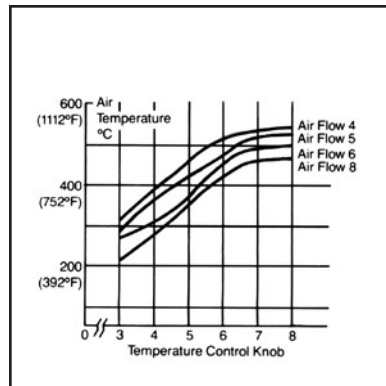
850 Temperature Chart



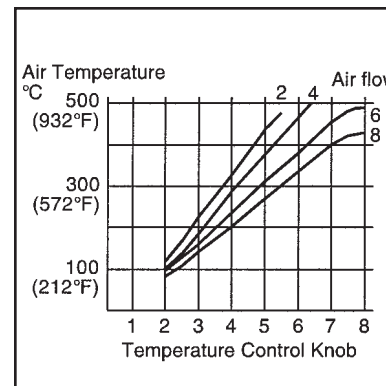
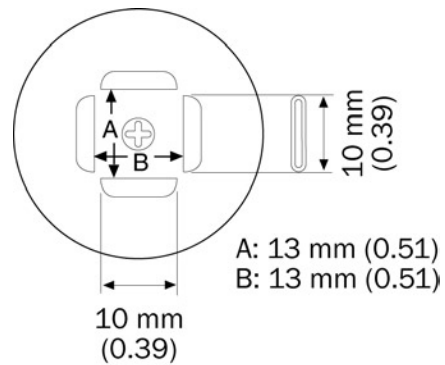
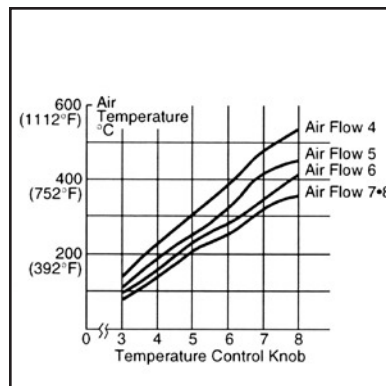
850B Temperature Chart



A1139B : PLCC 12.5 x 7.3 (0.49 x 0.29) (18pins)



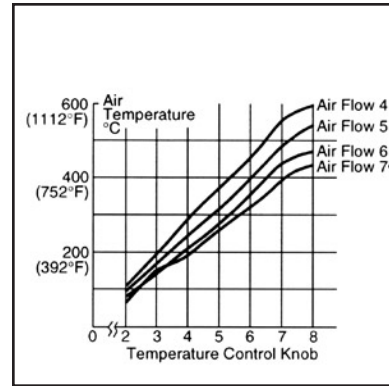
A1188B : PLCC 9 x 9 (0.35 x 0.35) (20pins)



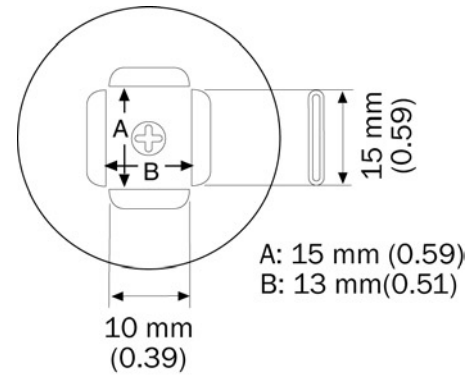
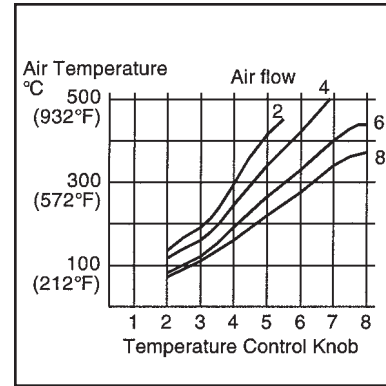
A1140B : PLCC 11.5 x 11.5 (0.45 x 0.45) (28pins)

J Lead - PLCC

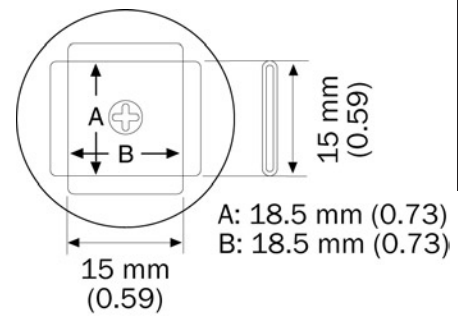
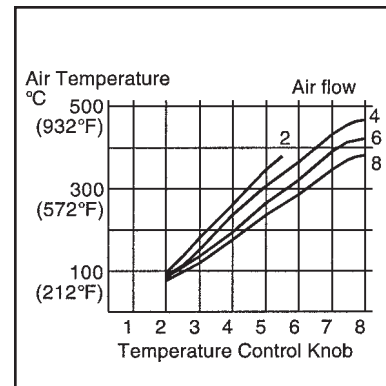
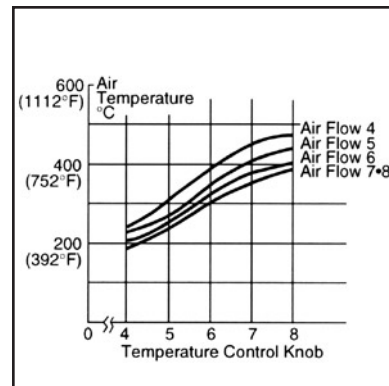
850 Temperature Chart



850B Temperature chart

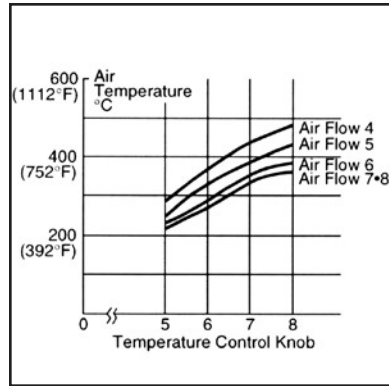


A1141B : PLCC 11.5 x 14 (0.45 x 0.55) (32pins)

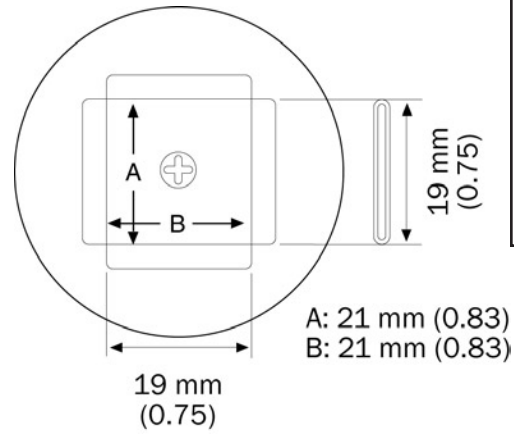
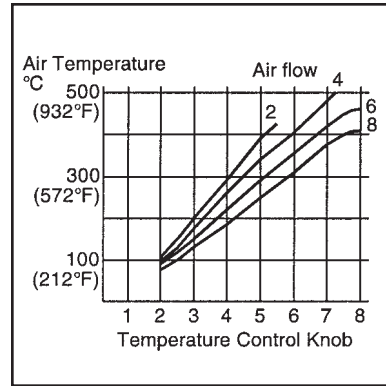


A1135B : PLCC 17.5 x 17.5 (0.69 x 0.69) (44pins)

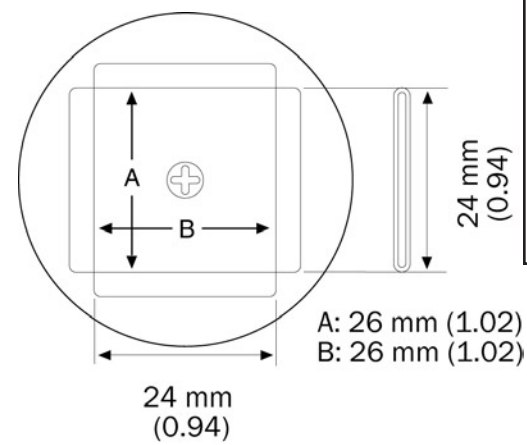
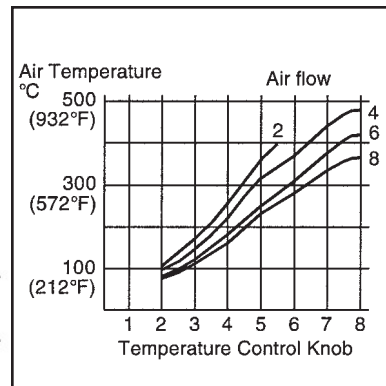
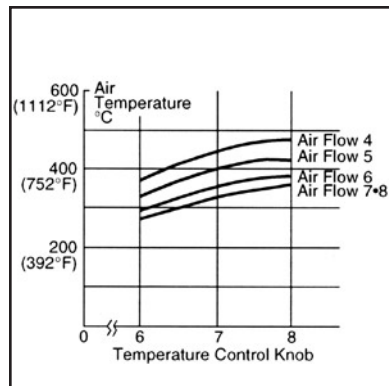
850 Temperature Chart



850B Temperature Chart



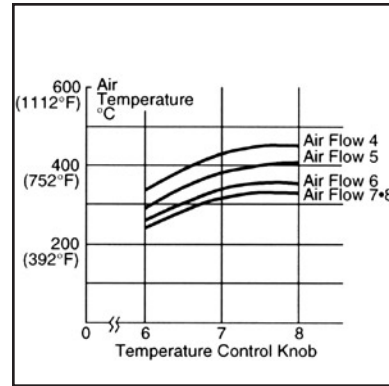
A1136B : PLCC 20 x 20 (0.79 x 0.79) (52pins)



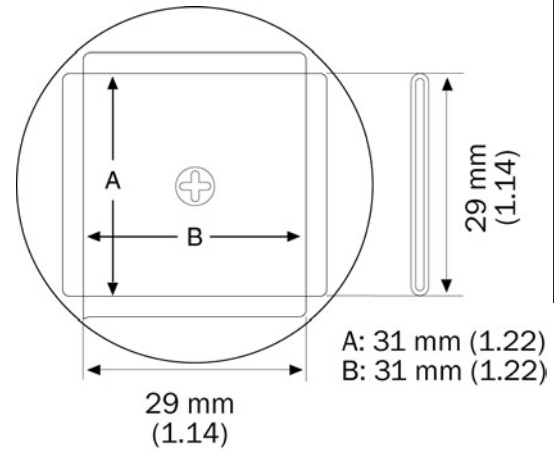
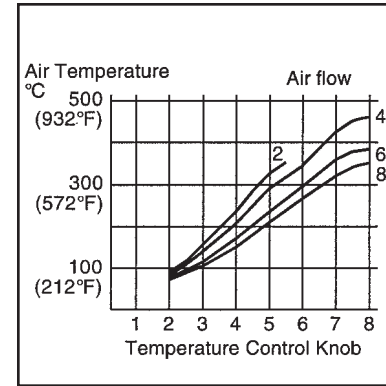
A1137B : PLCC 25 x 25 (0.98 x 0.98) (68pins)

J Lead - PLCC

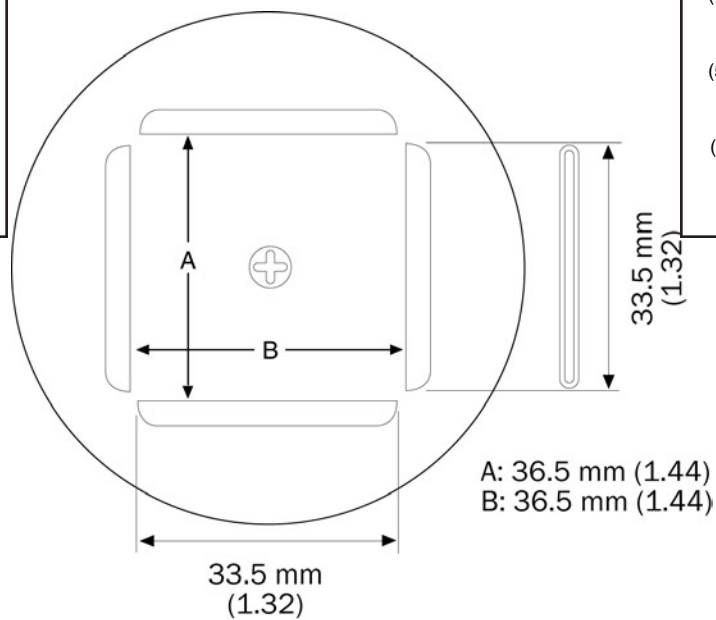
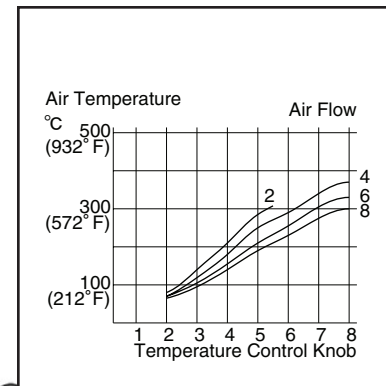
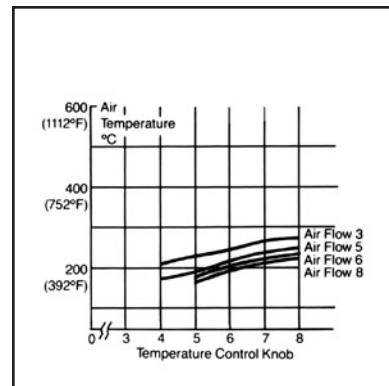
850 Temperature Chart



850B Temperature chart



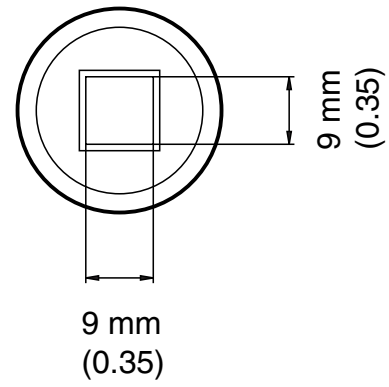
A1138B : PLCC 30 x 30 (1.18 x 1.18) (84pins)



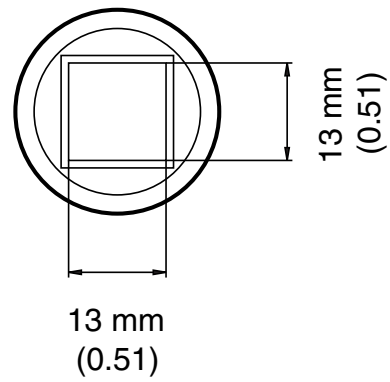
A1189B : PLCC 34 x 34 (1.34 x 1.34) (100pins)

BGA - Type-A and Type-B

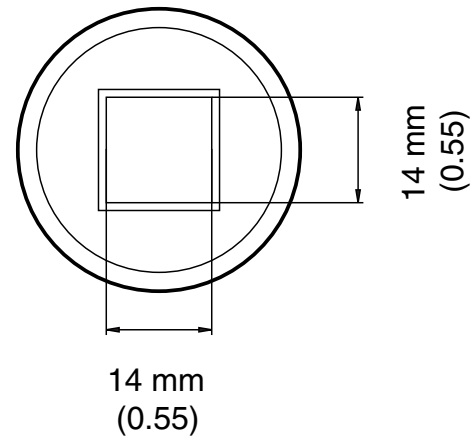
FOR USE WITH
HAKKO 850D/HAKKO 852
ONLY



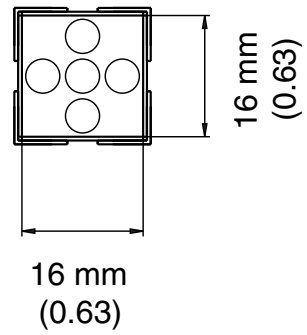
A1470 : BGA 8 x 8 (0.31 x 0.31)



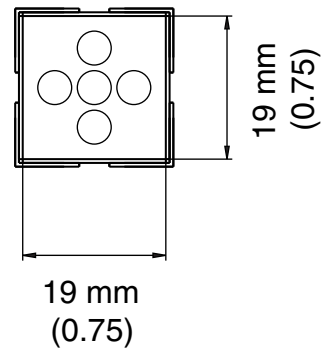
A1471 : BGA 12 x 12 (0.47 x 0.47)



A1472 : BGA 13 x 13 (0.51 x 0.51)



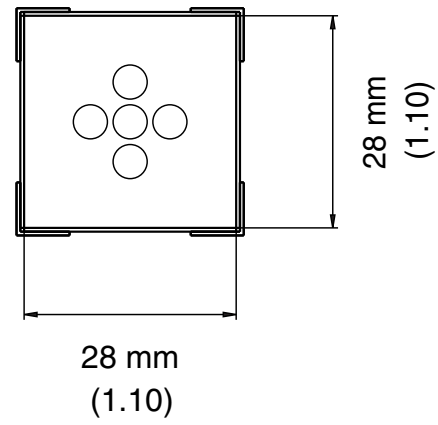
A1473 : BGA 15 x 15 (0.59 x 0.59)



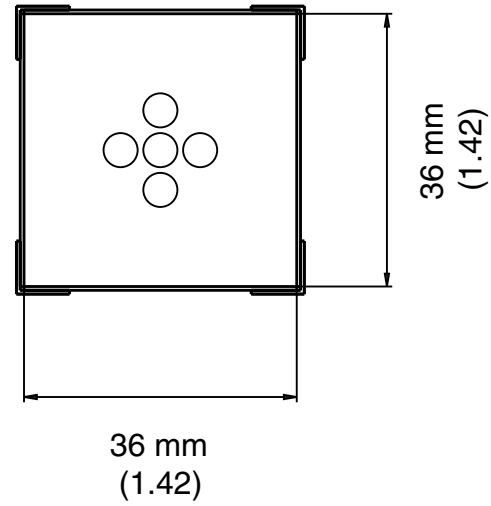
A1474 : BGA 18 x 18 (0.70 x 0.70)

BGA - Type-C

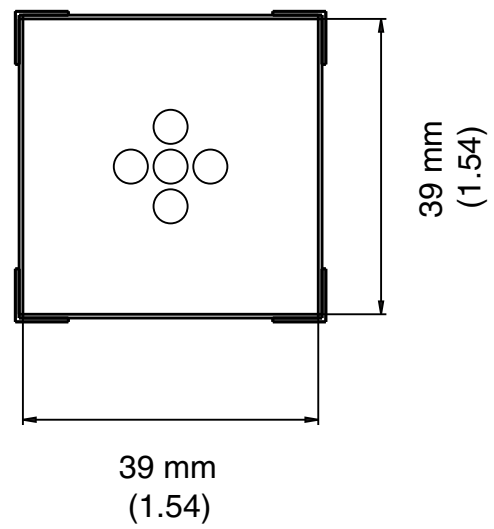
**FOR USE WITH
HAKKO 850D/HAKKO 852
ONLY**



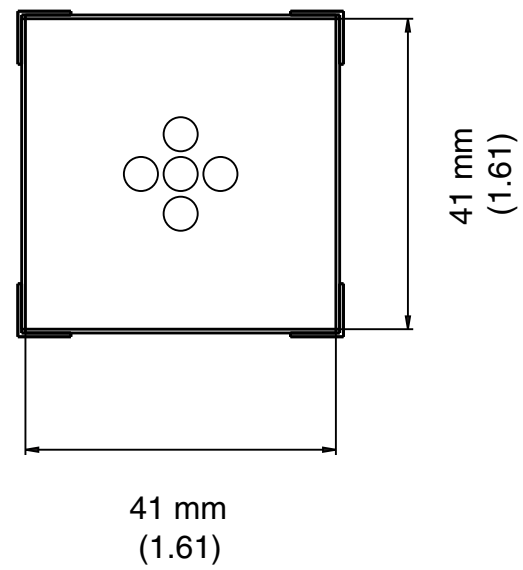
A1475 : BGA 27 x 27 (1.06 x 1.06)



A1476 : BGA 35 x 35 (1.37 x 1.37)

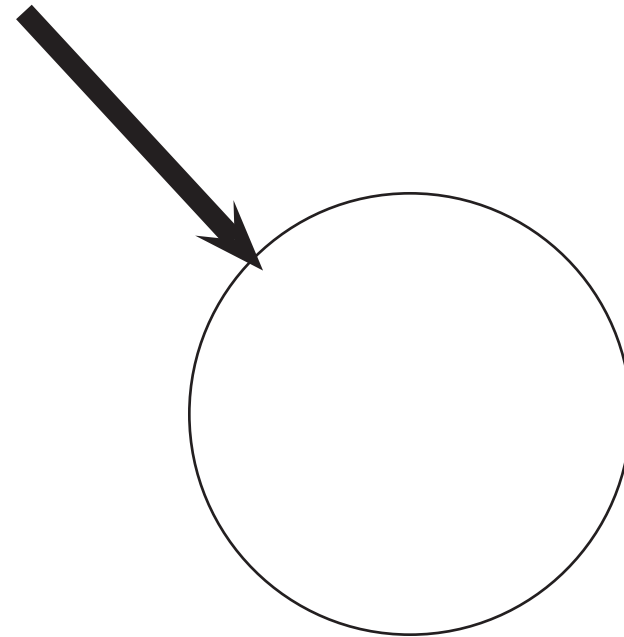


A1477 : BGA 38 x 38 (1.49 x 1.49)



A1478 : BGA 40 x 40 (1.57 x 1.57)

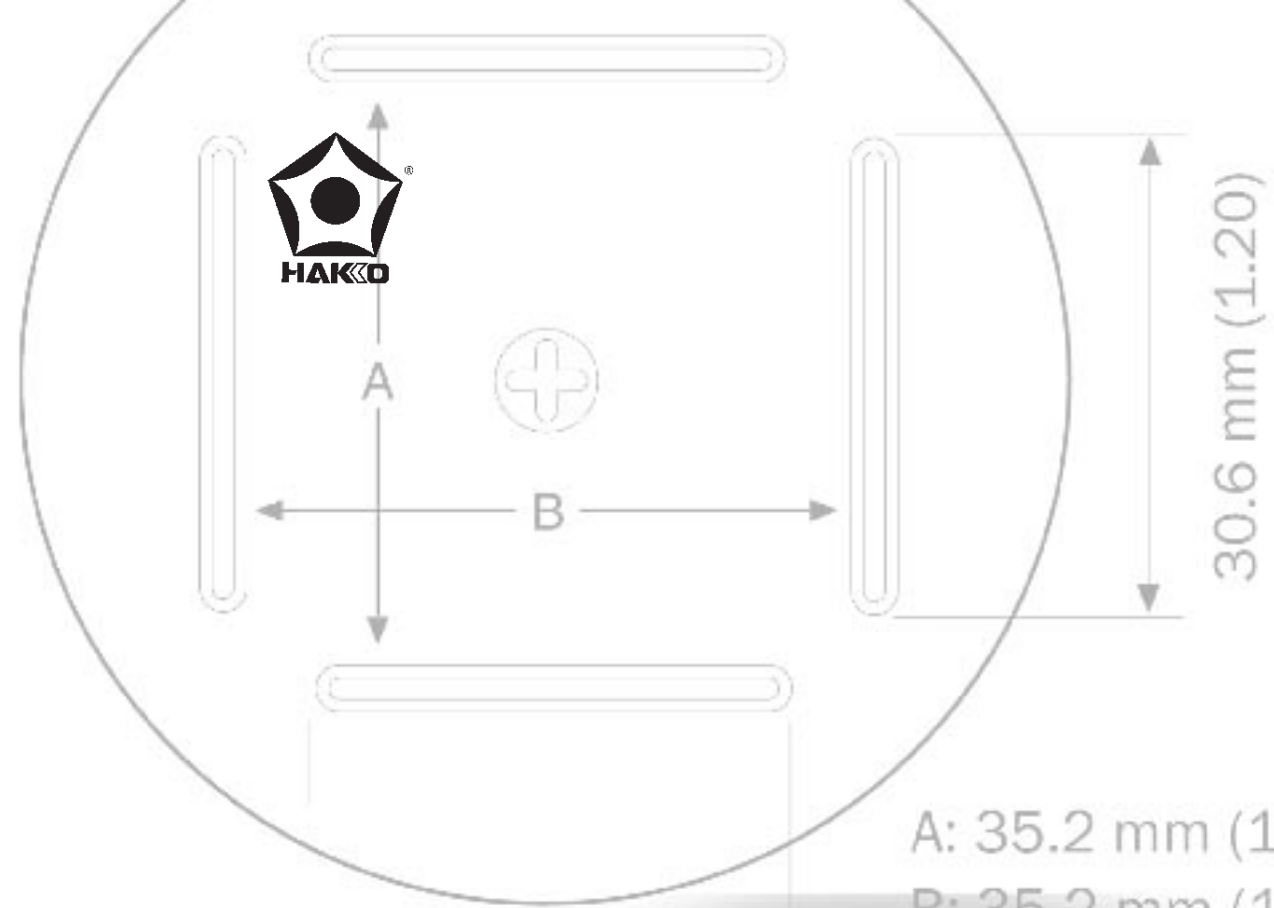
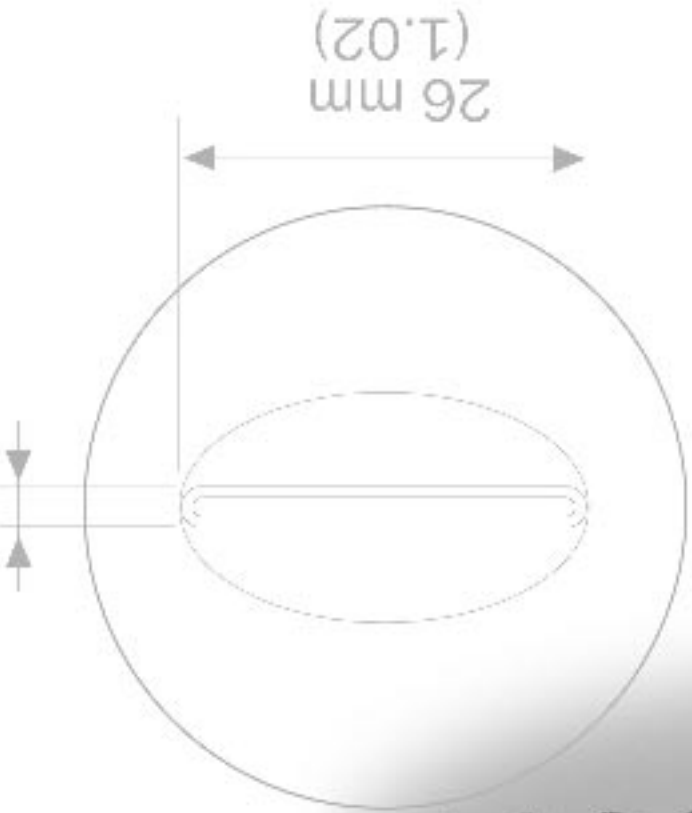
American Hakko can make custom nozzles if your surface mount component can fit inside this circle.



To order a custom nozzle, provide American Hakko Products with any one of the following:

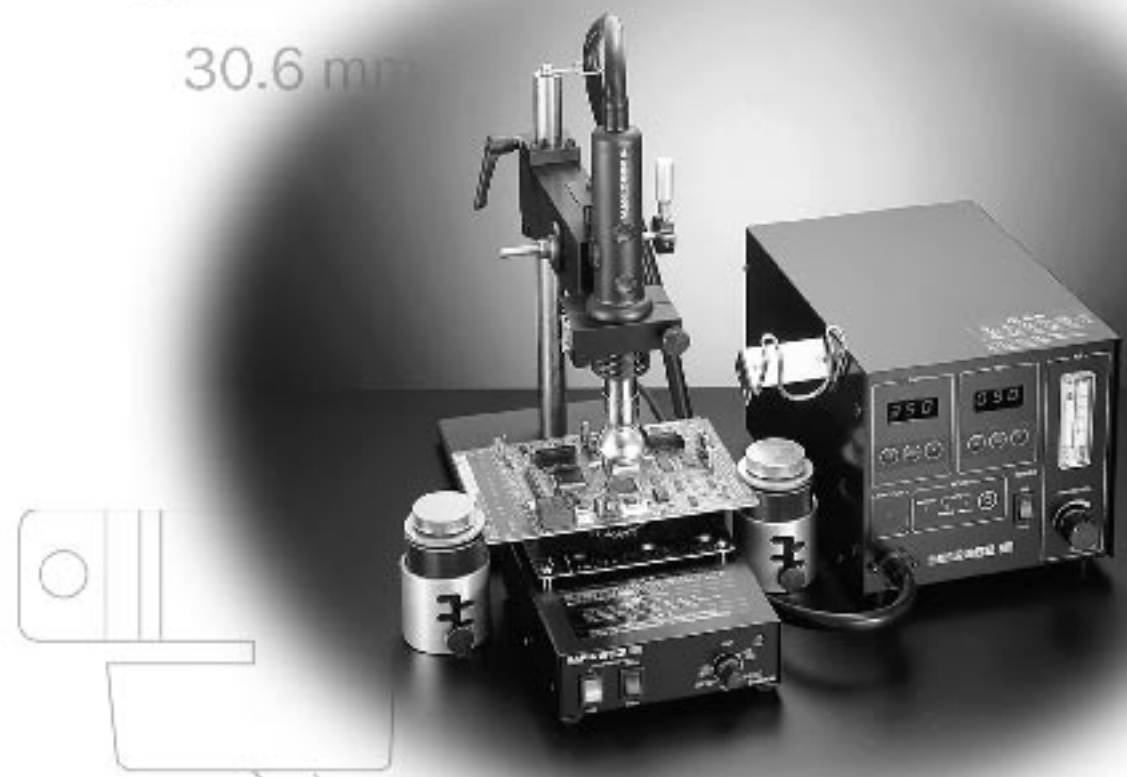
- A sample of the component**
- The manufacturer's component drawing**
- Form "850/852 Custom Nozzle Specification Sheet" (AHP 18).**

The form can be obtained by calling Hakko Customer Support at 1-800-88-HAKKO (42556).



A: 35.2 mm (1.39)
B: 35.2 mm (1.39)

30.6 mm



NOZZLE CATALOG



American Hakko Products, Inc. • 28920 Avenue Williams • Valencia • CA • 91355
Toll Free: (800) 88-HAKKO (42556) • Customer Service: (661) 294-0090 • Fax: (661) 294-0096
HakkoUSA.com



X-ON Electronics

Largest Supplier of Electrical and Electronic Components

Click to view similar products for [hakko manufacturer](#):

Other Similar products are found below :

[A1006](#) [FT8002-01](#) [PTG-2T1G0008](#) [HFJ11-1G06ERL](#) [HFJ12-E2450ER-L11RL](#) [TG110-RP55N5LF](#) [B3048](#) [T30-D06](#) [T12-D12](#) [FM203-15](#)
[N1-L10](#) [A1014](#) [N1-20](#) [T12-D24](#) [T12-BCM2](#) [FM2023-04](#) [FT8003](#) [G3-1601](#) [T31-01JS02](#) [T33-BC4](#) [T33-BC5](#) [T33-D24](#) [N50B-05](#) [N50B-06](#)
[950-CK](#) [A1013](#) [A1067](#) [A1187B](#) [A1379](#) [B1309](#) [B1787](#) [C1392B](#) [A1553](#) [A1554](#) [FX300-03](#) [FT300](#) [918-T-1.6D/P](#) [C1148B/P](#) [111-SA](#) [T15-](#)
[1006](#) [T15-1202](#) [N3-23](#) [B5045](#) [B5046](#) [N60-03](#) [N60-05](#) [N60-07](#) [N60-09](#) [T12-1612](#) [C1148B](#)