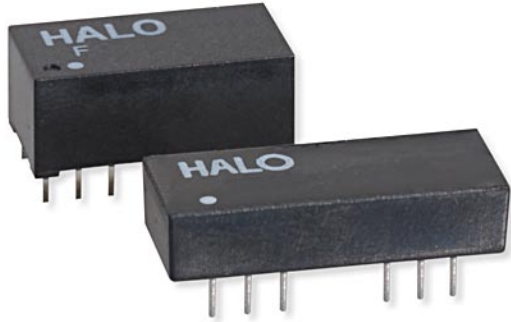


10BASE-T Filter Modules

100Ω DIL Package Isolation Modules with Optional Chokes



Product Features:

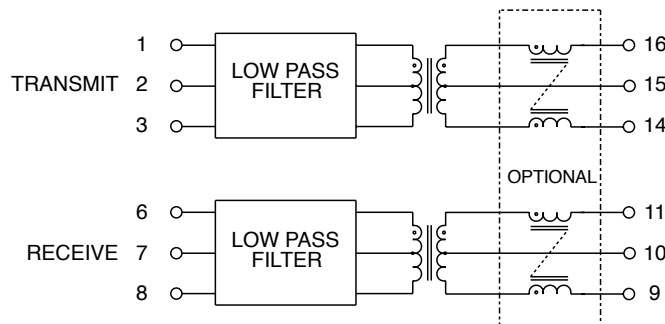
- Standard series of 100Ω filter modules to specifically address the 10BASE-T requirements of IEEE 802.3
- Choice of low or high profile packages
- Optional TX or TX/RX chokes
- Available for most LAN IC manufacturer's products
- 1500Vrms Hi-Pot

Part Number	Filter Description		Optional CMR Chokes	Package
	Transmit	Receive		
FD02-101GRL	100Ω Transformer + Filter	100Ω Transformer + Filter	–	G
FD12-101GRL	100Ω Transformer + Filter	100Ω Transformer + Filter	TX	G
FD22-101GRL	100Ω Transformer + Filter	100Ω Transformer + Filter	TX / RX	G
FD02-101HRL	100Ω Transformer + Filter	100Ω Transformer + Filter	–	H
FD12-101HRL	100Ω Transformer + Filter	100Ω Transformer + Filter	TX	H
FD22-101HRL	100Ω Transformer + Filter	100Ω Transformer + Filter	TX / RX	H

Electrical Specifications @ 25°C

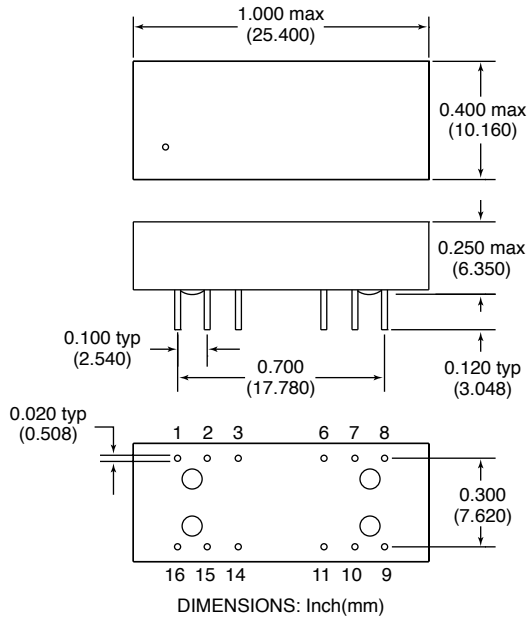
Insertion Loss (5-10MHz):	-1 dB Max.
Return Loss (5-10MHz):	-15 dB Min.
Cross Talk (1-10MHz):	-30 dB Min.
Attenuation @ 30MHz:	Transmit -27 dB Min. Receive -18 dB Min.
Cutoff Frequency:	17 MHz Typ.

Schematic

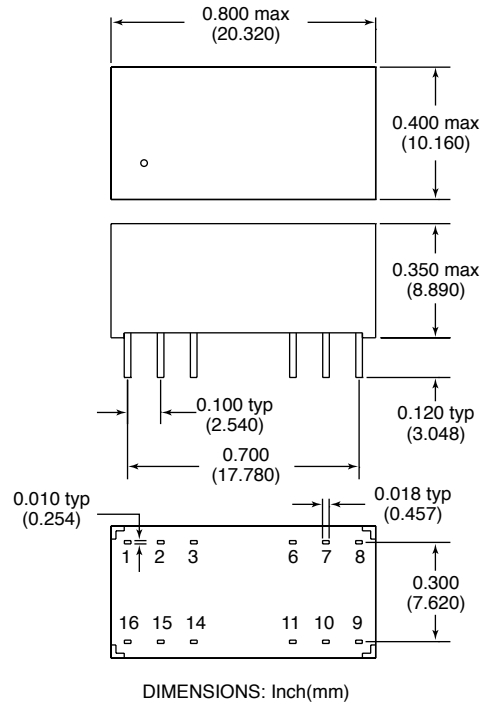


10BASE-T Filter Modules

Package G



Package H



2880 Lakeside Drive #116
 Santa Clara, CA 95054
 (650) 903-3800
www.haloelectronics.com

HALO® Electronics is a leading supplier of high quality communication magnetics including signal transformers, filters, CMR chokes, PoE power transformers, DC/DC converters, and integrated Ethernet connectors. HALO's leading edge technology solutions are manufactured in ISO9001 and ISO14001 factories offering high quality products at a competitive price.

X-ON Electronics

Largest Supplier of Electrical and Electronic Components

Click to view similar products for [Transformers Audio & Signal](#) category:

Click to view products by [Hakko](#) manufacturer:

Other Similar products are found below :

[CX2041NLT](#) [MGPWT-00449-P](#) [PL2615NL](#) [H1302FNLT](#) [H5012FNL](#) [H5077NLT](#) [H5084FNLT](#) [E4001NLT](#) [BX1194WNL](#) [HX2260FNL](#)
[HX5014FNL](#) [PA1136NL](#) [PA2437NL](#) [EX2024FNL](#) [T1049NL](#) [PE-65848FNLT](#) [PE-68023NL](#) [PH0905NL](#) [H1174FNL](#) [H1302FNL](#)
[H5015FNL](#) [H5062FNLT](#) [CX2047LNL](#) [MGPWT-00266-P](#) [MGPWT-00278-P](#) [MGPWT-00431-P](#) [BX1194WNLT](#) [HX5019FNL](#) [HX5084NL](#)
[TX1263NLT](#) [4-1879391-0](#) [PA0173NLT](#) [PA1284NLT](#) [T1142NL](#) [T60403-Y4021-X115](#) [HX6101FNL](#) [HX1148NL](#) [HX5020FNLT](#)
[HX5014FNLT](#) [T1124NL](#) [1879732-1](#) [B8846NL](#) [TX1267NLT](#) [TX1341NL](#) [H0013FNL](#) [H1270FNLT](#) [H2009FNL](#) [H5008FNLT](#) [H7008FNLT](#)
[H5004NLT](#)