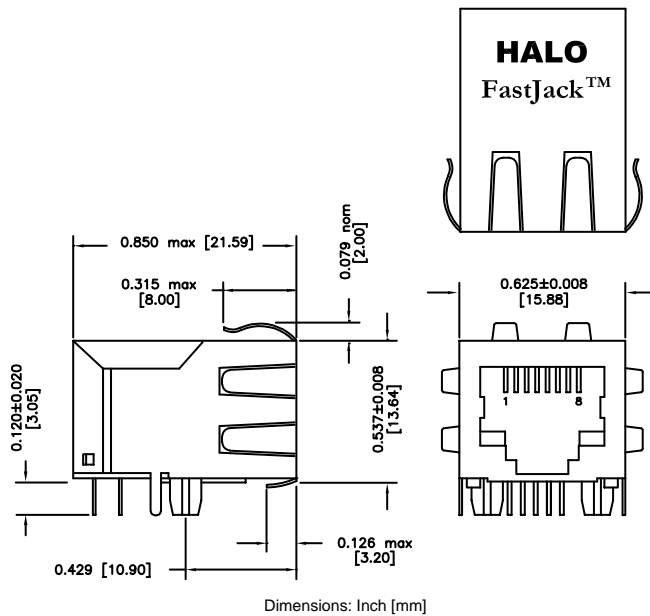


HALO is pleased to offer this complete range of single port Integrated RJ-45 connectors. The FastJack™ series integrates the high performance of HALO magnetics into industry standard connector designs. These single port Fastjacks are available in either tab up or tab down designs, and with or without LEDs. The result is an extremely robust, IEEE802.3 compliant solution. The complete FastJack series is UL60950 and EN60950 compliant.

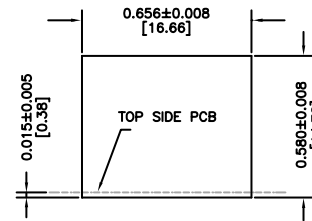


### Tab Down Mechanical Drawing

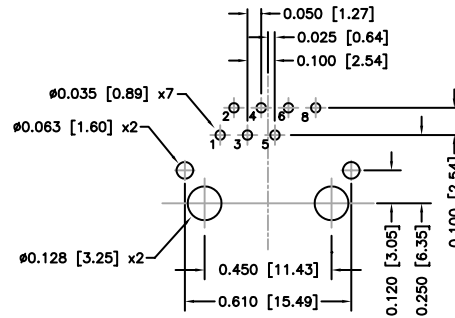


Housing Material: Black thermoplastic, UL94V-0  
 Contacts: Phosphor Bronze, selective plating 30 µm Gold over Nickel  
 Terminal Finish: Matte Tin over Nickel  
 Shield: Copper alloy with Nickel finish  
 Durability: 1000 mating cycles

### Recommended Panel Cut-out



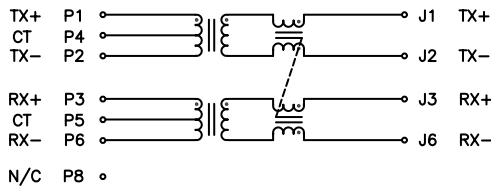
### Recommended PCB Layout



Pin 7 Omitted (If No LEDs)

Please see page 3 for LED options.

### Circuit A



FastJack™ P/N	Turns Ratio		Pri Inductance (µH)		Cw/w (pF Max)
	TX	RX	TX	RX	
HFJ11-1041ERL	1:2.5	1:1	35 Min	200 Min	15
HFJ11-1043ERL	1:1.41	1:1	140 Typ	140 Typ	15
HFJ11-1066ERL	2:1	1:1	150 Min	150 Min	10
HFJ11-1075ERL	1:2	1:1	25 Typ	140 Typ	15
HFJ11-1081ERL	1:1	1:1	100 Typ	100 Typ	9
HFJ11-1086ERL	1:2	1:1	50 Min	200 Min	11

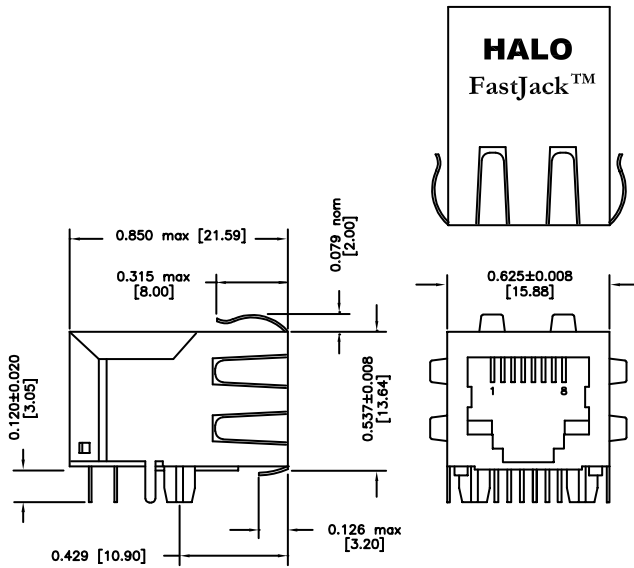
Isolation Voltage: 1,500 Vrms

Please see individual data sheets for complete electrical specifications.

HALO is pleased to offer this series of small footprint 10BASE-T FastJacks™, with integrated filters. This series is ideal for low cost Ethernet Controller chip applications requiring signal filtering. IEEE 802.3 compliant and real estate effective. Check the HALO 10BASE-T selector guide for the FastJack™ that is correct for your design. The complete FastJack series is UL60950 and EN60950 compliant.



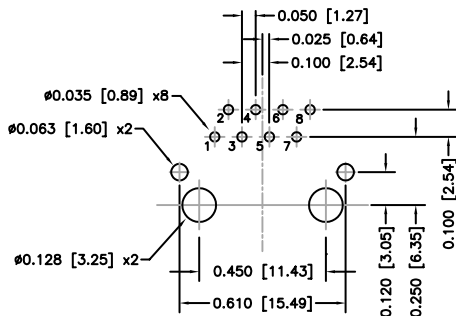
### Tab Down Mechanical Drawing



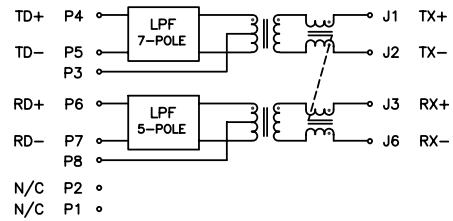
Dimensions: Inch [mm]

Housing Material: Black thermoplastic, UL94V-0  
Contacts: Phosphor Bronze, selective plating 30 µin Gold over Nickel  
Terminal Finish: Matte Tin over Nickel  
Shield: Copper alloy with Nickel finish  
Durability: 1000 mating cycles

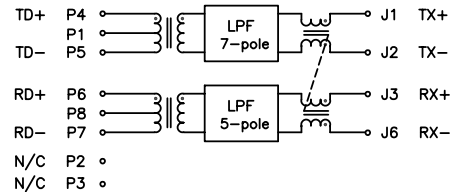
### Recommended PCB Layout



### Filter Circuit A



### Filter Circuit B



Please see page 1 for  
recommended panel cut-out

Please see page 3 for LED options.

### Electrical Specifications @ 25°C

Operating Temp: 0 to +70°C  
Isolation Voltage: 1,500 Vrms  
Insertion Loss (5-10MHz): -1dB max  
Return Loss (5-10MHz): -15dB min  
Attenuation @ 30MHz  
Transmit: -30dB min  
Receive: -18dB min  
Cut Off Freq. 17MHz typ  
Crosstalk (1-10MHz): -30dB min



HALO Part Number	Circuit	Turns Ratio		Pri Impedance	
		TX	RX	TX	RX
HFJ11-S101ERL	A	1CT:1	1CT:1	100Ω	100Ω
HFJ11-S114ERL	B	1CT:1.41	1CT:1	50Ω	100Ω

# HALO Single Port FastJacks™ LED Options

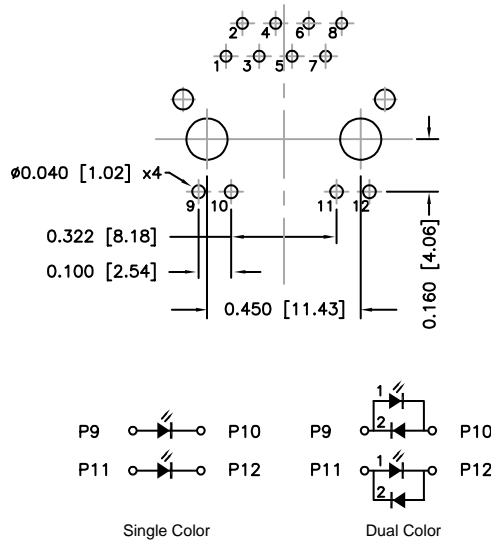
HALO ELECTRONICS, INC.

HALO is pleased to offer our complete line of single port Integrated RJ-45 connectors with integrated LED's. All HFJ11 and HFJ1 single port HALO FastJacks, are available with several LED options. To specify the LED function simply add the corresponding suffix "-Lxx" to any HALO HFJ11 or HFJ1 part number, ie HFJ11-2450E-L11. Options include two standard footprints, color variations and current limiting function.

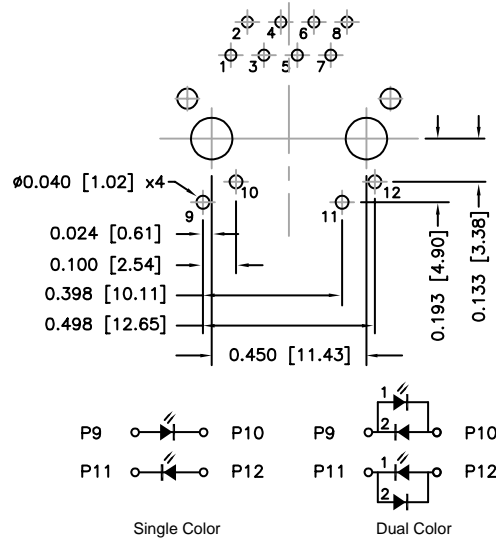


Single Port FastJacks™  
LED Options

## Inline Footprint



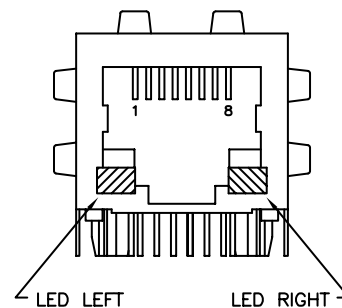
## Staggered Footprint



## LED Ordering Options

Left LED Color	Right LED Color	Inline Footprint	Staggered Footprint
Green	Green	L11	LS11
Green	Yellow	L12	LS12
Yellow	Green	L21	LS21
Green/Yellow <sup>2</sup>	Green/Yellow <sup>2</sup>	L55	LS55
Green/Yellow <sup>2</sup>	Yellow/Green <sup>2</sup>	L56	LS56
Green/Orange <sup>2</sup>	Green/Orange <sup>2</sup>	L77	LS77
Green/Orange <sup>2</sup>	Orange/Green <sup>2</sup>	L78	LS78

## Front View



1. Typical LED forward voltage: 2.1Vdc @ 10mA.
2. The first color corresponds to LED1 in dual color option.
3. Current limiting LEDs are available. When using the V3 or V5 current limiting versions, external resistors are not required. Choose the proper voltage according to the application. Please contact the factory for specifications.
4. Dimensions: Inch [mm]

## 10BASE-T

Vendor	Silicon P / N	FastJack™ Part Number Tab Down
AMD	Am79C984A, 985, 988A, 989	HFJ11-1081ERL
Cirrus Logic	CS8900-CQ/IQ, CS8920, CS8904-CM5	HFJ11-1043ERL
Cirrus Logic	CS8900-CQ3/IQ3, CS8904-CM3	HFJ11-1041ERL
Intel	LXT901/1A, 907/7A, LXT914/915	HFJ11-1043ERL
Intel	LXT905, LXT908	HFJ11-1075ERL
LSI	80C24/25	HFJ11-1066ERL
NSC	DP83907, DP83953	HFJ11-1086ERL
RealTek	RTL8019	HFJ11-S101ERL
SMSC	LAN91C95/96 (5V)	HFJ11-S101ERL
SMSC	LAN91C96 (3.3V)	HFJ11-S114ERL
Uvicom	IP2022	HFJ11-S114ERL

## X-ON Electronics

Largest Supplier of Electrical and Electronic Components

*Click to view similar products for [Modular Connectors / Ethernet Connectors](#) category:*

*Click to view products by [Hakko](#) manufacturer:*

Other Similar products are found below :

[8949-H88/06BLKA/SN](#) [74441-0010/BKN](#) [MP1010RX-1000](#) [MP44RX-1000](#) [PHJ-4P4C-1-V-4](#) [PHP-6P6C-5](#) [GAX-3-66](#) [GAX-8-62](#) [GDCX-PA-66-50](#) [GDCX-PN-64](#) [GDCX-PN-66](#) [GDCX-PN-66-50](#) [GDLX-A-66](#) [GDLX-N-66](#) [GDLX-S-66](#) [GDLX-S-88K](#) [GDLX-SMT-S-88](#) [GDTX-S-88-50](#) [GDX-PA-1010](#) [GLX-N-1010M-BLK](#) [GLX-S-88M-BLK](#) [GMX-N-1010](#) [GMX-S-1010](#) [GMX-S-66](#) [GMX-SMT4-N-88](#) [GPX-2-64](#) [GSGX-N-2-88](#) [GSGX-N-4-88](#) [GSX-NS2-88-3.05](#) [GSX-NS2-88-3.05-50](#) [GSX-NS-88-3.05-50](#) [PT-108A-8C-UL](#) [PT-J951-8C](#) [PTS-J531-8CS-50UL](#) [1-1775629-2](#) [A-2014-0-4](#) [GWLX-S-88-GR](#) [GWLX-S9-88-YG](#) [DC-1021-8-WH-6](#) [1300530003](#) [1324640-4](#) [RJ11FTVC2G](#) [RJ11FTVC2N](#) [RJFTVX2SA1G](#) [132764-001](#) [1413235](#) [MP88X-1000](#) [MPS88RX-5000](#) [E5288-S000K3-L](#) [E5908-15A242-L](#)