



## Product Features:

- Gigabit (10/100/1000) Ethernet RJ45
- IEEE802.3ab Compliant
- 350uH min OCL at 8mA DC Bias Across the Full Temp Range
- 30µ" Gold Plating (min) on Contacts
- 100% Compliance Testing
- 1500Vrms Hi-Pot
- Proprietary Robust Contact Design

Part Number		Circuit	LED's (L/R)	Return Loss (min)				PHY Drive
Standard Temp (0 to 70°C)	Extended Temp (-40 to +85°C)			1-40MHz	60MHz	80MHz	100MHz	
HFJ11-1G01ERL	HFJ11-E1G01ERL	A	None	-18dB	-14dB	-12dB	-10dB	Current
HFJ11-1G01E-L11RL	HFJ11-E1G01E-L11RL	A	G/G	-18dB	-14dB	-12dB	-10dB	Current
HFJ11-1G01E-L12RL	HFJ11-E1G01E-L12RL	A	G/Y	-18dB	-14dB	-12dB	-10dB	Current
HFJ11-1G06ERL	HFJ11-E1G06ERL	B	None	-18dB	-14dB	-12dB	-10dB	Current
HFJ11-1G06E-L11RL	HFJ11-E1G06E-L11RL	B	G/G	-18dB	-14dB	-12dB	-10dB	Current
HFJ11-1G06E-L12RL	HFJ11-E1G06E-L12RL	B	G/Y	-18dB	-14dB	-12dB	-10dB	Current
HFJ11-1G11ERL*	HFJ11-E1G11ERL*	C	None	-18dB	-14dB	-12dB	-10dB	Current
HFJ11-1G11E-L11RL*	HFJ11-E1G11E-L11RL*	C	G/G	-18dB	-14dB	-12dB	-10dB	Current
HFJ11-1G11E-L12RL*	HFJ11-E1G11E-L12RL*	C	G/Y	-18dB	-14dB	-12dB	-10dB	Current
HFJ11-1G16ERL*	HFJ11-E1G16ERL*	D	None	-18dB	-14dB	-12dB	-10dB	Current
HFJ11-1G16E-L11RL*	HFJ11-E1G16E-L11RL*	D	G/G	-18dB	-14dB	-12dB	-10dB	Current
HFJ11-1G16E-L12RL*	HFJ11-E1G16E-L12RL*	D	G/Y	-18dB	-14dB	-12dB	-10dB	Current
HFJ11-1G41ERL*	HFJ11-E1G41ERL*	E	None	-18dB	-14dB	-12dB	-10dB	Voltage
HFJ11-1G41E-L11RL*	HFJ11-E1G41E-L11RL*	E	G/G	-18dB	-14dB	-12dB	-10dB	Voltage
HFJ11-1G41E-L12RL*	HFJ11-E1G41E-L12RL*	E	G/Y	-18dB	-14dB	-12dB	-10dB	Voltage
HFJ11-1G46ERL*	HFJ11-E1G46ERL*	F	None	-18dB	-14dB	-12dB	-10dB	Voltage
HFJ11-1G46E-L11RL*	HFJ11-E1G46E-L11RL*	F	G/G	-18dB	-14dB	-12dB	-10dB	Voltage
HFJ11-1G46E-L12RL*	HFJ11-E1G46E-L12RL*	F	G/Y	-18dB	-14dB	-12dB	-10dB	Voltage

### \*Recommended for New Designs

#### Notes:

1. LED Key : G = Green, Y = Yellow
2. Other LED colors, bi-colors, polarities, and current limiting versions available
3. Unshielded and without ground shield tabs available
4. Part specific datasheets available
5. Tab-up versions available

# HALO Gigabit Ethernet Family of FastJacks

## Circuit A



## Circuit B



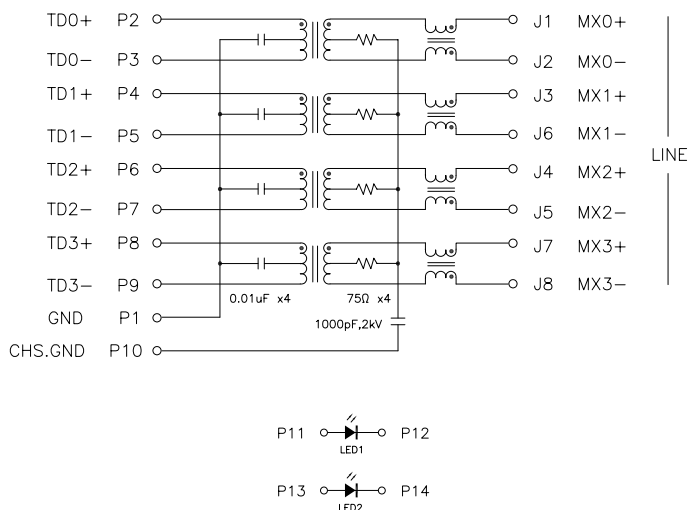
## Circuit C



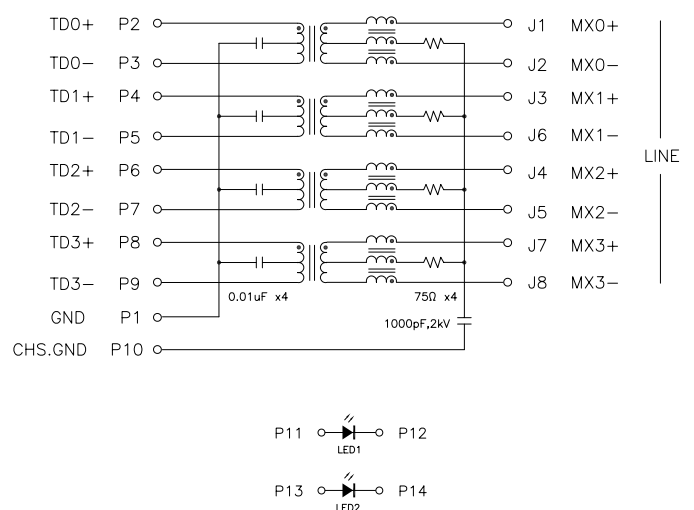
## Circuit D

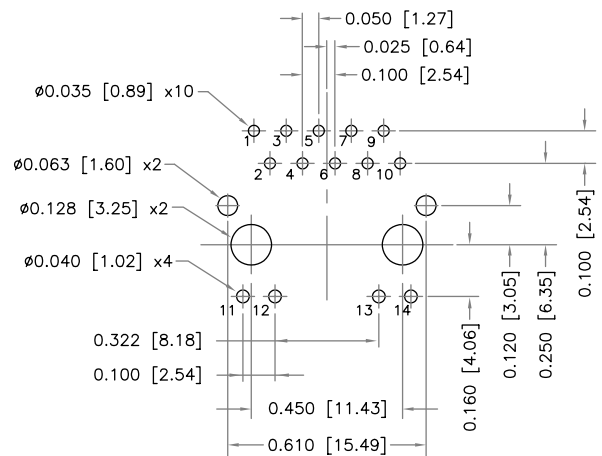
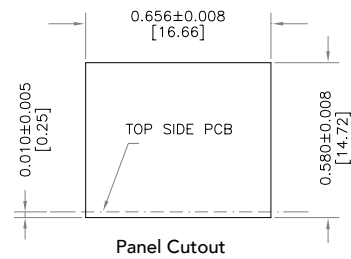
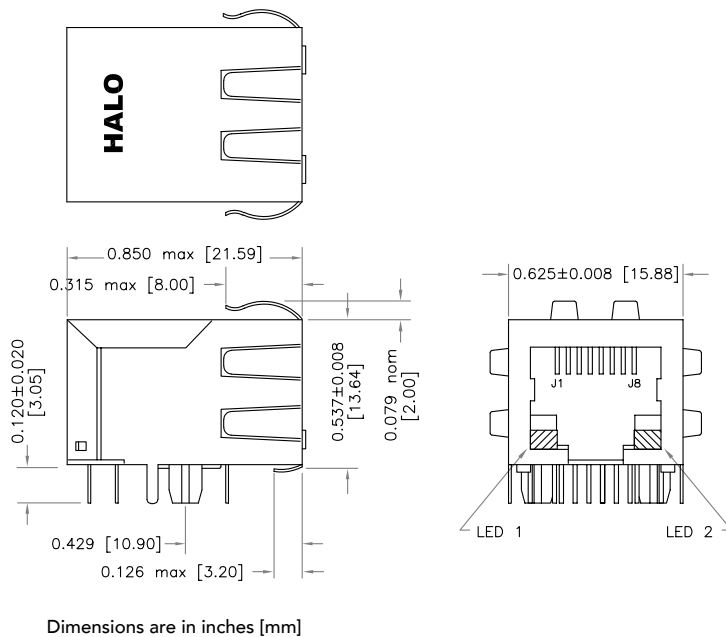


## Circuit E



## Circuit F





Recommended PCB Layout (Component Side)

\* Parts numbers without LED's omit pins 11 through 14



2880 Lakeside Drive #116  
 Santa Clara, CA 95054  
 (650) 903-3800  
[www.haloelectronics.com](http://www.haloelectronics.com)

HALO® Electronics is a leading supplier of high quality communication magnetics including signal transformers, filters, CMR chokes, PoE power transformers, DC/DC converters, and integrated Ethernet connectors. HALO's leading edge technology solutions are manufactured in ISO9001 and ISO14001 factories offering high quality products at a competitive price.

## X-ON Electronics

Largest Supplier of Electrical and Electronic Components

*Click to view similar products for [Modular Connectors / Ethernet Connectors](#) category:*

*Click to view products by [Hakko](#) manufacturer:*

Other Similar products are found below :

[8949-H88/06BLKA/SN](#) [74441-0010/BKN](#) [MP1010RX-1000](#) [MP44RX-1000](#) [PHJ-4P4C-1-V-4](#) [PHP-6P6C-5](#) [GAX-3-66](#) [GAX-8-62](#) [GDCX-PA-66-50](#) [GDCX-PN-64](#) [GDCX-PN-66](#) [GDCX-PN-66-50](#) [GDLX-A-66](#) [GDLX-N-66](#) [GDLX-S-66](#) [GDLX-S-88K](#) [GDLX-SMT-S-88](#) [GDTX-S-88-50](#) [GDX-PA-1010](#) [GLX-N-1010M-BLK](#) [GLX-S-88M-BLK](#) [GMX-N-1010](#) [GMX-S-1010](#) [GMX-S-66](#) [GMX-SMT4-N-88](#) [GPX-2-64](#) [GSGX-N-2-88](#) [GSGX-N-4-88](#) [GSX-NS2-88-3.05](#) [GSX-NS2-88-3.05-50](#) [GSX-NS-88-3.05-50](#) [PT-108A-8C-UL](#) [PT-J951-8C](#) [PTS-J531-8CS-50UL](#) [1-1775629-2](#) [A-2014-0-4](#) [GWLX-S-88-GR](#) [GWLX-S9-88-YG](#) [DC-1021-8-WH-6](#) [1300530003](#) [1324640-4](#) [RJ11FTVC2G](#) [RJ11FTVC2N](#) [RJFTVX2SA1G](#) [132764-001](#) [1413235](#) [MP88X-1000](#) [MPS88RX-5000](#) [E5288-S000K3-L](#) [E5908-15A242-L](#)