



Housing Material: Polyester, Black UL94V-0
 Contacts: Phosphor Bronze 30µin Au plating over Ni
 Leads: Matte Sn over Ni
 Shield: Cu Alloy with Ni plating 40µin min
 Durability: 1000 mating cycles
 Dimensions: Inch [mm]
 Tolerances: ±0.008 inch if not specified

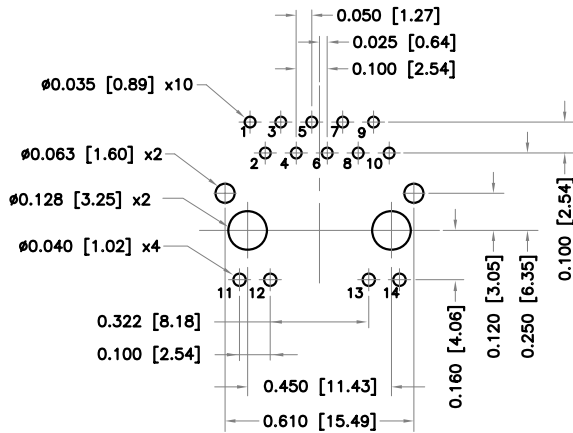
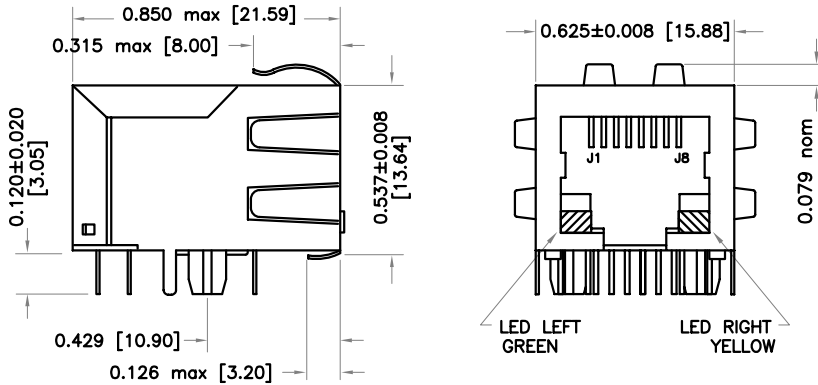


PART NO. : HFJ11-1G40E-L12RL

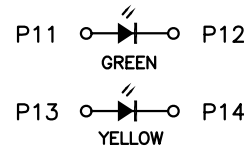
FASTJACK™ WITH 1000BASE-T MAGNETICS
 OPTIMIZED FOR VOLTAGE DRIVEN OUTPUTS
 RoHS COMPLAINT
 COMPATIBLE TO LEAD-FREE WAVE SOLDERING PROCESS
 FOR THROUGH HOLE COMPONENTS
 OPERATING TEMPERATURE 0/70°C

ELECTRICAL SPECIFICATIONS @ 25° C

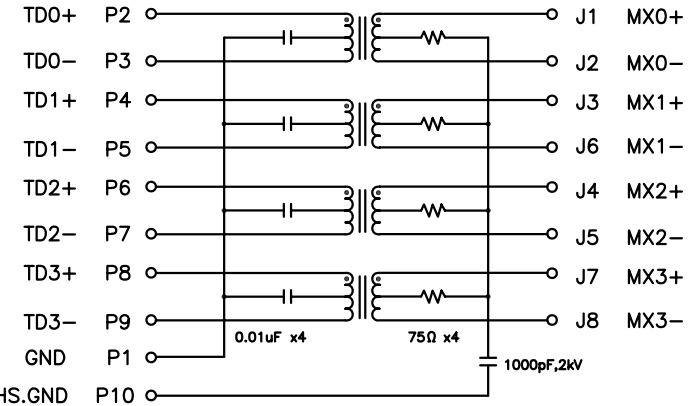
| | |
|----------------------------|------------|
| URNS RATIO | 1:1 ±3% |
| ACL (100kHz,0.1V,8mA) | 350µH min |
| INSERTION LOSS 1-100MHz | -1.1dB max |
| RETURN LOSS 1-40MHz | -18dB min |
| 60MHz | -14dB min |
| 80MHz | -12dB min |
| 100MHz | -10dB min |
| CROSSTALK 1-100MHz | -40dB typ |
| ISOLATION | 1,500Vrms |



RECOMMENDED P.C. BOARD PATTERN (COMP. SIDE)



LED FORWARD VOLTAGE/
 CURRENT: 2.1V/10mA typ



LINE



HALO/PBL

CALIFORNIA, USA
 KOWLOON, HONG KONG
 SINGAPORE

| | | | | | | |
|----------|-------------------|------------|-----------------|---------|-------|---------------|
| TITLE | FastJack™ SINGLE | SIGNATURES | DATE | REV. | DESC. | DATE |
| FOR | GIGABIT ETHERNET | DRAWN | LI ZHI ZHONG | 2/14/06 | A | FIRST ISSUE |
| PART NO. | HFJ11-1G40E-L12RL | CHECKED | LEI KEONG | 8/25/10 | B | PROD. RELEASE |
| SCALE | NONE | APPROVED | PETER LU | 8/25/10 | | |
| PAGE | 1 OF 1 | FILE | 1G40E-L12RL.DWG | | | |

X-ON Electronics

Largest Supplier of Electrical and Electronic Components

Click to view similar products for [Modular Connectors / Ethernet Connectors](#) category:

Click to view products by [Hakko](#) manufacturer:

Other Similar products are found below :

[8949-H88/06BLKA/SN](#) [74441-0010/BKN](#) [MP1010RX-1000](#) [MP44RX-1000](#) [PHJ-4P4C-1-V-4](#) [PHP-6P6C-5](#) [GAX-3-66](#) [GAX-8-62](#) [GDCX-PA-66-50](#) [GDCX-PN-64](#) [GDCX-PN-66](#) [GDCX-PN-66-50](#) [GDLX-A-66](#) [GDLX-N-66](#) [GDLX-S-66](#) [GDLX-S-88K](#) [GDLX-SMT-S-88](#) [GDTX-S-88-50](#) [GDX-PA-1010](#) [GLX-N-1010M-BLK](#) [GLX-S-88M-BLK](#) [GMX-N-1010](#) [GMX-S-1010](#) [GMX-S-66](#) [GMX-SMT4-N-88](#) [GPX-2-64](#) [GSGX-N-2-88](#) [GSGX-N-4-88](#) [GSX-NS2-88-3.05](#) [GSX-NS2-88-3.05-50](#) [GSX-NS-88-3.05-50](#) [PT-108A-8C-UL](#) [PT-J951-8C](#) [PTS-J531-8CS-50UL](#) [1-1775629-2](#) [A-2014-0-4](#) [GWLX-S-88-GR](#) [GWLX-S9-88-YG](#) [DC-1021-8-WH-6](#) [1300530003](#) [1324640-4](#) [RJ11FTVC2G](#) [RJ11FTVC2N](#) [RJFTVX2SA1G](#) [132764-001](#) [1413235](#) [MP88X-1000](#) [MPS88RX-5000](#) [E5288-S000K3-L](#) [E5908-15A242-L](#)