



Product Features:

- 10/100BASE-TX Ethernet RJ45
- IEEE802.3af Compliant
- 100% Compliance Testing
- 1500Vrms Hi-Pot
- 30µ" Gold (min) on Contacts
- Proprietary Robust Contact Design

Part Number		Circuit	LED's (L/R)	PoE	Return Loss (min)				Insertion Loss (max)
Standard Temp (0 to 70°C)	Extended Temp (-40 to +85°C)				1-30MHz	40MHz	50MHz	60-80MHz	
HFJ11-RP44ERL	HFJ11-RPE44ERL	A	None	✓	-18dB	-15.5dB	-13.6dB	-12dB	-1.1dB
HFJ11-RP44E-L11RL	HFJ11-RPE44E-L11RL	A	G/G	✓	-18dB	-15.5dB	-13.6dB	-12dB	-1.1dB
HFJ11-RP44E-L12RL	HFJ11-RPE44E-L12RL	A	G/Y	✓	-18dB	-15.5dB	-13.6dB	-12dB	-1.1dB
HFJ11-RP44E-L15RL	HFJ11-RPE44E-L15RL	A	G/G(Y)	✓	-18dB	-15.5dB	-13.6dB	-12dB	-1.1dB
HFJ11-RP44E-L21RL	HFJ11-RPE44E-L21RL	A	Y/G	✓	-18dB	-15.5dB	-13.6dB	-12dB	-1.1dB
HFJ11-RP48ERL*	HFJ11-RPE48ERL	B	None	✓	-18dB	-15.5dB	-13.6dB	-12dB	-1.1dB
HFJ11-RP48E-L11RL*	HFJ11-RPE48E-L11RL	B	G/G	✓	-18dB	-15.5dB	-13.6dB	-12dB	-1.1dB
HFJ11-RP48E-L12RL*	HFJ11-RPE48E-L12RL	B	G/Y	✓	-18dB	-15.5dB	-13.6dB	-12dB	-1.1dB
HFJ11-RP48E-L15RL*	HFJ11-RPE48E-L15RL	B	G/G(Y)	✓	-18dB	-15.5dB	-13.6dB	-12dB	-1.1dB
HFJ11-RP48E-L21RL*	HFJ11-RPE48E-L21RL	B	Y/G	✓	-18dB	-15.5dB	-13.6dB	-12dB	-1.1dB

*RP48 and RPE48 for use with current drive Auto-MDIX PHY's only

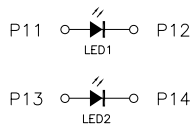
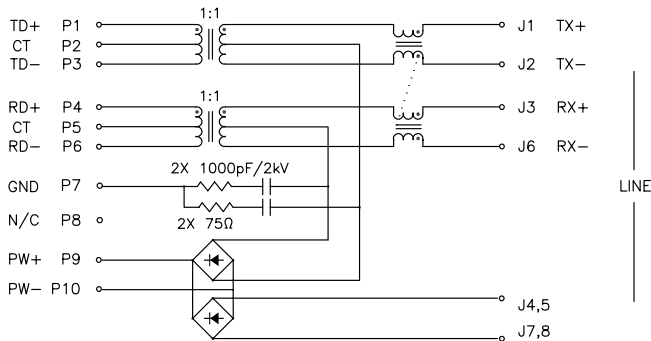
Notes:

1. When using the RP44E or RPE44E circuits please contact the factory or local representative PCB layout app note
2. LED Key : G = Green, Y = Yellow, O = Orange, () = Bi-Color
3. Other LED colors, bi-colors, polarities, and current limiting versions available
4. Available without ground tabs
5. Part specific datasheets available

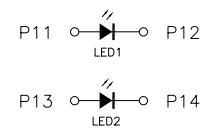
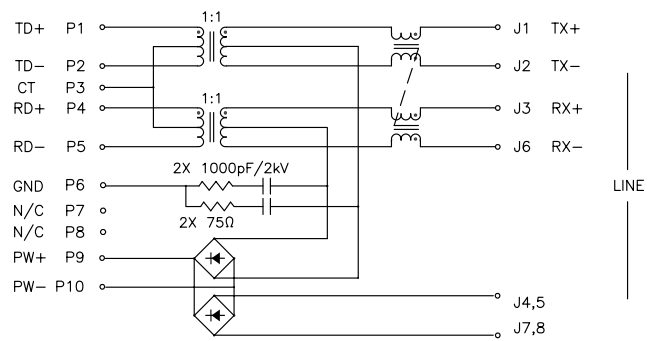
HALO 10/100BASE-TX Ethernet Family of FastJacks

Circuit A

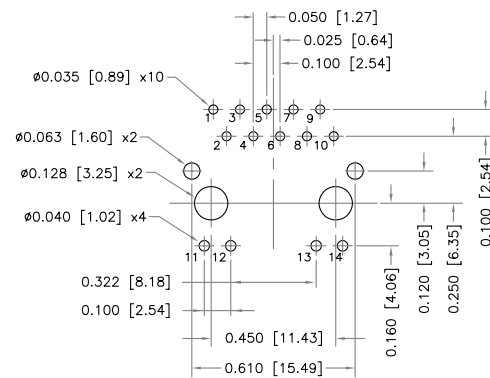
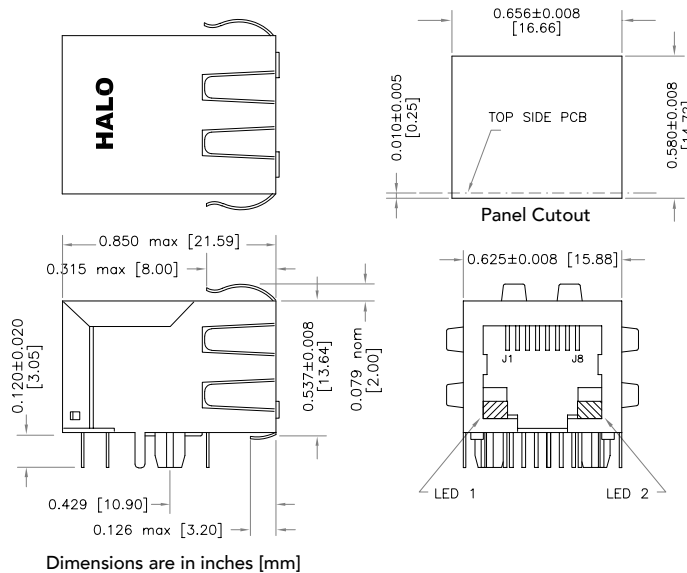
If using circuit A please contact the factory for suggested solder pad layout.



Circuit B



Mechanical



2880 Lakeside Drive #116
Santa Clara, CA 95054
(650) 903-3800
www.haloelectronics.com

HALO® Electronics is a leading supplier of high quality communication magnetics including signal transformers, filters, CMR chokes, PoE power transformers, DC/DC converters, and integrated Ethernet connectors. HALO's leading edge technology solutions are manufactured in ISO9001 and ISO14001 factories offering high quality products at a competitive price.

X-ON Electronics

Largest Supplier of Electrical and Electronic Components

Click to view similar products for [Modular Connectors / Ethernet Connectors](#) category:

Click to view products by [Hakko](#) manufacturer:

Other Similar products are found below :

[8949-H88/06BLKA/SN](#) [74441-0010/BKN](#) [MP1010RX-1000](#) [MP44RX-1000](#) [PHJ-4P4C-1-V-4](#) [PHP-6P6C-5](#) [GAX-3-66](#) [GAX-8-62](#) [GDCX-PA-66-50](#) [GDCX-PN-64](#) [GDCX-PN-66](#) [GDCX-PN-66-50](#) [GDLX-A-66](#) [GDLX-N-66](#) [GDLX-S-66](#) [GDLX-S-88K](#) [GDLX-SMT-S-88](#) [GDTX-S-88-50](#) [GDX-PA-1010](#) [GLX-N-1010M-BLK](#) [GLX-S-88M-BLK](#) [GMX-N-1010](#) [GMX-S-1010](#) [GMX-S-66](#) [GMX-SMT4-N-88](#) [GPX-2-64](#) [GSGX-N-2-88](#) [GSGX-N-4-88](#) [GSX-NS2-88-3.05](#) [GSX-NS2-88-3.05-50](#) [GSX-NS-88-3.05-50](#) [PT-108A-8C-UL](#) [PT-J951-8C](#) [PTS-J531-8CS-50UL](#) [1-1775629-2](#) [A-2014-0-4](#) [GWLX-S-88-GR](#) [GWLX-S9-88-YG](#) [DC-1021-8-WH-6](#) [1300530003](#) [1324640-4](#) [RJ11FTVC2G](#) [RJ11FTVC2N](#) [RJFTVX2SA1G](#) [132764-001](#) [1413235](#) [MP88X-1000](#) [MPS88RX-5000](#) [E5288-S000K3-L](#) [E5908-15A242-L](#)