

PART NO. : HFJ12-1G06ER-L11RL

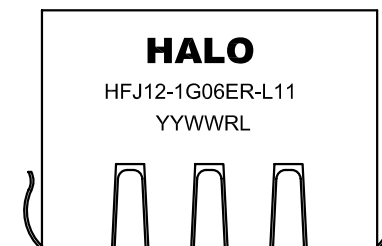


1X2 FASTJACK™ WITH 1000BASE-T MAGNETICS
 COMPLIANT TO IEEE802.3ab STANDARDS
 LEAD-FREE/RoHS COMPLAINT

COMPATIBLE TO LEAD-FREE WAVE SOLDERING PROCESS
 FOR THROUGH HOLE COMPONENTS

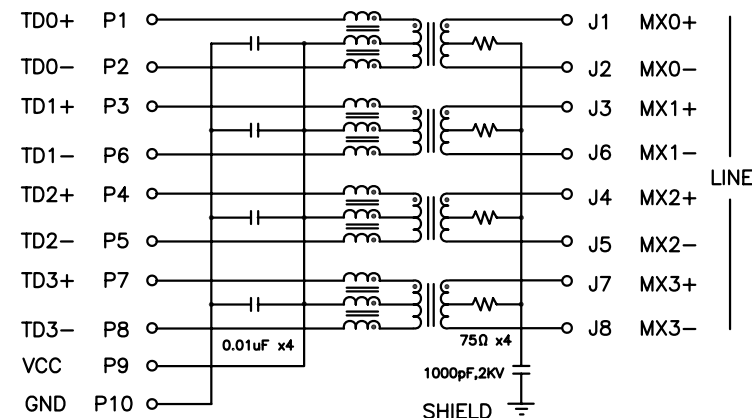
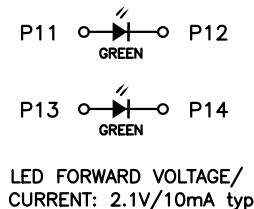
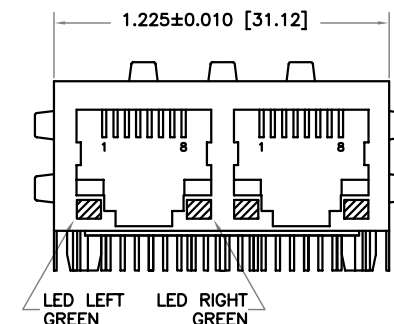
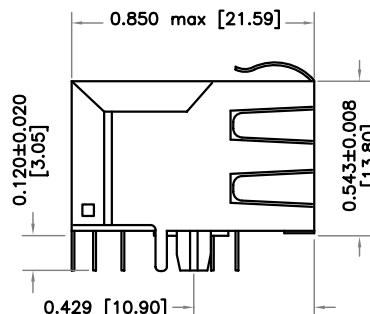
OPERATING TEMPERATURE 0/70°C

Housing Material: Polyester, Black UL94V-0
 Contacts: Phosphor Bronze 30µin Au plating over Ni
 Leads: Matte Sn over Ni plating
 Shield: Cu Alloy with Ni plating 40µin min
 Durability: 1000 mating cycles
 Dimensions: Inch [mm]
 Tolerances: ±0.008 inch if not specified

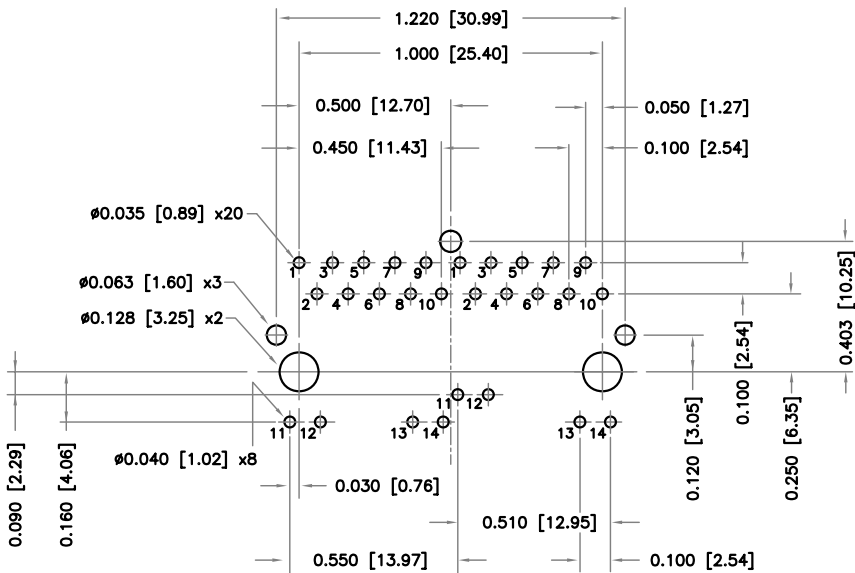


ELECTRICAL SPECIFICATIONS @25° C

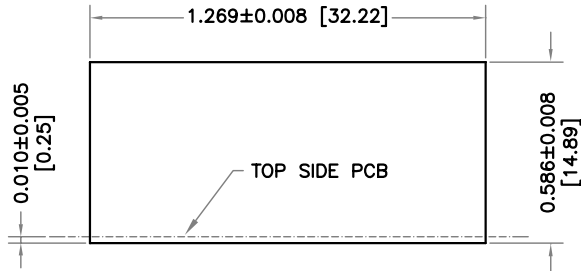
| | |
|----------------------------|------------|
| URNS RATIO | 1:1±3% |
| OCL (100KHz,0.1V,8mA) | 350µH min |
| INSERTION LOSS 1-100MHz | -1.1dB max |
| RETURN LOSS 1-40MHz | -18dB min |
| 60MHz | -14dB min |
| 80MHz | -12dB min |
| 100MHz | -10dB min |
| CROSSTALK 1-100MHz | -35dB typ |
| CMR 0.1-30MHz | -38dB typ |
| 30-60MHz | -35dB typ |
| 60-100MHz | -30dB typ |
| ISOLATION | 1,500Vrms |



| | | | | | | | |
|--|----------|--------------------|------------|-----------------------|--------|-------|------|
| HALO/PBL | TITLE | FastJack™ 1x2 | SIGNATURES | DATE | REV. | DESC. | DATE |
| | FOR | GIGABIT ETHERNET | DRAWN | PETER LU | 7/3/06 | A | |
| CALIFORNIA, USA KOWLOON, HONG KONG SINGAPORE | PART NO. | HFJ12-1G06ER-L11RL | CHECKED | | | | |
| | SCALE | NONE | APPROVED | | | | |
| | PAGE | 1 OF 2 | FILE | HFJ121G06ER-L11RL.DWG | | | |



RECOMMENDED P.C. BOARD PATTERN (COMP. SIDE)
TOLERANCES ±0.002 [0.05] UNLESS SPECIFIED



RECOMMENDED PANEL CUTOUT

| | | | | | | | | |
|--|-----------------------------|-------------|----------------------------|--|--------|------|-------|------|
| HALO/PBL | TITLE FastJack™ 1x2 | | SIGNATURES | | DATE | REV. | DESC. | DATE |
| | FOR GIGABIT ETHERNET | | DRAWN PETER LU | | 7/3/06 | A | | |
| CALIFORNIA, USA KOWLOON, HONG KONG SINGAPORE | PART NO. HFJ12-1G06ER-L11RL | | CHECKED | | | | | |
| | SCALE NONE | PAGE 2 OF 2 | APPROVED | | | | | |
| | | | FILE HFJ121G06ER-L11RL.DWG | | | | | |

X-ON Electronics

Largest Supplier of Electrical and Electronic Components

Click to view similar products for [Modular Connectors](#) / [Ethernet Connectors](#) category:

Click to view products by [Hakko](#) manufacturer:

Other Similar products are found below :

[8949-H88/06BLKA/SN](#) [74441-0010/BKN](#) [MP1010RX-1000](#) [MP44RX-1000](#) [PHJ-4P4C-1-V-4](#) [PHP-6P6C-5](#) [GAX-3-66](#) [GAX-8-62](#) [GDCX-PA-66-50](#) [GDCX-PN-64](#) [GDCX-PN-66](#) [GDCX-PN-66-50](#) [GDLX-A-66](#) [GDLX-N-66](#) [GDLX-S-66](#) [GDLX-S-88K](#) [GDLX-SMT-S-88](#) [GDTX-S-88-50](#) [GDX-PA-1010](#) [GLX-N-1010M-BLK](#) [GLX-S-88M-BLK](#) [GMX-N-1010](#) [GMX-S-1010](#) [GMX-S-66](#) [GMX-SMT4-N-88](#) [GPX-2-64](#) [GSGX-N-2-88](#) [GSGX-N-4-88](#) [GSX-NS2-88-3.05](#) [GSX-NS2-88-3.05-50](#) [GSX-NS-88-3.05-50](#) [PT-108A-8C-UL](#) [PT-J951-8C](#) [PTS-J531-8CS-50UL](#) [1-1775629-2](#) [A-2014-0-4](#) [GWLX-S-88-GR](#) [GWLX-S9-88-YG](#) [DC-1021-8-WH-6](#) [1300530003](#) [1324640-4](#) [RJ11FTVC2G](#) [RJ11FTVC2N](#) [RJFTVX2SA1G](#) [132764-001](#) [1413235](#) [MP88X-1000](#) [MPS88RX-5000](#) [E5288-S000K3-L](#) [E5908-15A242-L](#)