

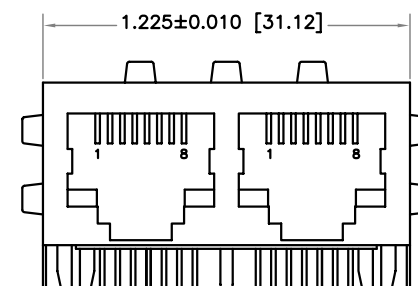
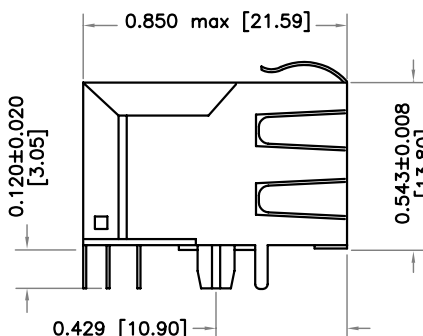
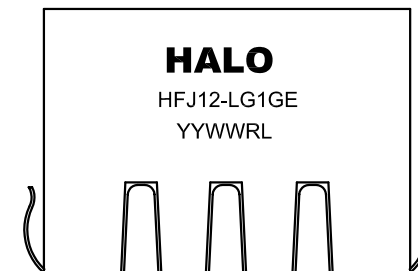
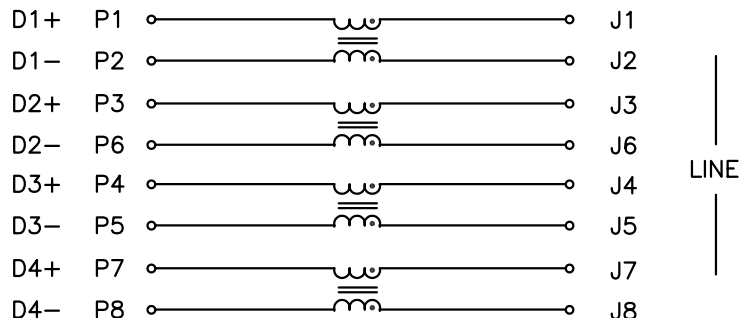
**PART NO. : HFJ12-LG1GERL**



FASTJACK™ WITH BUILT-IN COMMON MODE CHOKES  
 OPTIMIZED FOR 10/100/1000BASE-T APPLICATIONS  
 OPERATING TEMPERATURE 0/+70°C

**ELECTRICAL SPECIFICATIONS @ 25° C**

CHOKE OCL	35µH min
WINDING DCR	0.4Ω max
Cw/w	15pF max
WINDING INSULATION	500Vrms,1minute

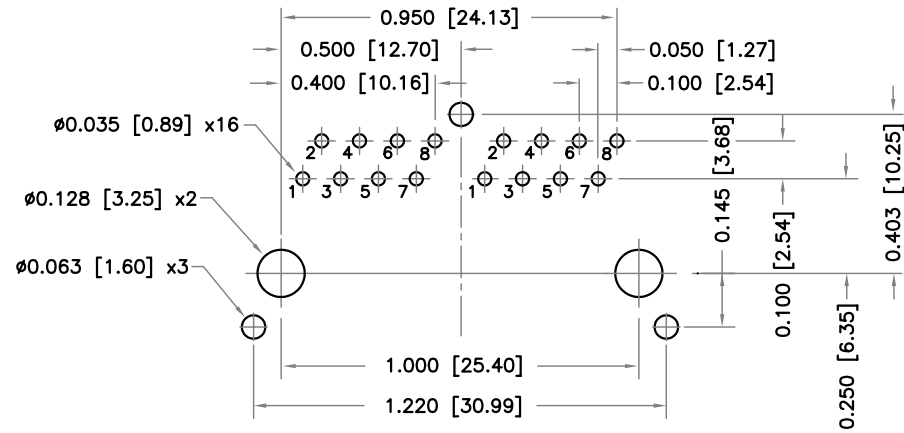


Housing Material: Polyester, Black UL94V-0  
 Contacts: Phosphor Bronze 30µin Au plating over Ni  
 Leads: Matte Sn over Ni plating  
 Shield: Cu Alloy with Ni plating 40µin min  
 Durability: 1000 mating cycles  
 Dimensions: Inch [mm]  
 Tolerances: ±0.008 inch if not specified

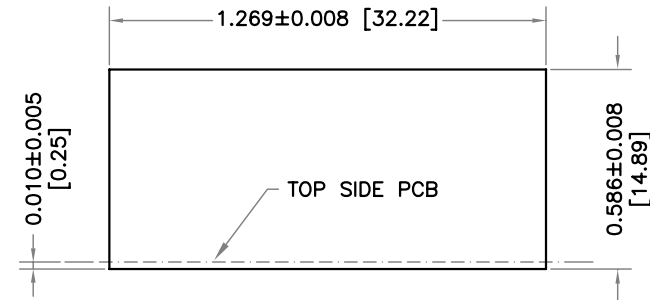
**HALO/PBL**

CALIFORNIA, USA  
 KOWLOON, HONG KONG  
 SINGAPORE

TITLE	FastJack™ 1X2		SIGNATURES		DATE	REV.	DESC.	DATE
	FOR	FAST ETHERNET	DRAWN	PETER LU	5/22/06	A		
PART NO.	HFJ12-LG1GERL		CHECKED					
SCALE	NONE	PAGE	1 OF 2		APPROVED			
			FILE		HFJ12LG1GERL.DWG			



RECOMMENDED P.C. BOARD PATTERN (COMP. SIDE)  
 DIMENSIONS: Inch [mm]



RECOMMENDED PANEL CUTOUT

**HALO/PBL**

CALIFORNIA, USA  
 KOWLOON, HONG KONG  
 SINGAPORE

TITLE	FastJack™ 1X2	SIGNATURES	DATE	REV.	DESC.	DATE
FOR	FAST ETHERNET	DRAWN	PETER LU	5/22/06	A	
PART NO.	HFJ12-LG1GERL	CHECKED				
SCALE	NONE	APPROVED				
PAGE	2 OF 2	FILE	HFJ12LG1GERL.DWG			

## X-ON Electronics

Largest Supplier of Electrical and Electronic Components

*Click to view similar products for [Modular Connectors / Ethernet Connectors](#) category:*

*Click to view products by [Hakko](#) manufacturer:*

Other Similar products are found below :

[8949-H88/06BLKA/SN](#) [74441-0010/BKN](#) [MP1010RX-1000](#) [MP44RX-1000](#) [PHJ-4P4C-1-V-4](#) [PHP-6P6C-5](#) [GAX-3-66](#) [GAX-8-62](#) [GDCX-PA-66-50](#) [GDCX-PN-64](#) [GDCX-PN-66](#) [GDCX-PN-66-50](#) [GDLX-A-66](#) [GDLX-N-66](#) [GDLX-S-66](#) [GDLX-S-88K](#) [GDLX-SMT-S-88](#) [GDTX-S-88-50](#) [GDX-PA-1010](#) [GLX-N-1010M-BLK](#) [GLX-S-88M-BLK](#) [GMX-N-1010](#) [GMX-S-1010](#) [GMX-S-66](#) [GMX-SMT4-N-88](#) [GPX-2-64](#) [GSGX-N-2-88](#) [GSGX-N-4-88](#) [GSX-NS2-88-3.05](#) [GSX-NS2-88-3.05-50](#) [GSX-NS-88-3.05-50](#) [PT-108A-8C-UL](#) [PT-J951-8C](#) [PTS-J531-8CS-50UL](#) [1-1775629-2](#) [A-2014-0-4](#) [GWLX-S-88-GR](#) [GWLX-S9-88-YG](#) [DC-1021-8-WH-6](#) [1300530003](#) [1324640-4](#) [RJ11FTVC2G](#) [RJ11FTVC2N](#) [RJFTVX2SA1G](#) [132764-001](#) [1413235](#) [MP88X-1000](#) [MPS88RX-5000](#) [E5288-S000K3-L](#) [E5908-15A242-L](#)