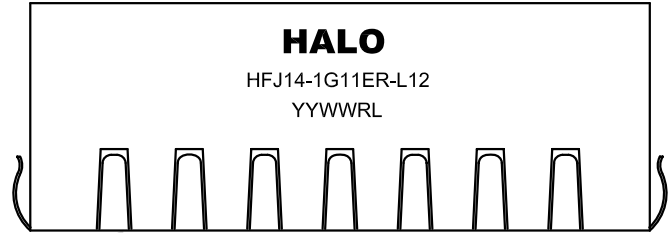


PART NO. : HFJ14-1G11ER-L12RL

1X4 FASTJACK™ WITH 1000BASE-T MAGNETICS
 GIGABIT ETHERNET, IEEE802.3ab COMPLIANT
 RoHS COMPLIANT
 UL/EN60950 RECOGNIZED
 OPERATING TEMPERATURE 0/70°C

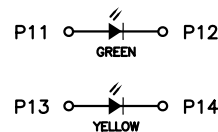
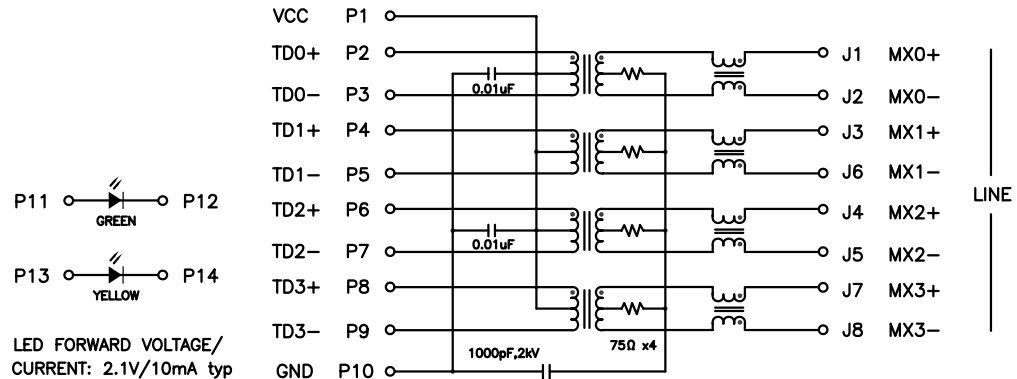
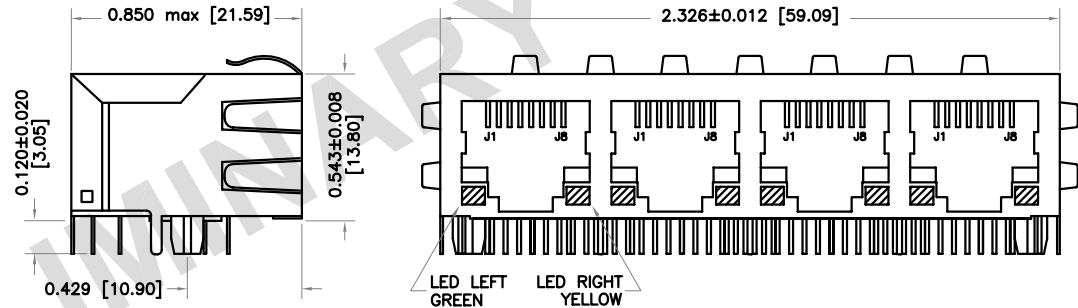


Housing Material: Polyester, Black UL94V-0
 Contacts: Phosphor Bronze 30µin Au plating over Ni
 Leads: Matte Sn over Ni
 Shield: Cu Alloy with Ni plating 40µin min
 Durability: 1000 mating cycles
 Dimensions: Inch [mm]
 Tolerances: ±0.008 inch if not specified



ELECTRICAL SPECIFICATIONS @25° C

URNS RATIO	1:1 ±3%
OCL (100KHz,0.1V,8mADC)	350µH min
INSERTION LOSS	
1-100MHz	-1.1dB max
RETURN LOSS	
1-40MHz	-18dB min
60MHz	-14dB min
80MHz	-12dB min
100MHz	-10dB min
CROSSTALK 1-100MHz	-35dB typ
CMR	
0.1-30MHz	-50dB typ
30-60MHz	-40dB typ
60-100MHz	-35dB typ
ISOLATION	1,500Vrms



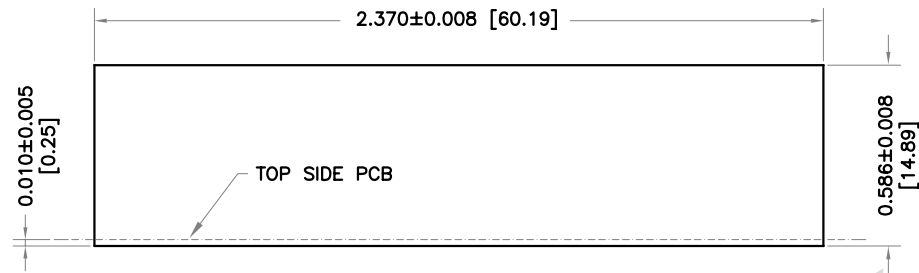
LED FORWARD VOLTAGE/
 CURRENT: 2.1V/10mA typ



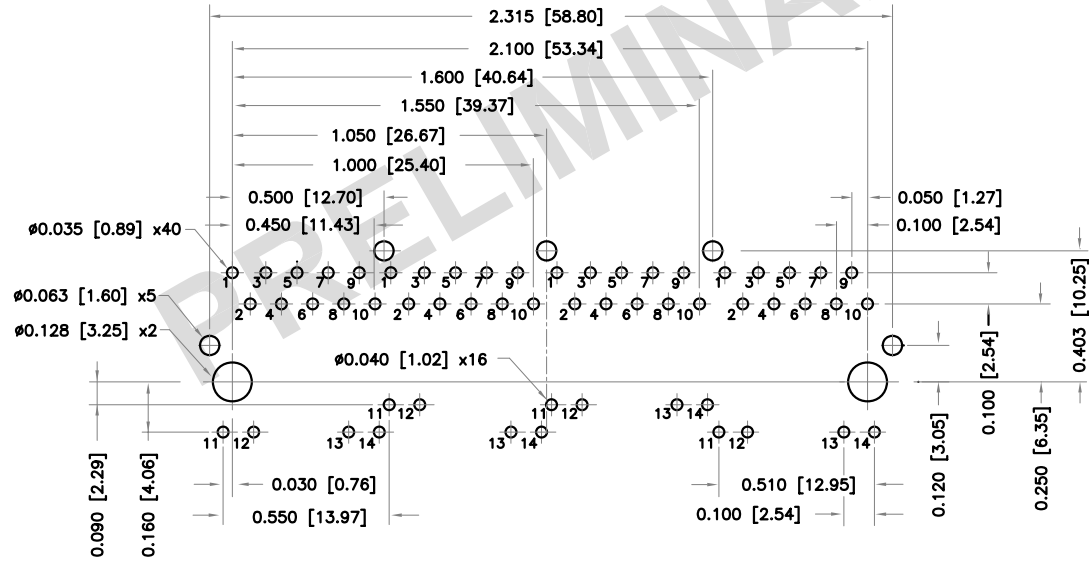
HALO/PBL

CALIFORNIA, USA
 KOWLOON, HONG KONG
 SINGAPORE

TITLE	FastJack™ 1x4	SIGNATURES	DATE	REV.	DESC.	DATE
FOR	GIGABIT ETHERNET	DRAWN	LI ZHI ZHONG	1/11/11	A	FIRST ISSUE
PART NO.	HFJ14-1G11ER-L12RL	CHECKED	LEI KEONG	1/11/11		
SCALE	NONE	APPROVED	PETER LU	1/11/11		
PAGE	1 OF 2	FILE	FJ141G11ER-L12RL.DWG			



RECOMMENDED PANEL CUTOUT



RECOMMENDED P.C. BOARD PATTERN (COMP. SIDE)
TOLERANCES: ±0.002 [0.05] UNLESS SPECIFIED

HALO/PBL

CALIFORNIA, USA
KOWLOON, HONG KONG
SINGAPORE

TITLE	FastJack™ 1x4	SIGNATURES	DATE	REV.	DESC.	DATE
FOR	GIGABIT ETHERNET	DRAWN	LI ZHI ZHONG	1/11/11	A	FIRST ISSUE
PART NO.	HFJ14-1G11ER-L12RL	CHECKED	LEI KEONG	1/11/11		
SCALE	NONE	APPROVED	PETER LU	1/11/11		
PAGE	2 OF 2	FILE	FJ141G11ER-L12RL.DWG			

X-ON Electronics

Largest Supplier of Electrical and Electronic Components

Click to view similar products for [Modular Connectors / Ethernet Connectors](#) category:

Click to view products by [Hakko](#) manufacturer:

Other Similar products are found below :

[8949-H88/06BLKA/SN](#) [74441-0010/BKN](#) [MP1010RX-1000](#) [MP44RX-1000](#) [PHJ-4P4C-1-V-4](#) [PHP-6P6C-5](#) [GAX-3-66](#) [GAX-8-62](#) [GDCX-PA-66-50](#) [GDCX-PN-64](#) [GDCX-PN-66](#) [GDCX-PN-66-50](#) [GDLX-A-66](#) [GDLX-N-66](#) [GDLX-S-66](#) [GDLX-S-88K](#) [GDLX-SMT-S-88](#) [GDTX-S-88-50](#) [GDX-PA-1010](#) [GLX-N-1010M-BLK](#) [GLX-S-88M-BLK](#) [GMX-N-1010](#) [GMX-S-1010](#) [GMX-S-66](#) [GMX-SMT4-N-88](#) [GPX-2-64](#) [GSGX-N-2-88](#) [GSGX-N-4-88](#) [GSX-NS2-88-3.05](#) [GSX-NS2-88-3.05-50](#) [GSX-NS-88-3.05-50](#) [PT-108A-8C-UL](#) [PT-J951-8C](#) [PTS-J531-8CS-50UL](#) [1-1775629-2](#) [A-2014-0-4](#) [GWLX-S-88-GR](#) [GWLX-S9-88-YG](#) [DC-1021-8-WH-6](#) [1300530003](#) [1324640-4](#) [RJ11FTVC2G](#) [RJ11FTVC2N](#) [RJFTVX2SA1G](#) [132764-001](#) [1413235](#) [MP88X-1000](#) [MPS88RX-5000](#) [E5288-S000K3-L](#) [E5908-15A242-L](#)