



## Product Features:

- 10/100 Ethernet RJ45
- IEEE802.3u Compliant
- 30µ" Gold Plating (min) on Contacts
- 350µH min OCL at 8mA DC Bias Across the Full Temp Range
- 100% Electrical Testing
- 1500Vrms Hi-Pot
- Proprietary Robust Contact Design

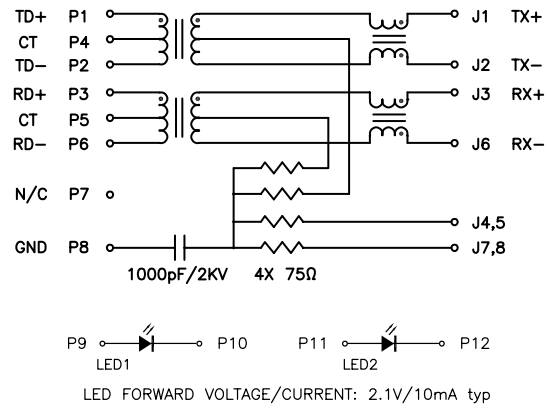
Part Number		Footprint	LED's (L/R)	Return Loss (min)				Insertion Loss (typ)
Standard Temp (0 to 70°C)	Extended Temp (-40 to +85°C)			1-30MHz	40MHz	50MHz	60-80MHz	
HFJ11-2450HRL	HFJ11-E2450HRL	A	None	-18dB	-15.5dB	-13.6dB	-12dB	-1.1dB
HFJ11-2450ERL <sup>1</sup>	HFJ11-E2450ERL <sup>1</sup>	B	None	-18dB	-15.5dB	-13.6dB	-12dB	-1.1dB
HFJ11-2450E-L11RL	HFJ11-E2450E-L11RL	C	G/G	-18dB	-15.5dB	-13.6dB	-12dB	-1.1dB
HFJ11-2450E-L12RL	HFJ11-E2450E-L12RL	C	G/Y	-18dB	-15.5dB	-13.6dB	-12dB	-1.1dB
HFJ11-2450E-L15RL	HFJ11-E2450E-L15RL	C	G/G(Y)	-18dB	-15.5dB	-13.6dB	-12dB	-1.1dB
HFJ11-2450E-L17RL	HFJ11-E2450E-L17RL	C	G/G(O)	-18dB	-15.5dB	-13.6dB	-12dB	-1.1dB
HFJ11-2450E-L21RL	HFJ11-E2450E-L21RL	C	Y/G	-18dB	-15.5dB	-13.6dB	-12dB	-1.1dB
HFJ11-2450E-L55RL	HFJ11-E2450E-L55RL	C	G(Y)/G(Y)	-18dB	-15.5dB	-13.6dB	-12dB	-1.1dB
HFJ11-2450E-L56RL	HFJ11-E2450E-L56RL	C	G(Y)/Y(G)	-18dB	-15.5dB	-13.6dB	-12dB	-1.1dB
HFJ11-2450E-L77RL	HFJ11-E2450E-L77RL	C	G(O)/G(O)	-18dB	-15.5dB	-13.6dB	-12dB	-1.1dB
HFJ11-2450E-L78RL	HFJ11-E2450E-L78RL	C	G(O)/O(G)	-18dB	-15.5dB	-13.6dB	-12dB	-1.1dB
HFJ11-245HGRRRL	HFJ11-E245HGRRRL	GR-1089 Intra-Building Lightning Protection						
HFJ11-245HGRPRL	HFJ11-E245HGRPRL	GR-1089 Intra-Building Enhanced Lightning Protection						
HFJ11-2450GRRL <sup>1</sup>	HFJ11-E2450GRRL <sup>1</sup>	GR-1089 Intra-Building Lightning Protection						
HFJ11-2450GRPRL <sup>1</sup>	HFJ11-E2450GRPRL <sup>1</sup>	GR-1089 Intra-Building Enhanced Lightning Protection						

## Notes:

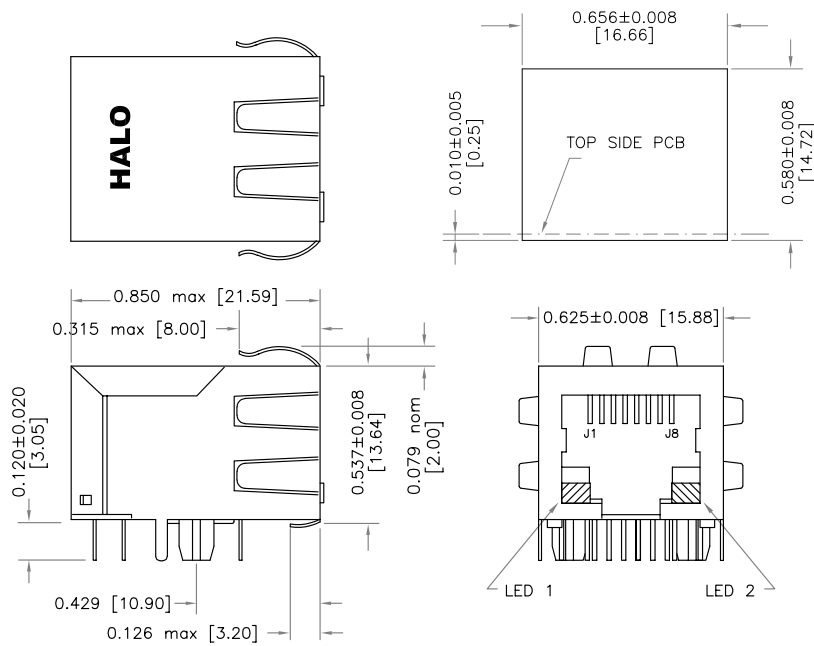
1. Not recommended for new designs.
2. LED Key : G = Green, Y = Yellow, O = Orange, ( ) = Bi-Color
3. Other LED colors, bi-colors, polarities, and current limiting versions available.
4. Unshielded or shielded without ground tabs available.
5. Part specific datasheets available.
6. Contact the factory for more information regarding GR-1089 lightning FastJacks.

# HALO 10/100BASE-TX Ethernet Family of FastJacks

## Circuit

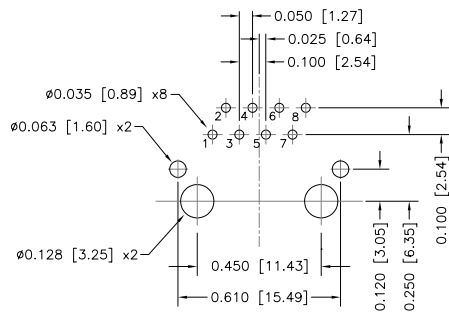


## Mechanical

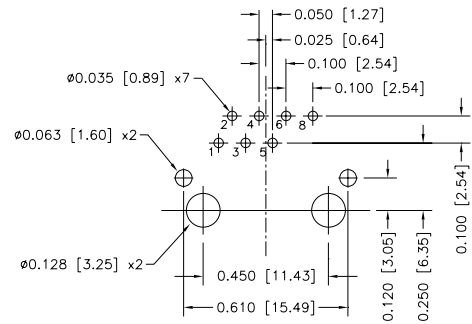


Dimensions are in inches [mm]

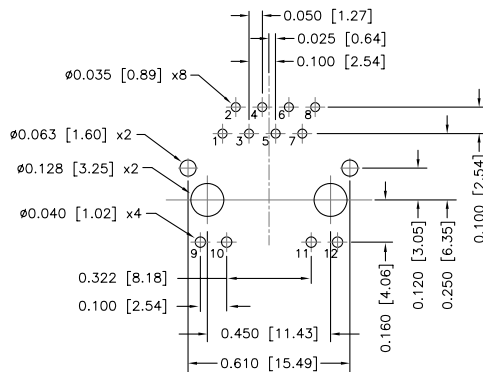
Footprint A



Footprint B



Footprint C



Recommended PCB Layout  
(Component Side)

Dimensions are in inches [mm]



2880 Lakeside Drive #116  
Santa Clara, CA 95054  
(650) 903-3800  
[www.haloelectronics.com](http://www.haloelectronics.com)

HALO® Electronics is a leading supplier of high quality communication magnetics including signal transformers, filters, CMR chokes, PoE power transformers, DC/DC converters, and integrated Ethernet connectors. HALO's leading edge technology solutions are manufactured in ISO9001 and ISO14001 factories offering high quality products at a competitive price.

## X-ON Electronics

Largest Supplier of Electrical and Electronic Components

*Click to view similar products for [Modular Connectors / Ethernet Connectors](#) category:*

*Click to view products by [Hakko](#) manufacturer:*

Other Similar products are found below :

[8949-H88/06BLKA/SN](#) [74441-0010/BKN](#) [MP1010RX-1000](#) [MP44RX-1000](#) [PHJ-4P4C-1-V-4](#) [PHP-6P6C-5](#) [GAX-3-66](#) [GAX-8-62](#) [GDCX-PA-66-50](#) [GDCX-PN-64](#) [GDCX-PN-66](#) [GDCX-PN-66-50](#) [GDLX-A-66](#) [GDLX-N-66](#) [GDLX-S-66](#) [GDLX-S-88K](#) [GDLX-SMT-S-88](#) [GDTX-S-88-50](#) [GDX-PA-1010](#) [GLX-N-1010M-BLK](#) [GLX-S-88M-BLK](#) [GMX-N-1010](#) [GMX-S-1010](#) [GMX-S-66](#) [GMX-SMT4-N-88](#) [GPX-2-64](#) [GSGX-N-2-88](#) [GSGX-N-4-88](#) [GSX-NS2-88-3.05](#) [GSX-NS2-88-3.05-50](#) [GSX-NS-88-3.05-50](#) [PT-108A-8C-UL](#) [PT-J951-8C](#) [PTS-J531-8CS-50UL](#) [1-1775629-2](#) [A-2014-0-4](#) [GWLX-S-88-GR](#) [GWLX-S9-88-YG](#) [DC-1021-8-WH-6](#) [1300530003](#) [1324640-4](#) [RJ11FTVC2G](#) [RJ11FTVC2N](#) [RJFTVX2SA1G](#) [132764-001](#) [1413235](#) [MP88X-1000](#) [MPS88RX-5000](#) [E5288-S000K3-L](#) [E5908-15A242-L](#)