

# PART NO. : HFJT1-RP22-L12RL



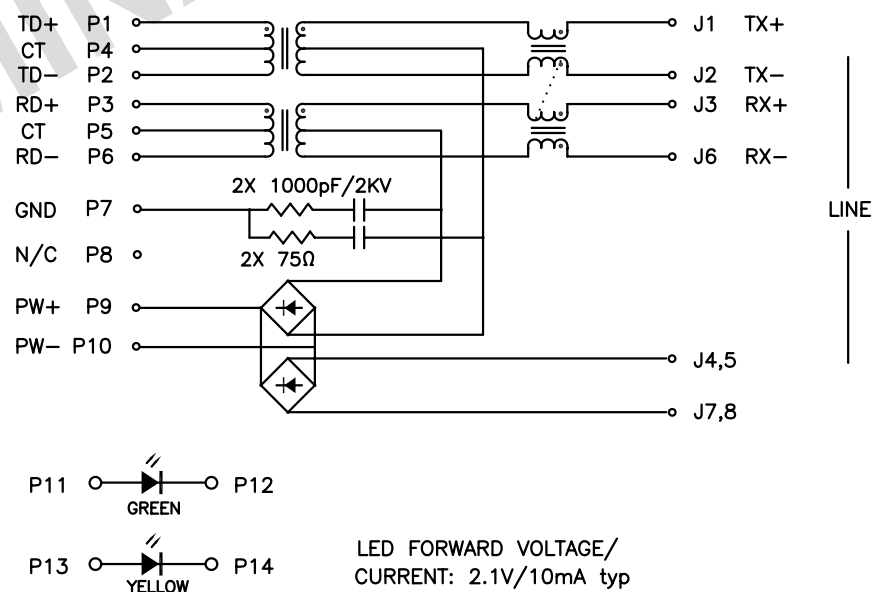
FASTJACK™ (TAB-UP) WITH 10/100BASE-TX MAGNETICS  
 DESIGNED FOR FAST ETHERNET IEEE802.3af APPLICATIONS  
 POWER ON USED OR UNUSED PAIRS FOR UP TO 350mADC  
 RoHS COMPLIANT

COMPATIBLE TO LEAD-FREE WAVE SOLDERING PROCESS  
 FOR THROUGH HOLE COMPONENTS

OPERATING TEMPERATURE 0 TO 55°C

## ELECTRICAL SPECIFICATIONS @ 25° C

Turns Ratio	1CT:1 ±3%
OCL (100KHz,0.1Vrms,8mA)	350µH min
DCR P1-P2,P3-P6	0.9Ω max
Insertion Loss 0.1-100MHz	-1.1dB max
Return Loss 0.5-30MHz	-18dB min
40MHz	-15.5dB min
50MHz	-13.6dB min
60-80MHz	-12dB min
Crosstalk 0.1-100MHz	-38dB typ
CMR 0.1-30MHz	-50dB typ
30-60MHz	-40dB typ
60-100MHz	-30dB typ
Isolation	1,500Vrms

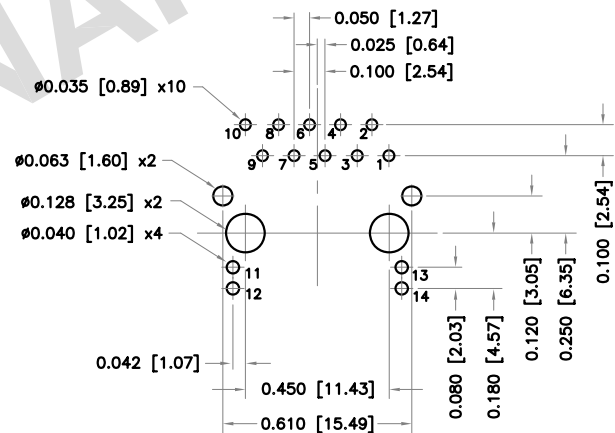
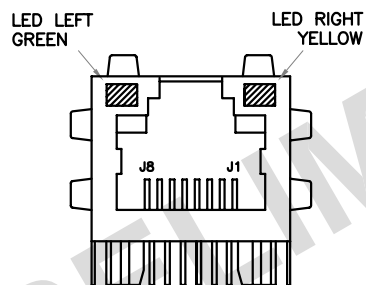
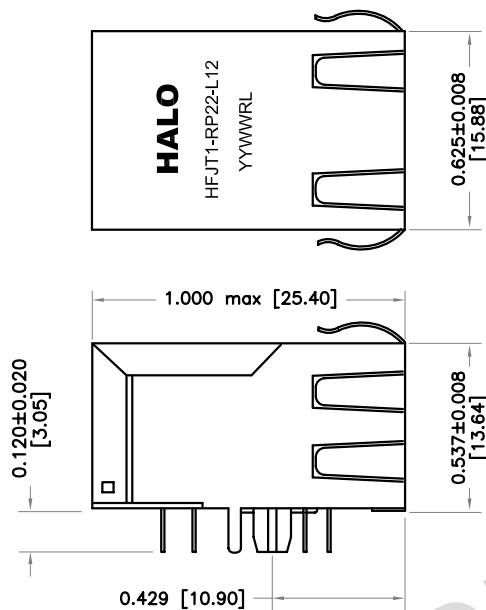


PRELIMINARY

<b>HALO/PBL</b>	TITLE FastJack™ SINGLE		SIGNATURES		DATE	REV.	DESC.	DATE
	FOR FAST ETHERNET IEEE802.3af		DRAWN PETER LU		5/27/09	A	FIRST ISSUE	5/27/09
	PART NO. HFJT1-RP22-L12RL		CHECKED LEI KEONG		5/27/09			
	SCALE NONE		PAGE 1 OF 2		APPROVED PETER LU	5/27/09		
FILE HFJT1-RP22-L12RL.DWG								

CALIFORNIA, USA  
KOWLOON, HONG KONG  
SINGAPORE





RECOMMENDED P.C. BOARD PATTERN (COMP. SIDE)

Housing Material: Polyester, Black UL94V-0  
 Contacts: Phosphor Bronze 30µin Au plating over Ni  
 Leads: Matte Sn over Ni  
 Shield: Cu Alloy with Ni plating 40µin min  
 Durability: 1000 mating cycles  
 Dimensions: Inch [mm]  
 Tolerances: ±0.008 inch if not specified

<b>HALO/PBL</b>	TITLE FastJack™ SINGLE		SIGNATURES		DATE	REV.	DESC.	DATE
	FOR FAST ETHERNET IEEE802.3af		DRAWN PETER LU		5/27/09	A	FIRST ISSUE	5/27/09
	PART NO. HFJT1-RP22-L12RL		CHECKED LEI KEONG		5/27/09			
	SCALE NONE		PAGE 2 OF 2		APPROVED PETER LU	5/27/09		
CALIFORNIA, USA KOWLOON, HONG KONG SINGAPORE				FILE HFJT1-RP22-L12RL.DWG				

## X-ON Electronics

Largest Supplier of Electrical and Electronic Components

*Click to view similar products for [Modular Connectors / Ethernet Connectors](#) category:*

*Click to view products by [Hakko](#) manufacturer:*

Other Similar products are found below :

[8949-H88/06BLKA/SN](#) [74441-0010/BKN](#) [MP1010RX-1000](#) [MP44RX-1000](#) [PHJ-4P4C-1-V-4](#) [PHP-6P6C-5](#) [GAX-3-66](#) [GAX-8-62](#) [GDCX-PA-66-50](#) [GDCX-PN-64](#) [GDCX-PN-66](#) [GDCX-PN-66-50](#) [GDLX-A-66](#) [GDLX-N-66](#) [GDLX-S-66](#) [GDLX-S-88K](#) [GDLX-SMT-S-88](#) [GDTX-S-88-50](#) [GDX-PA-1010](#) [GLX-N-1010M-BLK](#) [GLX-S-88M-BLK](#) [GMX-N-1010](#) [GMX-S-1010](#) [GMX-S-66](#) [GMX-SMT4-N-88](#) [GPX-2-64](#) [GSGX-N-2-88](#) [GSGX-N-4-88](#) [GSX-NS2-88-3.05](#) [GSX-NS2-88-3.05-50](#) [GSX-NS-88-3.05-50](#) [PT-108A-8C-UL](#) [PT-J951-8C](#) [PTS-J531-8CS-50UL](#) [1-1775629-2](#) [A-2014-0-4](#) [GWLX-S-88-GR](#) [GWLX-S9-88-YG](#) [DC-1021-8-WH-6](#) [1300530003](#) [1324640-4](#) [RJ11FTVC2G](#) [RJ11FTVC2N](#) [RJFTVX2SA1G](#) [132764-001](#) [1413235](#) [MP88X-1000](#) [MPS88RX-5000](#) [E5288-S000K3-L](#) [E5908-15A242-L](#)