

PART NO. : HFJT1-RP22RL



FASTJACK™ (TAB-UP) WITH 10/100BASE-TX MAGNETICS
 DESIGNED FOR FAST ETHERNET IEEE802.3af APPLICATIONS
 POWER ON USED OR UNUSED PAIRS FOR UP TO 350mADC

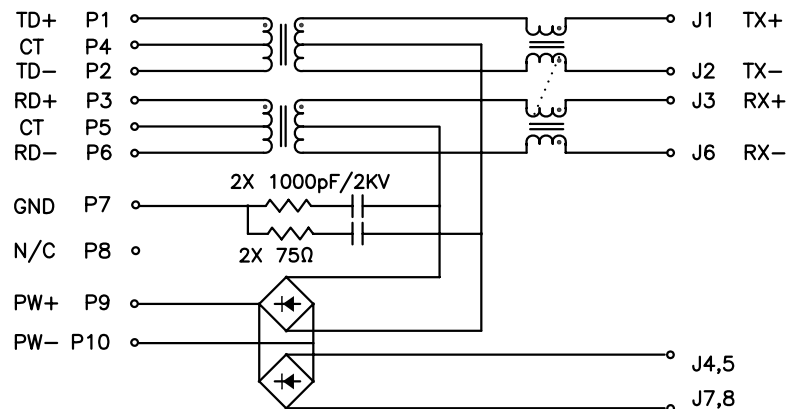
RoHS COMPLIANT

COMPATIBLE TO LEAD-FREE WAVE SOLDERING PROCESS
 FOR THROUGH HOLE COMPONENTS

OPERATING TEMPERATURE 0 TO 55°C

ELECTRICAL SPECIFICATIONS @ 25° C

TURNS RATIO OCL (100KHz,0.1Vrms,8mA) DCR P1-P2,P3-P6 INSERTION LOSS 0.1-100MHz RETURN LOSS 0.5-30MHz 40MHz 50MHz 60-80MHz CROSSTALK 0.1-100MHz CMR 0.1-30MHz 30-60MHz 60-100MHz ISOLATION	1CT:1 ±3% 350µH min 0.9Ω max -1.1dB max -18dB min -15.5dB min -13.6dB min -12dB min -38dB typ -50dB typ -40dB typ -30dB typ 1,500Vrms
---	---



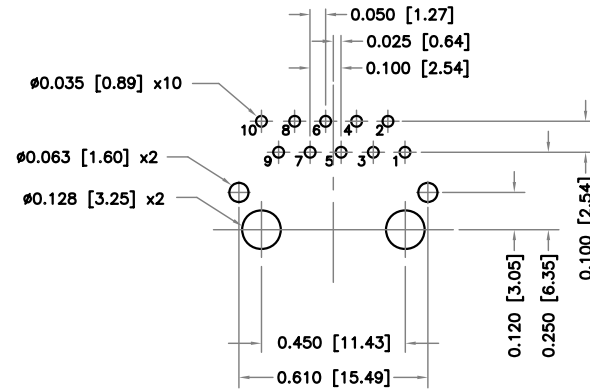
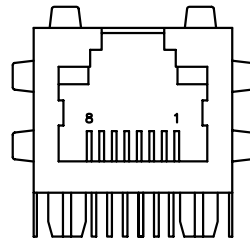
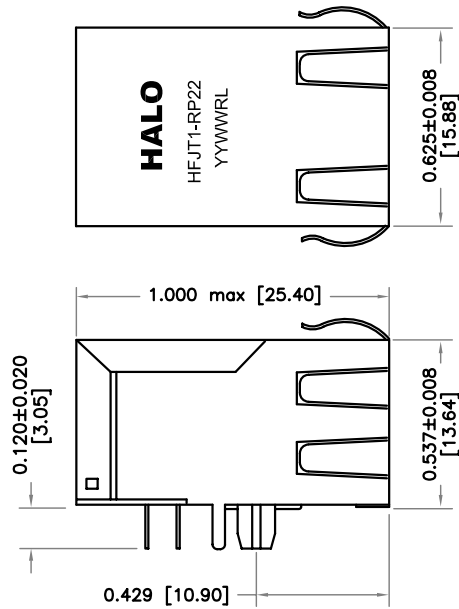
LINE



HALO/PBL

CALIFORNIA, USA
 KOWLOON, HONG KONG
 SINGAPORE

TITLE	FastJack™ SINGLE	SIGNATURES	DATE	REV.	DESC.	DATE
FOR	FAST ETHERNET IEEE802.3af	DRAWN	PETER LU	4/12/07	A	FIRST ISSUE
PART NO.	HFJT1-RP22RL	CHECKED	LEI KEONG	4/12/07		
SCALE	NONE	APPROVED	PETER LU	4/12/07		
PAGE	1 OF 2	FILE	HFJT1-RP22RL.DWG			



Housing Material: Polyester, Black UL94V-0
 Contacts: Phosphor Bronze 30µin Au plating over Ni
 Leads: Matte Sn plating over Ni
 Shield: Cu Alloy with Ni plating 40µin min
 Durability: 1000 mating cycles
 Dimensions: Inch [mm]
 Tolerancs: ±0.008 inch if not specified

RECOMMENDED P.C. BOARD PATTERN (COMP. SIDE)

HALO/PBL	TITLE		FastJack™ SINGLE		SIGNATURES		DATE	REV.	DESC.	DATE	
	FOR		FAST ETHERNET IEEE802.3af		DRAWN		PETER LU	4/12/07	A	FIRST ISSUE	4/12/07
	PART NO.		HFJT1-RP22RL		CHECKED		LEI KEONG	4/12/07			
	SCALE		NONE		APPROVED		PETER LU	4/12/07			
CALIFORNIA, USA KOWLOON, HONG KONG SINGAPORE		PAGE		2 OF 2		FILE		HFJT1-RP22RL.DWG			

X-ON Electronics

Largest Supplier of Electrical and Electronic Components

Click to view similar products for [Modular Connectors / Ethernet Connectors](#) category:

Click to view products by [Hakko](#) manufacturer:

Other Similar products are found below :

[8949-H88/06BLKA/SN](#) [74441-0010/BKN](#) [MP1010RX-1000](#) [MP44RX-1000](#) [PHJ-4P4C-1-V-4](#) [PHP-6P6C-5](#) [GAX-3-66](#) [GAX-8-62](#) [GDCX-PA-66-50](#) [GDCX-PN-64](#) [GDCX-PN-66](#) [GDCX-PN-66-50](#) [GDLX-A-66](#) [GDLX-N-66](#) [GDLX-S-66](#) [GDLX-S-88K](#) [GDLX-SMT-S-88](#) [GDTX-S-88-50](#) [GDX-PA-1010](#) [GLX-N-1010M-BLK](#) [GLX-S-88M-BLK](#) [GMX-N-1010](#) [GMX-S-1010](#) [GMX-S-66](#) [GMX-SMT4-N-88](#) [GPX-2-64](#) [GSGX-N-2-88](#) [GSGX-N-4-88](#) [GSX-NS2-88-3.05](#) [GSX-NS2-88-3.05-50](#) [GSX-NS-88-3.05-50](#) [PT-108A-8C-UL](#) [PT-J951-8C](#) [PTS-J531-8CS-50UL](#) [1-1775629-2](#) [A-2014-0-4](#) [GWLX-S-88-GR](#) [GWLX-S9-88-YG](#) [DC-1021-8-WH-6](#) [1300530003](#) [1324640-4](#) [RJ11FTVC2G](#) [RJ11FTVC2N](#) [RJFTVX2SA1G](#) [132764-001](#) [1413235](#) [MP88X-1000](#) [MPS88RX-5000](#) [E5288-S000K3-L](#) [E5908-15A242-L](#)