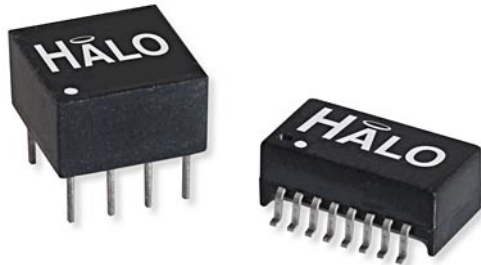


Dual 1:1 CMC Filters

DIL and SMD Packages



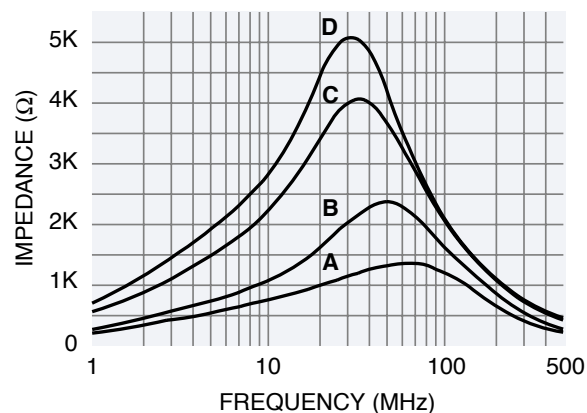
Product Features:

- Standard series of dual CMC filters for Data Communications and Telecom applications.
- These devices should be located on the LIU side of the protection circuitry in Telecom products.
- 500Vrms Hi-Pot
- UL recognized materials

Part Number	Package	OCL (μH)	Cw/w (pF max)	DCR (Ω max)	Impedance/Freq. Curve (Typ.)	Temp Range
LG01-0346N1LF	SMD	35 Min.	15	0.30	B	-40 to +85 °C
LD01-0166F4LF	DIL	16 Min.	15	0.25	A	0 to +70 °C
LD01-0366F4LF	DIL	36 Min.	20	0.25	B	0 to +70 °C
LG01-0356N1LF	SMD	35 Min.	10	0.30	B	-40 to +85 °C
LG01-0856N1LF	SMD	85 Typ.	20	0.55	C	-40 to +85 °C
LG01-1006N1LF	SMD	100 Typ.	25	0.65	D	-40 to +85 °C

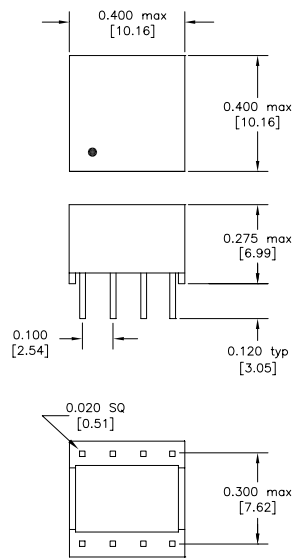
Notes:

1. Not recommended for applications providing remote power feed.
2. LF suffix is RoHS compliant and Pb-Free. RL suffix is RoHS compliant (exemption 7a, expected to expire July 2016)



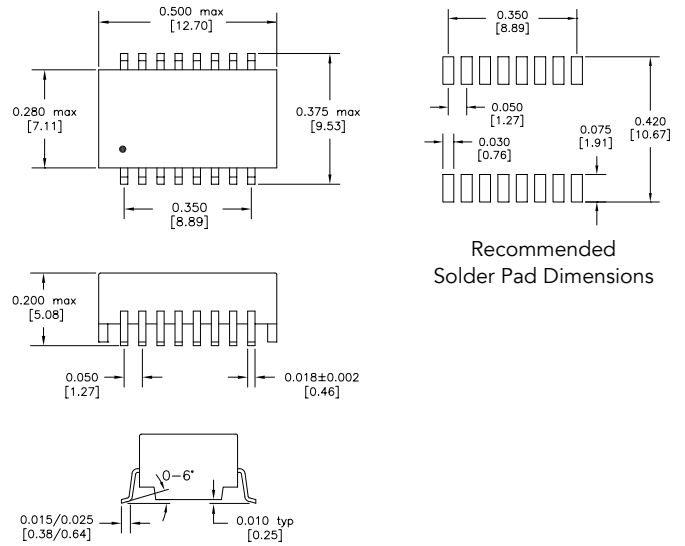
Dual 1:1 CMC Filters

DIL Package (F4)



Dimensions: inches [mm]

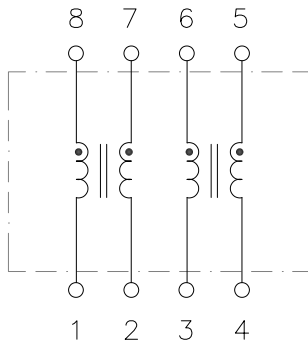
SMD Package (N)



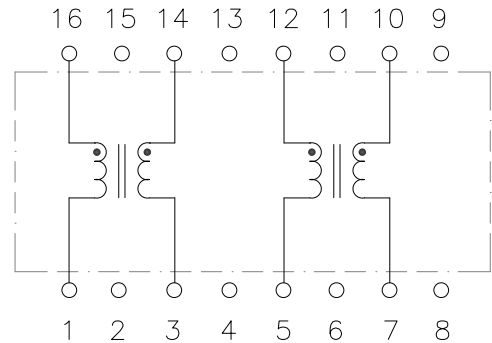
Recommended Solder Pad Dimensions

Dimensions: inches [mm]
Co-Planarity: 0.004 [0.10]

Schematic for DIL Package



Schematic for SMD Package



US Patent Numbers for SMD products
5,656,985 6,297,721 B1
6,297,720 B1 6,320,489 B1
6,344,785 B1 6,662,431 B1



2880 Lakeside Drive #116
Santa Clara, CA 95054
(650) 903-3800
www.haloelectronics.com

HALO® Electronics is a leading supplier of high quality communication magnetics including signal transformers, filters, CMR chokes, PoE power transformers, DC/DC converters, and integrated Ethernet connectors. HALO's leading edge technology solutions are manufactured in ISO9001 and ISO14001 factories offering high quality products at a competitive price.

X-ON Electronics

Largest Supplier of Electrical and Electronic Components

Click to view similar products for [Common Mode Chokes / Filters](#) category:

Click to view products by [Hakko](#) manufacturer:

Other Similar products are found below :

[74279408](#) [PE-62911NL](#) [PE-64683](#) [ST6118T-R](#) [T8114NLT](#) [RD5122-10-6M0](#) [TCM0806G-350-2P-T](#) [TCM0806G-650-2P-T](#) [IND-0110](#)
[UAL21V07012500](#) [UALSC023000000](#) [UALSC1520JH000](#) [UALSU16VD40010](#) [UALSU9H0305000](#) [UALSU9HF060300](#)
[UALSU9VD070100](#) [36-00037](#) [5701610000](#) [UALW21HS072450](#) [UALSU9VD070400](#) [UALSU9HF050500](#) [UALSU9H0208000](#)
[UALSCF25081300](#) [UAL24VK06450CH](#) [PLT10HH501100PNB](#) [PLT10HH401100PNB](#) [PLT10HH1026R0PNB](#) [PE-67531](#) [EXC-X4CH120X](#)
[TLH10UB](#) [113 0R5](#) [2752041447](#) [2752045447](#) [CMS3-11-R](#) [7351V](#) [CMF16-153131](#) [744252510](#) [T8116NLT](#) [FE2X10-4-2NL](#) [744253200](#)
[744253101](#) [744252220](#) [TX8111NLT](#) [UAL30VR3500470](#) [CTX01-19077-R](#) [T8003NLT](#) [CTX01-13663](#) [CTX66-19521-R](#) [7446630047](#)
[RC212-0.25-47M](#) [RC112-0.4-15M](#)