

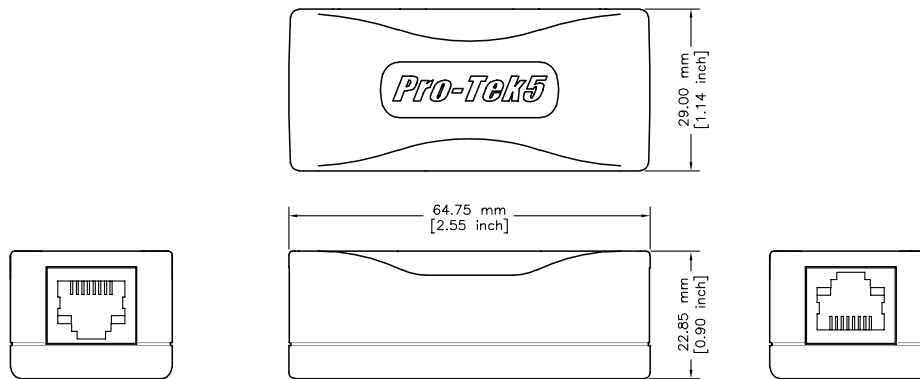
PRO-TEK5

Intra-Building Lightning Strike Protector

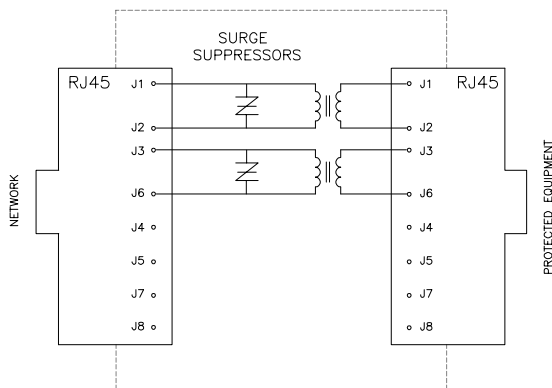
The PTG-2T series of lightning strike protector provides GR1089 Intra-building compliant common and differential protection to each of the data pairs in an easy-to-use, in-line design. The Pro-Tek5 Systems lightning strike protector series has been designed to meet the return loss requirements of IEEE802.3 enabling full transmit and receive communication distances.



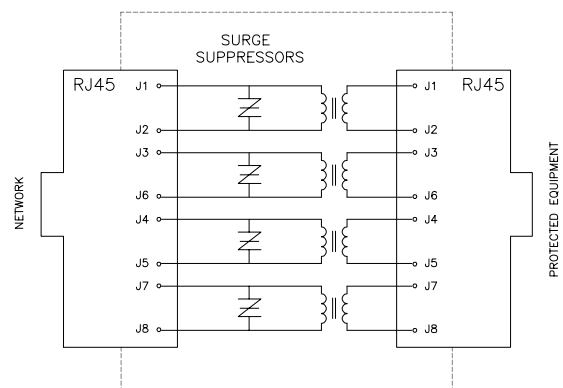
Mechanical Drawing



Circuit Drawings



Circuit A



Circuit B

1.5KV Isolation
UL94-V0 materials.

| <i>Pro-Tek5 Systems P/N</i> | <i>Application</i> | <i>Operating Temp.</i> | <i>Circuit</i> |
|-----------------------------|-------------------------|------------------------|----------------|
| PTG-2T101007 | 10BASE-T, 10/100BASE-TX | -40 / +85C | A |
| PTG-2T1G0008 | Gigabit 1000BASE-T | -40 / +55C | B |

Pro-Tek5 Systems, Ltd. products are available exclusively through Halo Electronics, Inc. For more information, please contact Halo Electronics, Inc. at www.haloelectronics.com or contact your local HALO representative or distributor.

X-ON Electronics

Largest Supplier of Electrical and Electronic Components

Click to view similar products for [Surge Suppressors](#) category:

Click to view products by [Hakko](#) manufacturer:

Other Similar products are found below :

[GUS1](#) [GUS12](#) [BSPM1A600D600LVR](#) [2800521](#) [29-2053](#) [GUS11](#) [GUS2](#) [GUS3](#) [GUS4](#) [30460](#) [SRA64C060X](#) [PC642C015](#) [1810-15-A3](#)
[2713175](#) [4B06B-EC1-150LF](#) [SRA6LC](#) [BPMA75D100LV](#) [CX06M](#) [CCTV1](#) [GUS13](#) [GUS14](#) [GUS5](#) [GUS6](#) [VAL-MS 320/3+0-FM](#) [VAL-US-](#)
[120/40/1+1-FM](#) [VAL-US-120/65/1+1-FM](#) [VAL-US-480D/30/3+0-FM](#) [VAL-US-120/40/1+0-FM](#) [STCHSP121BT1RU](#) [LP-STRL-NFF](#) [LP-](#)
[STRL-DFE](#) [GUS22](#) [0804111](#) [5053609](#) [5053201](#) [SPD2-150-1P0](#) [SPD2-550-1P0](#) [6720005416](#) [6720005417](#) [1-2191595-2](#) [STC-CAT6-P0E-I](#)
[SPD2-350-1P0](#) [FLT-CP-350-ST](#) [TTC-6P-3-HF-F-M-12DC-UT-I](#) [TTC-6-2X1-24DC-UT](#) [SMTPA200](#) [2800989](#) [2906776](#) [2906810](#) [2906847](#)