

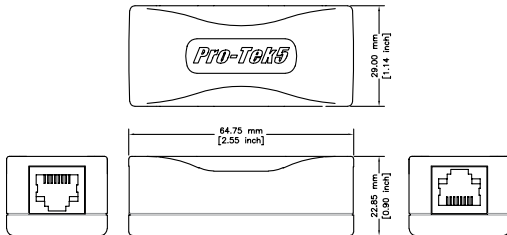
PRO-TEK5

5KV Isolator

The Pro-Tek5 Systems Isolator affords a convenient method of creating 5KV isolation to equipment located in an Ethernet cabling system. The Pro-Tek5 Systems Isolator provides IEEE802.3 compliant return loss and insertion loss performance while meeting the most stringent isolation requirements. Reinforced insulation is used to achieve a high level of isolation for applications with working voltages up to 300V.

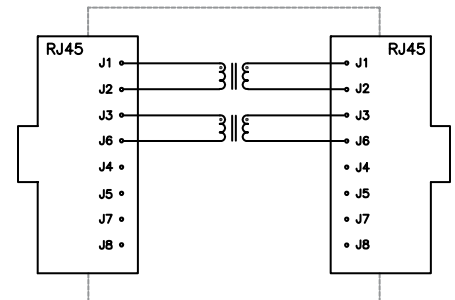


Mechanical Drawing

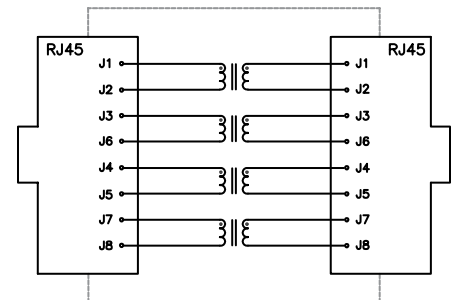


Circuit Drawings

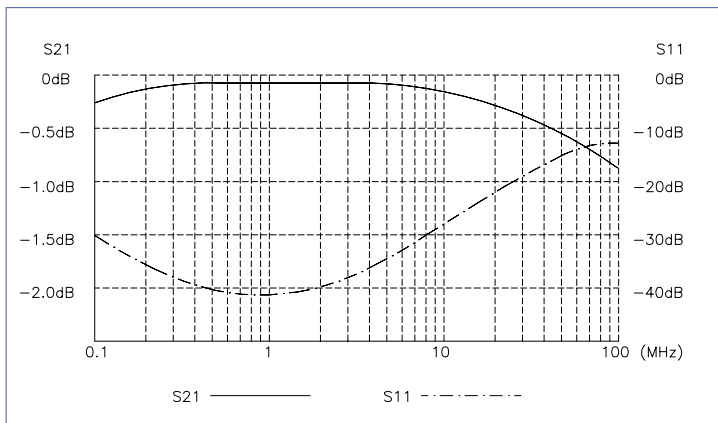
Circuit A



Circuit B



Frequency Response



UL94-V0 materials

Meets UL60950 for 5KV isolation at working voltages up to 300Volts.

Pro-Tek5 Systems P/N	Application	Isolation	Operating Temp.	Circuit
PTI-45101001	10BASE-T, 10/100BASE-TX	5KV	-10 / +85C	A
PTI-451G0002	Gigabit	5KV	-10 / +85C	B

Pro-Tek5 Systems, Ltd. products are available exclusively through Halo Electronics, Inc. For more information, please contact Halo Electronics, Inc. at www.haloelectronics.com or contact your local HALO representative or distributor.

X-ON Electronics

Largest Supplier of Electrical and Electronic Components

Click to view similar products for [Modular Connectors](#) / [Ethernet Connectors](#) category:

Click to view products by [Hakko](#) manufacturer:

Other Similar products are found below :

[8949-H88/06BLKA/SN](#) [74441-0010/BKN](#) [MP1010RX-1000](#) [MP44RX-1000](#) [PHJ-4P4C-1-V-4](#) [PHP-6P6C-5](#) [GAX-3-66](#) [GAX-8-62](#) [GDCX-PA-66-50](#) [GDCX-PN-64](#) [GDCX-PN-66](#) [GDCX-PN-66-50](#) [GDLX-A-66](#) [GDLX-N-66](#) [GDLX-S-66](#) [GDLX-S-88K](#) [GDLX-SMT-S-88](#) [GDTX-S-88-50](#) [GDX-PA-1010](#) [GLX-N-1010M-BLK](#) [GLX-S-88M-BLK](#) [GMX-N-1010](#) [GMX-S-1010](#) [GMX-S-66](#) [GMX-SMT4-N-88](#) [GPX-2-64](#) [GSGX-N-2-88](#) [GSGX-N-4-88](#) [GSX-NS2-88-3.05](#) [GSX-NS2-88-3.05-50](#) [GSX-NS-88-3.05-50](#) [PT-108A-8C-UL](#) [PT-J951-8C](#) [PTS-J531-8CS-50UL](#) [1-1775629-2](#) [A-2014-0-4](#) [GWLX-S-88-GR](#) [GWLX-S9-88-YG](#) [DC-1021-8-WH-6](#) [1300530003](#) [1324640-4](#) [RJ11FTVC2G](#) [RJ11FTVC2N](#) [RJFTVX2SA1G](#) [132764-001](#) [1413235](#) [MP88X-1000](#) [MPS88RX-5000](#) [E5288-S000K3-L](#) [E5908-15A242-L](#)