



**PART NO. : TD04-1006QRL**

16PIN DIP ISOLATION MODULE  
 MEET REQUIREMENTS OF 10BASE-T  
 FILTERLESS SOLUTION

UL/EN60950 AND DEMKO RECOGNIZED  
 RoHS COMPLIANT

COMPATIBLE TO LEAD-FREE WAVE SOLDERING  
 PROCESS FOR THROUGH HOLE COMPONENTS  
 EXTENDED OPERATING TEMPERATURE 0/70°C

**ELECTRICAL SPECIFICATIONS @25°C**

URNS RATIO

P1-3:P16-14                    1CT:1CT ±3%  
 P6-8:P11-9                    1CT:1CT ±3%

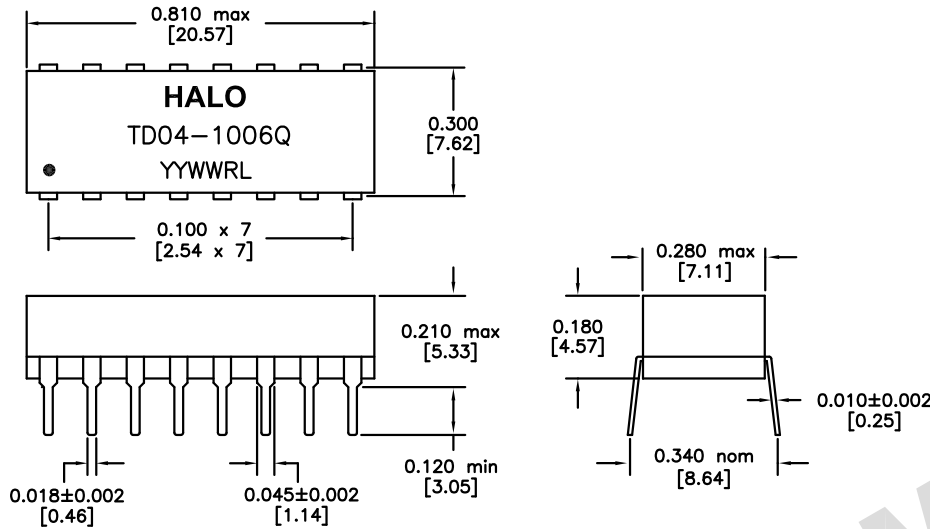
OCL P1-3,P6-8                    100µH typ

DCR P1-3,P6-8                    0.3Ω max

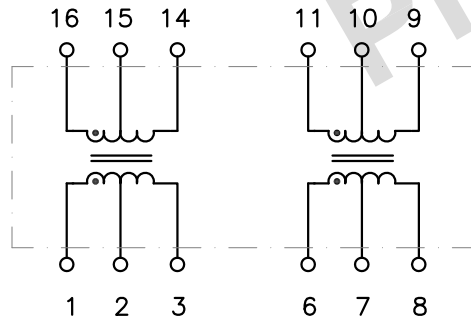
Cw/w                                9pF max

LL P1-3,P6-8                    0.3µH max

ISOLATION                        2000Vrms



DIMENSIONS: Inch [mm]  
 TOLERANCES: ±0.005 INCH IF NOT SPECIFIED



**HALO/PBL**

CALIFORNIA, USA  
 KOWLOON, HONG KONG  
 SINGAPORE

TITLE	16PIN ISOLATION MODULE		SIGNATURES	DATE	REV.	DESC.	DATE
FOR	10BASE-T		DRAWN	LI ZHI ZHONG	2/29/12	A	FIRST ISSUE
PART NO.	TD04-1006QRL		CHECKED	LEI KEONG	2/29/12		
SCALE	NONE	PAGE	1 OF 1	APPROVED	PETER LU	2/29/12	
				FILE	TD04QRL.DWG		



## X-ON Electronics

Largest Supplier of Electrical and Electronic Components

*Click to view similar products for [Audio Transformers](#) / [Signal Transformers](#) category:*

*Click to view products by [Hakko](#) manufacturer:*

Other Similar products are found below :

[CX2041NLT](#) [MGPWT-00449-P](#) [PE-64961](#) [H1302FNLT](#) [H5008FNL](#) [H5012FNL](#) [H5020FNLT](#) [H5077NLT](#) [H5079NLT](#) [H5084FNLT](#)  
[B78476A9558A003](#) [1812WBT2-4](#) [1879479-1](#) [HX2260FNL](#) [HX5014FNL](#) [EX2024FNL](#) [FL1066](#) [T1137NLT](#) [T3012NL](#) [PE-65812FNL](#) [PE-65848FNLT](#) [H1174FNL](#) [H1302FNL](#) [H5015FNL](#) [H5019EFNL](#) [H5062FNLT](#) [CX2047LNL](#) [MGPWT-00059-P](#) [MGPWT-00266-P](#) [MGPWT-00278-P](#) [MGPWT-00431-P](#) [TTC-100](#) [TTC-143-H](#) [TTC-5032-1](#) [BX1194WNLT](#) [HX1234NLT](#) [HX5008FNLT](#) [HX5019FNL](#) [HX5084NL](#) [3-1879385-5](#) [TX1263NLT](#) [4-1879391-0](#) [T1142NL](#) [HX6101FNL](#) [HX5084FNL](#) [HX1148NL](#) [HX5020FNLT](#) [HX5014FNLT](#) [T1124NL](#)  
[1879732-1](#)