



PART NO. : TG10-DA1NSLF

6PIN SMT ISOLATION MODULE
 DESIGNED FOR CIRRUS LOGIC DIGITAL AUDIO
 INTERFACE APPLICATIONS

LEAD-FREE/RoHS COMPLIANT

COMPATIBLE TO LEAD-FREE SOLDERING PROCESS
 CONDITION PER IPC/JEDEC J-STD-020C

UL/EN60950 AND DEMKO RECOGNIZED

EXTENDED OPERATING TEMPERATURE -40/+85°C

ELECTRICAL SPECIFICATIONS @25°C

TURNS RATIO

P1-2:P6-5 1:1 ±2%

OCL (100kHz,0.1V)

P1-2 750µH nom

DCR P1-2

0.5Ω max

LL P1-2

1.0µH max

Cw/w P1-6

18pF max

(Ground P3)

9pF max

BANDWIDTH (Nominal)

10kHz-200MHz

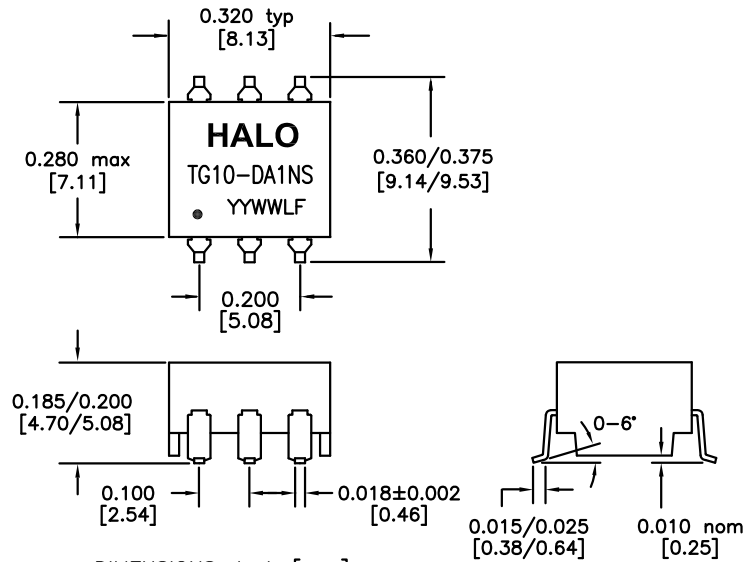
ISOLATION

PRI - SEC

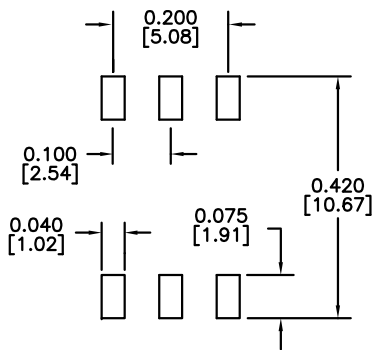
1500Vrms

PRI,SEC - SHIELD

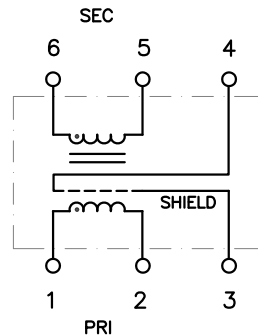
1500Vrms



DIMENSIONS: Inch [mm]
 CO-PLANARITY: 0.004 [0.10]
 TOLERANCES: ±0.005 INCH IF NOT SPECIFIED



RECOMMENDED SOLDER PAD DIMENSIONS



ONLY ONE END OF THE SHIELD CAN BE GROUNDED

HALO/PBL

CALIFORNIA, USA
 KOWLOON, HONG KONG
 SINGAPORE

TITLE	ISOLATION MODULE		SIGNATURES	DATE	REV.	DESC.	DATE
FOR	CIRRUS LOGIC DIGITAL AUDIO		DRAWN	LI ZHI ZHONG	5/4/16	A	PROD. RELEASE
PART NO.	TG10-DA1NSLF		CHECKED	LEI KEONG	8/8/16	B	ADD BW SPEC.
SCALE	NONE	PAGE	APPROVED	PETER LU	8/8/16	C	UPDATE
		1 OF 1	FILE	DA1NSLF.DWG		D	UPDATE DESC.



X-ON Electronics

Largest Supplier of Electrical and Electronic Components

Click to view similar products for [Audio Transformers](#) / [Signal Transformers](#) category:

Click to view products by [Hakko](#) manufacturer:

Other Similar products are found below :

[CX2041NLT](#) [MGPWT-00449-P](#) [PE-64961](#) [H1302FNLT](#) [H5008FNL](#) [H5012FNL](#) [H5020FNLT](#) [H5077NLT](#) [H5079NLT](#) [H5084FNLT](#)
[B78476A9558A003](#) [1812WBT2-4](#) [1879479-1](#) [HX2260FNL](#) [HX5014FNL](#) [EX2024FNL](#) [FL1066](#) [T1137NLT](#) [T3012NL](#) [PE-65812FNL](#) [PE-](#)
[65848FNLT](#) [H1174FNL](#) [H1302FNL](#) [H5015FNL](#) [H5019EFNL](#) [H5062FNLT](#) [CX2047LNL](#) [MGPWT-00059-P](#) [MGPWT-00266-P](#) [MGPWT-](#)
[00278-P](#) [MGPWT-00431-P](#) [TTC-100](#) [TTC-143-H](#) [TTC-5032-1](#) [BX1194WNLT](#) [HX1234NLT](#) [HX5008FNLT](#) [HX5019FNL](#) [HX5084NL](#) [3-](#)
[1879385-5](#) [TX1263NLT](#) [4-1879391-0](#) [T1142NL](#) [HX6101FNL](#) [HX5084FNL](#) [HX1148NL](#) [HX5020FNLT](#) [HX5014FNLT](#) [T1124NL](#)
[1879732-1](#)