

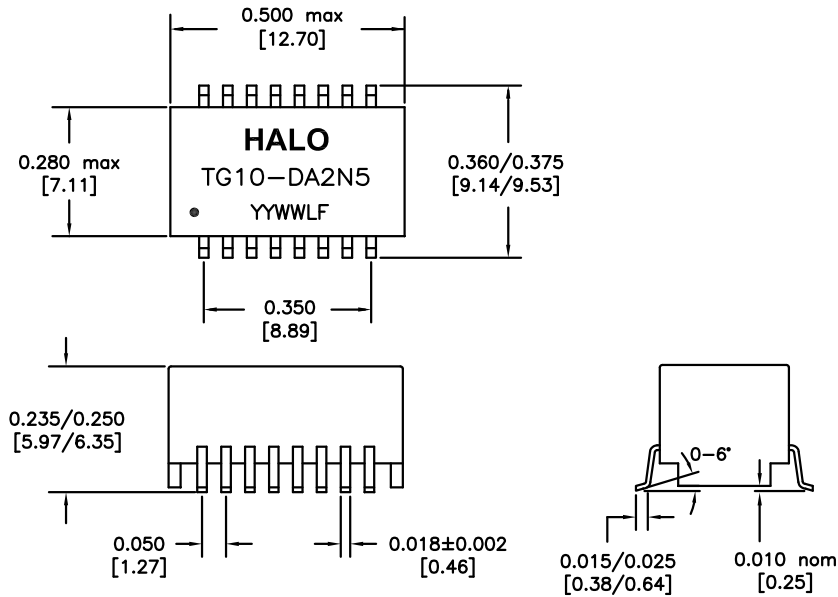


**PART NO. : TG10-DA2N5LF**

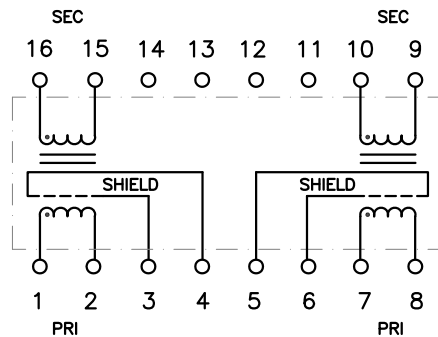
16PIN SMT ISOLATION MODULE  
 DESIGNED FOR CIRRUS LOGIC DIGITAL AUDIO  
 INTERFACE APPLICATIONS  
 LEAD-FREE/RoHS COMPLIANT  
 COMPATIBLE TO LEAD-FREE SOLDERING PROCESS  
 CONDITION PER IPC/JEDEC J-STD-020C  
 UL/EN60950 AND DEMKO RECOGNIZED  
 EXTENDED OPERATING TEMPERATURE -40/+85°C

**ELECTRICAL SPECIFICATIONS @25°C**

TURNS RATIO P1-2:P16-15 P7-8:P10-9	1:1 ±2% 1:1 ±2%
OCL (100KHz,0.1V) P1-2,P7-8	750µH nom
DCR P1-2,P7-8	0.5Ω max
LL P1-2,P7-8	1.0µH max
Cw/w P1-16,P7-10 (GND P3&P6)	18pF max 9pF max
BANDWIDTH (Nominal)	10kHz-200MHz
ISOLATION PRI,SHIELD - SEC PRI - SHIELD	1,500Vrms 500Vrms



DIMENSIONS: Inch [mm]  
 CO-PLANARITY: 0.004 [0.10]  
 TOLERANCES: ±0.005 INCH IF NOT SPECIFIED



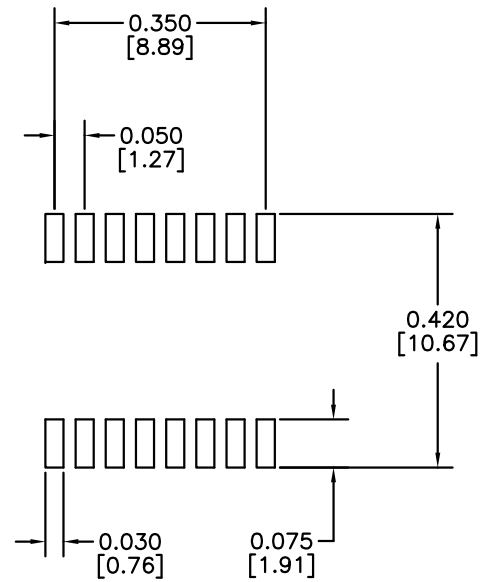
ONLY ONE END OF THE SHILED CAN BE GROUNDED



**HALO/PBL**

CALIFORNIA, USA  
 KOWLOON, HONG KONG  
 SINGAPORE

TITLE	ISOLATION MODULE	SIGNATURES	DATE	REV.	DESC.	DATE
FOR	CIRRUS LOGIC DIGITAL AUDIO	DRAWN	LI ZHI ZHONG	4/27/16	A	PROD. RELEASE
PART NO.	TG10-DA2N5LF	CHECKED	LEI KEONG	8/8/16	B	ADD BW SPEC.
SCALE	NONE	APPROVED	PETER LU	8/8/16	C	REVISE CKT
PAGE	1 OF 2	FILE	DA2N5LF.DWG	D	UPDATE DESC.	8/8/16



RECOMMENDED SOLDER PAD DIMENSIONS  
 DIMENSIONS: Inch [mm]

**HALO/PBL**

CALIFORNIA, USA  
 KOWLOON, HONG KONG  
 SINGAPORE

TITLE	ISOLATION MODULE		SIGNATURES	DATE	REV.	DESC.	DATE
FOR	CIRRUS LOGIC DIGITAL AUDIO		DRAWN LI ZHI ZHONG	4/27/16	A	PROD. RELEASE	4/27/16
PART NO.	TG10-DA2N5LF		CHECKED LEI KEONG	8/8/16	B	ADD BW SPEC.	5/13/16
SCALE	NONE	PAGE 2 OF 2	APPROVED PETER LU	8/8/16	C	REVISE CKT	5/17/16
			FILE DA2N5LF.DWG		D	UPDATE DESC.	8/8/16

## X-ON Electronics

Largest Supplier of Electrical and Electronic Components

*Click to view similar products for [Audio Transformers](#) / [Signal Transformers](#) category:*

*Click to view products by [Hakko](#) manufacturer:*

Other Similar products are found below :

[CX2041NLT](#) [MGPWT-00449-P](#) [PE-64961](#) [H1302FNLT](#) [H5008FNL](#) [H5012FNL](#) [H5020FNLT](#) [H5077NLT](#) [H5079NLT](#) [H5084FNLT](#)  
[B78476A9558A003](#) [1812WBT2-4](#) [1879479-1](#) [HX2260FNL](#) [HX5014FNL](#) [EX2024FNL](#) [FL1066](#) [T1137NLT](#) [T3012NL](#) [PE-65812FNL](#) [PE-](#)  
[65848FNLT](#) [H1174FNL](#) [H1302FNL](#) [H5015FNL](#) [H5019EFNL](#) [H5062FNLT](#) [CX2047LNL](#) [MGPWT-00059-P](#) [MGPWT-00266-P](#) [MGPWT-](#)  
[00278-P](#) [MGPWT-00431-P](#) [TTC-100](#) [TTC-143-H](#) [TTC-5032-1](#) [BX1194WNLT](#) [HX1234NLT](#) [HX5008FNLT](#) [HX5019FNL](#) [HX5084NL](#) [3-](#)  
[1879385-5](#) [TX1263NLT](#) [4-1879391-0](#) [T1142NL](#) [HX6101FNL](#) [HX5084FNL](#) [HX1148NL](#) [HX5020FNLT](#) [HX5014FNLT](#) [T1124NL](#)  
[1879732-1](#)