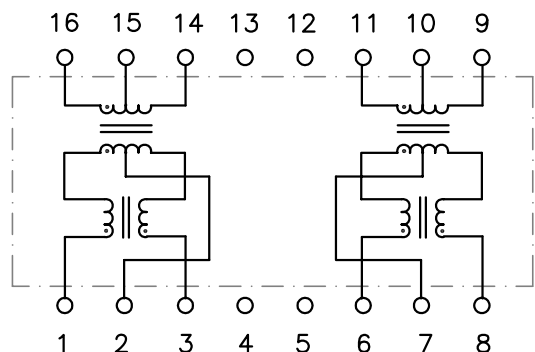


PART NO. : TG110-ESV01N6RL



16PIN FAST ETHERNET ISOLATION MODULE
 RoHS COMPLIANT
 COMPATIBLE TO LEAD-FREE SOLDERING PROCESS
 CONDITION PER IPC/JEDEC J-STD-020C
 UL/EU60950 AND DEMKO RECOGNIZED
 ENHANCED SHOCK/VIBRATION PERFORMANCE
 EXTENDED OPERATING TEMPERATURE -40/+85°C
 STORAGE TEMPERATURE -57/+125°C



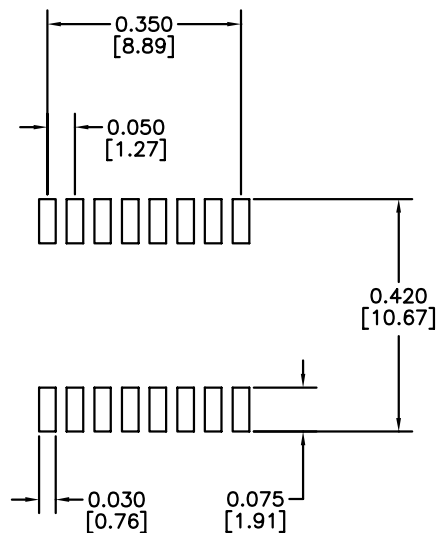
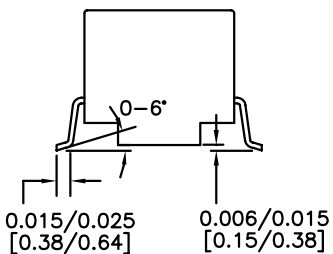
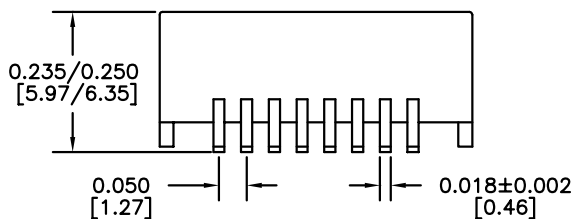
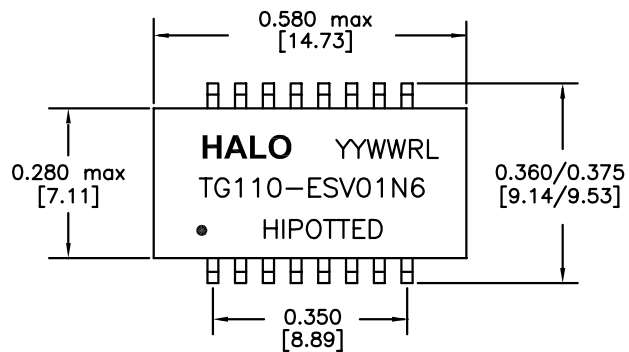
ELECTRICAL SPECIFICATIONS @25° C

TURNS RATIO P1-3:P16-14 P6-8:P11-9 OCL (100KHz,0.1Vrms,8mA) P16-14,P11-9 DCR P16-14,P11-9 LL P16-14,P11-9 Cw/w INSERTION LOSS 0.1-100MHz RETURN LOSS 0.5-30MHz 40MHz 50MHz 60-80MHz TYPICAL CROSSTALK 0.1-100MHz TYPICAL CMR 0.1-30MHz 40-100MHz ISOLATION	1CT:1CT ±3% 1CT:1CT ±3% 350µH min* 1.0Ω max 0.4µH max 40pF max -1.1dB max -18dB min -15.5dB min -13.6dB min -12dB min -40dB min -60dB min -50dB min 1,500Vrms
--	---

* MINIMUM OCL OVER OPERATING TEMPERATURE



HALO/PBL	TITLE ISOLATION MODULE		SIGNATURES		DATE	REV.	DESC.	DATE
	FOR FAST ETHERNET		DRAWN	PETER LU	11/5/04	A	FIRST ISSUE	11/5/04
CALIFORNIA, USA KOWLOON, HONG KONG SINGAPORE	PART NO. TG110-ESV01N6RL		CHECKED	LEI KEONG	1/31/08	B	PROD. RELEASE	1/31/08
	SCALE NONE	PAGE 1 OF 2	APPROVED	PETER LU	1/31/08			
			FILE	ESV01N6RL.DWG				



CO-PLANARITY: 0.004 [0.10]
 DIMENSIONS: Inch [mm]
 TOLERANCES: ±0.005 INCH IF NOT SPECIFIED

RECOMMENDED SOLDER PAD DIMENSIONS

HALO/PBL

CALIFORNIA, USA
 KOWLOON, HONG KONG
 SINGAPORE

TITLE	ISOLATION MODULE		SIGNATURES	DATE	REV.	DESC.	DATE
FOR	FAST ETHERNET		DRAWN	PETER LU	11/5/04	A	FIRST ISSUE
PART NO.	TG110-ESV01N6RL		CHECKED	LEI KEONG	1/31/08	B	PROD. RELEASE
SCALE	NONE	PAGE	2 OF 2	APPROVED	PETER LU	1/31/08	
				FILE	ESV01N6RL.DWG		

X-ON Electronics

Largest Supplier of Electrical and Electronic Components

Click to view similar products for [Audio Transformers](#) / [Signal Transformers](#) category:

Click to view products by [Hakko](#) manufacturer:

Other Similar products are found below :

[CX2041NLT](#) [MGPWT-00449-P](#) [PE-64961](#) [H1302FNLT](#) [H5008FNL](#) [H5012FNL](#) [H5020FNLT](#) [H5077NLT](#) [H5079NLT](#) [H5084FNLT](#)
[B78476A9558A003](#) [1812WBT2-4](#) [1879479-1](#) [HX2260FNL](#) [HX5014FNL](#) [EX2024FNL](#) [FL1066](#) [T1137NLT](#) [T3012NL](#) [PE-65812FNL](#) [PE-65848FNLT](#) [H1174FNL](#) [H1302FNL](#) [H5015FNL](#) [H5019EFNL](#) [H5062FNLT](#) [CX2047LNL](#) [MGPWT-00059-P](#) [MGPWT-00266-P](#) [MGPWT-00278-P](#) [MGPWT-00431-P](#) [TTC-100](#) [TTC-143-H](#) [TTC-5032-1](#) [BX1194WNLT](#) [HX1234NLT](#) [HX5008FNLT](#) [HX5019FNL](#) [HX5084NL](#) [3-1879385-5](#) [TX1263NLT](#) [4-1879391-0](#) [T1142NL](#) [HX6101FNL](#) [HX5084FNL](#) [HX1148NL](#) [HX5020FNLT](#) [HX5014FNLT](#) [T1124NL](#)
[1879732-1](#)