



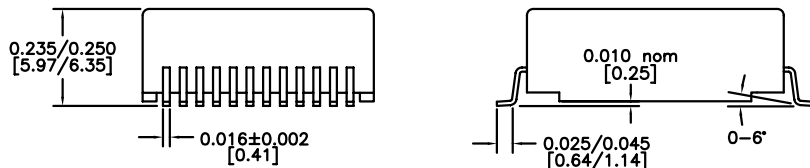
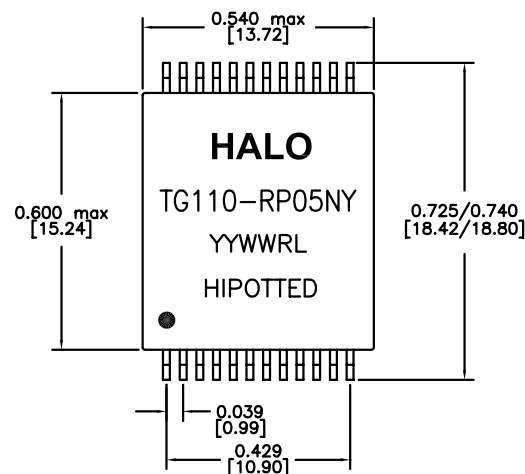
## PART NO. : TG110-RP05NYRL

24PIN 0.039" LEAD PITCH SMT PACKAGE  
FAST ETHERNET 10/100BASE-TX MAGNETICS  
COMPLIANT WITH IEEE802.3af STANDARD  
350mA CURRENT CARRYING CAPACITY  
ON LINE SIDE FOR PoE APPLICATIONS

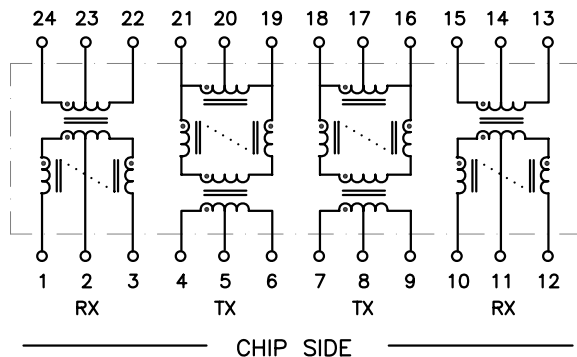
RoHS COMPLIANT

COMPATIBLE TO LEAD-FREE SOLDERING PROCESS  
CONDITION PER IPC/JEDEC J-STD-020C

OPERATING TEMPERATURE 0/+70°C



DIMENSIONS: Inch [mm]  
CO-PLANARITY: 0.004 [0.10]  
TOLERANCES: ±0.005 INCH IF NOT SPECIFIED



## ELECTRICAL SPECIFICATIONS @25° C

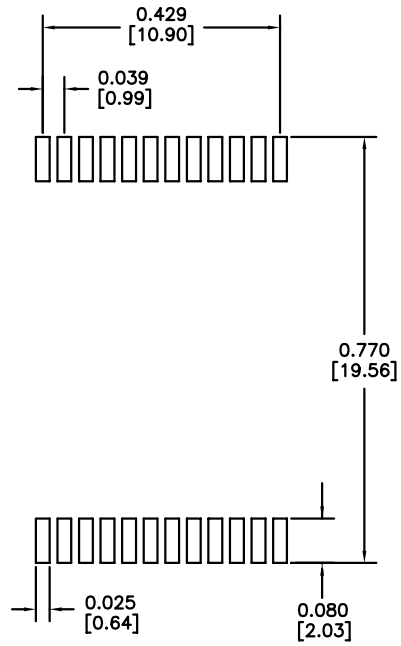
URNS RATIO	1CT:1CT±2%
OCL (100KHz,0.1Vrms,8mA) P4-6,P7-9,P15-13,P24-22	350µH min
DCR P4-6,P7-9,P15-13,P24-22	1.0Ω max
INSERTION LOSS 0.1-100MHz	-1.1dB max
RETURN LOSS 0.5-30MHz 40MHz 50MHz 60-80MHz	-18dB min -16dB min -13dB min -12dB min
CMR 0.1-100MHz	-40dB typ
CROSSTALK 0.1-100MHz	-40dB typ
ISOLATION	1,500Vrms



# HALO/PBL

CALIFORNIA, USA  
KOWLOON, HONG KONG  
SINGAPORE

TITLE	ISOLATION MODULE	SIGNATURES	DATE	REV.	DESC.	DATE
FOR	FAST ETHERNET, PoE	DRAWN	PETER LU	4/27/05	A	FIRST ISSUE
PART NO.	TG110-RP05NYRL	CHECKED	LEI KEONG	5/6/06	B	PROD. RELEASE
SCALE	NONE	APPROVED	PETER LU	5/6/06		
PAGE	1 OF 2	FILE	RP05NYRL.DWG			



RECOMMENDED SOLDER PAD DIMENSIONS  
 DIMENSIONS: Inch [mm]

<b>HALO/PBL</b>	TITLE ISOLATION MODULE		SIGNATURES		DATE	REV.	DESC.	DATE
	FOR FAST ETHERNET, PoE		DRAWN PETER LU		4/27/05	A	FIRST ISSUE	4/27/05
CALIFORNIA, USA KOWLOON, HONG KONG SINGAPORE	PART NO. TG110-RP05NYRL		CHECKED LEI KEONG		5/6/06	B	PROD. RELEASE	5/6/06
	SCALE NONE	PAGE 2 OF 2	APPROVED PETER LU		5/6/06			
			FILE RP05NYRL.DWG					

## X-ON Electronics

Largest Supplier of Electrical and Electronic Components

*Click to view similar products for [Audio Transformers](#) / [Signal Transformers](#) category:*

*Click to view products by [Hakko](#) manufacturer:*

Other Similar products are found below :

[CX2041NLT](#) [MGPWT-00449-P](#) [PE-64961](#) [H1302FNLT](#) [H5008FNL](#) [H5012FNL](#) [H5020FNLT](#) [H5077NLT](#) [H5079NLT](#) [H5084FNLT](#)  
[B78476A9558A003](#) [1812WBT2-4](#) [1879479-1](#) [HX2260FNL](#) [HX5014FNL](#) [EX2024FNL](#) [FL1066](#) [T1137NLT](#) [T3012NL](#) [PE-65812FNL](#) [PE-65848FNLT](#) [H1174FNL](#) [H1302FNL](#) [H5015FNL](#) [H5019EFNL](#) [H5062FNLT](#) [CX2047LNL](#) [MGPWT-00059-P](#) [MGPWT-00266-P](#) [MGPWT-00278-P](#) [MGPWT-00431-P](#) [TTC-100](#) [TTC-143-H](#) [TTC-5032-1](#) [BX1194WNLT](#) [HX1234NLT](#) [HX5008FNLT](#) [HX5019FNL](#) [HX5084NL](#) [3-1879385-5](#) [TX1263NLT](#) [4-1879391-0](#) [T1142NL](#) [HX6101FNL](#) [HX5084FNL](#) [HX1148NL](#) [HX5020FNLT](#) [HX5014FNLT](#) [T1124NL](#)  
[1879732-1](#)