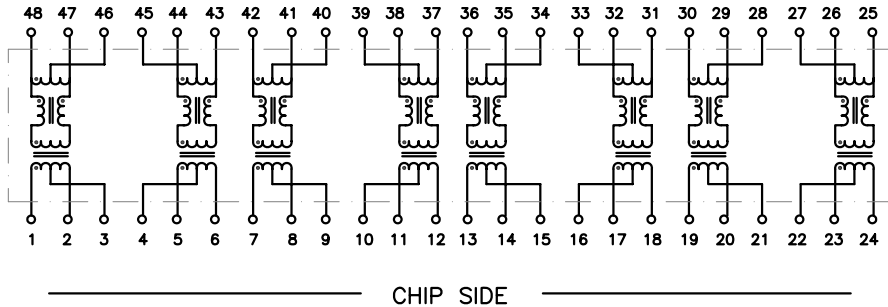


DIMENSIONS: Inch [mm]
CO-PLANARITY: 0.004 [0.10]
TOLERANCES: ±0.005 INCH IF NOT SPECIFIED



PART NO. : TG110-RP16NV6RL

FOUR PORT FAST ETHERNET ISOLATION MODULE
COMPLIANT WITH IEEE802.3af REQUIREMENTS
350mA CURRENT CARRYING CAPACITY ON LINE-SIDE FOR PoE APPLICATIONS
RoHS COMPLIANT
COMPATIBLE TO LEAD-FREE SOLDERING PROCESS
CONDITION PER IPC/JEDEC J-STD-020C
OPERATING TEMPERATURE 0/+70°C

ELECTRICAL SPECIFICATIONS @ 25° C

URNS RATIO	1CT:1CT ±2%
OCL (100KHz,0.1Vrms,8mA)	350µH min
DCR (CHIP SIDE)	0.9Ω max
INSERTION LOSS	
0.1-100MHz	-1.1dB max
RETURN LOSS	
0.5-30MHz	-18dB min
40MHz	-16dB min
50MHz	-13dB min
60-80MHz	-12dB min
CMR 0.1-100MHz	-40dB typ
CROSSTALK 0.1-100MHz	-40dB typ
ISOLATION	1,500Vrms



HALO/PBL

CALIFORNIA, USA
KOWLOON, HONG KONG
SINGAPORE

TITLE	ISOLATION MODULE		SIGNATURES		DATE	REV.	DESC.	DATE
	FOR	FAST ETHERNET, PoE	DRAWN	PETER LU	12/16/05	A	FIRST ISSUE	12/16/05
	PART NO.	TG110-RP16NV6RL	CHECKED	LEI KEONG	2/8/06	B	PROD. RELEASE	2/8/06
	SCALE	NONE	APPROVED	PETER LU	2/8/06			
	PAGE	1 OF 1		FILE	RP16NV6RL.DWG			

X-ON Electronics

Largest Supplier of Electrical and Electronic Components

Click to view similar products for [Audio Transformers](#) / [Signal Transformers](#) category:

Click to view products by [Hakko](#) manufacturer:

Other Similar products are found below :

[CX2041NLT](#) [MGPWT-00449-P](#) [PE-64961](#) [H1302FNLT](#) [H5008FNL](#) [H5012FNL](#) [H5020FNLT](#) [H5077NLT](#) [H5079NLT](#) [H5084FNLT](#)
[B78476A9558A003](#) [1812WBT2-4](#) [1879479-1](#) [HX2260FNL](#) [HX5014FNL](#) [EX2024FNL](#) [FL1066](#) [T1137NLT](#) [T3012NL](#) [PE-65812FNL](#) [PE-65848FNLT](#) [H1174FNL](#) [H1302FNL](#) [H5015FNL](#) [H5019EFNL](#) [H5062FNLT](#) [CX2047LNL](#) [MGPWT-00059-P](#) [MGPWT-00266-P](#) [MGPWT-00278-P](#) [MGPWT-00431-P](#) [TTC-100](#) [TTC-143-H](#) [TTC-5032-1](#) [BX1194WNLT](#) [HX1234NLT](#) [HX5008FNLT](#) [HX5019FNL](#) [HX5084NL](#) [3-1879385-5](#) [TX1263NLT](#) [4-1879391-0](#) [T1142NL](#) [HX6101FNL](#) [HX5084FNL](#) [HX1148NL](#) [HX5020FNLT](#) [HX5014FNLT](#) [T1124NL](#)
[1879732-1](#)