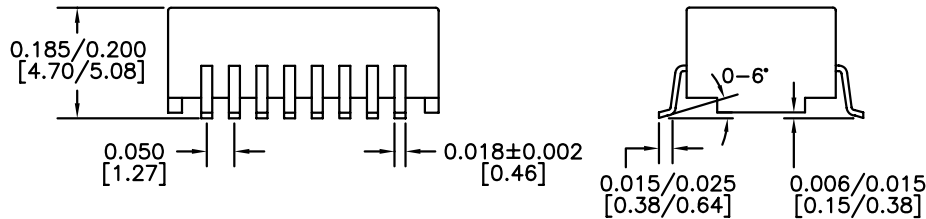
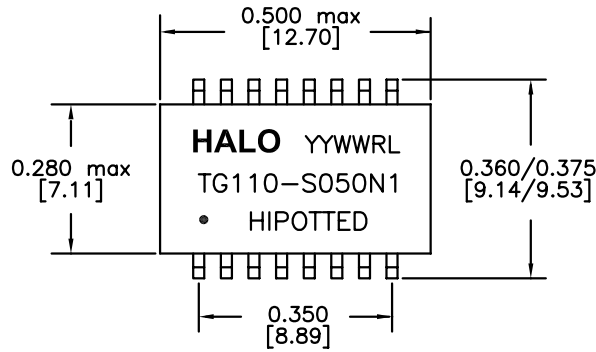


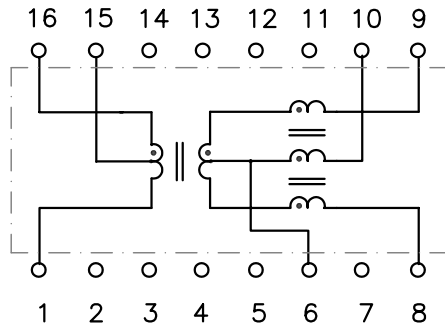


PART NO. : TG110-S050N1RL

16PIN SMT ISOLATION MODULE FOR 10/100BASE-TX
IEEE802.3u APPLICATIONS
LEAD-FREE/RoHS COMPLIANT
COMPATIBLE TO LEAD-FREE SOLDERING PROCESS
CONDITION PER IPC/JEDEC J-STD-020C
OPERATING TEMPERATURE 0/+70°C



DIMENSIONS: Inch [mm]
CO-PLANARITY: 0.004 [0.10]
TOLERANCES: ±0.005 INCH IF NOT SPECIFIED



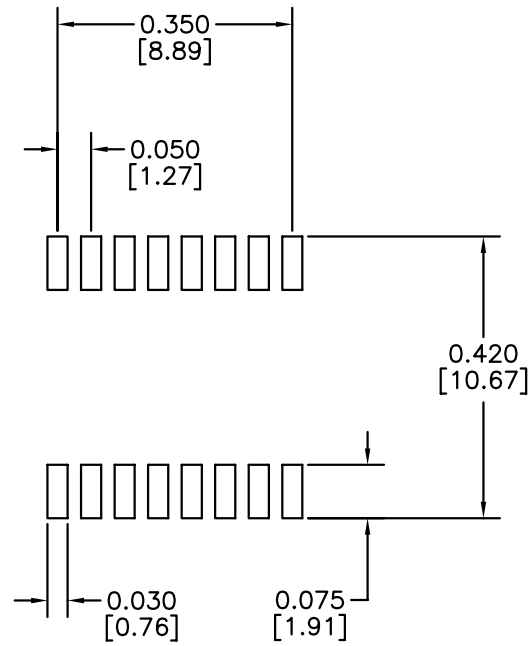
ELECTRICAL SPECIFICATIONS @25° C

| | |
|-----------------------------------|-------------|
| TURNS RATIO P1-16:P8-9 | 1CT:1CT ±3% |
| OCL (100KHz,0.1Vrms,8mA) P1-16 | 350µH min |
| DCR P1-16 | 0.9Ω max |
| LL P1-16 | 0.4µH max |
| Cw/w | 35pF max |
| INSERTION LOSS 0.1-100MHz | -1.1dB max |
| RETURN LOSS 0.5-30MHz | -18dB min |
| 40MHz | -15.5dB min |
| 50MHz | -13.6dB min |
| 60-80MHz | -12dB min |
| CMR 0.1-100MHz | -35dB typ |
| ISOLATION | 1,500Vrms |

HALO/PBL

CALIFORNIA, USA
KOWLOON, HONG KONG
SINGAPORE

| | | | | | |
|----------|-----------------------|------------|--------------|---------|---|
| TITLE | ISOLATION TRANSFORMER | SIGNATURES | DATE | REV. | |
| FOR | FAST ETHERNET | DRAWN | PETER LU | 2/16/06 | A |
| PART NO. | TG110-S050N1RL | CHECKED | | | |
| SCALE | NONE | APPROVED | | | |
| PAGE | 1 OF 2 | FILE | S050N1RL.DWG | | |



RECOMMENDED SOLDER PAD DIMENSIONS
 DIMENSIONS: Inch [mm]

| | | | | | | | |
|--|-----------------------------|-------------|-------------------|--|---------|------|--|
| HALO/PBL | TITLE ISOLATION TRANSFORMER | | SIGNATURES | | DATE | REV. | |
| | FOR FAST ETHERNET | | DRAWN PETER LU | | 2/16/06 | A | |
| CALIFORNIA, USA KOWLOON, HONG KONG SINGAPORE | PART NO. TG110-S050N1RL | | CHECKED | | | | |
| | SCALE NONE | PAGE 2 OF 2 | APPROVED | | | | |
| | | | FILE S050N1RL.DWG | | | | |

X-ON Electronics

Largest Supplier of Electrical and Electronic Components

Click to view similar products for [Audio Transformers](#) / [Signal Transformers](#) category:

Click to view products by [Hakko](#) manufacturer:

Other Similar products are found below :

[CX2041NLT](#) [MGPWT-00449-P](#) [PE-64961](#) [H1302FNLT](#) [H5008FNL](#) [H5012FNL](#) [H5020FNLT](#) [H5077NLT](#) [H5079NLT](#) [H5084FNLT](#)
[B78476A9558A003](#) [1812WBT2-4](#) [1879479-1](#) [HX2260FNL](#) [HX5014FNL](#) [EX2024FNL](#) [FL1066](#) [T1137NLT](#) [T3012NL](#) [PE-65812FNL](#) [PE-](#)
[65848FNLT](#) [H1174FNL](#) [H1302FNL](#) [H5015FNL](#) [H5019EFNL](#) [H5062FNLT](#) [CX2047LNL](#) [MGPWT-00059-P](#) [MGPWT-00266-P](#) [MGPWT-](#)
[00278-P](#) [MGPWT-00431-P](#) [TTC-100](#) [TTC-143-H](#) [TTC-5032-1](#) [BX1194WNLT](#) [HX1234NLT](#) [HX5008FNLT](#) [HX5019FNL](#) [HX5084NL](#) [3-](#)
[1879385-5](#) [TX1263NLT](#) [4-1879391-0](#) [T1142NL](#) [HX6101FNL](#) [HX5084FNL](#) [HX1148NL](#) [HX5020FNLT](#) [HX5014FNLT](#) [T1124NL](#)
[1879732-1](#)