



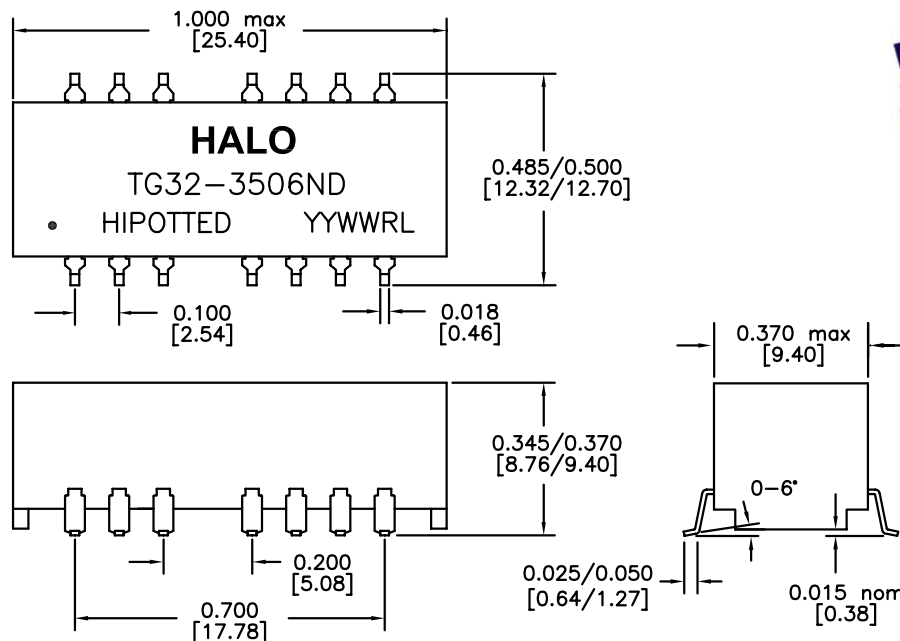
PART NO. : TG32-3506NDRL

16PIN SMT ISOLATION MODULE FOR 10/100BASE-TX IEEE802.3u APPLICATIONS

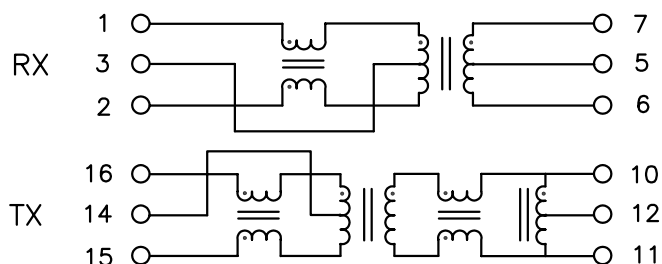
LEAD-FREE/RoHS COMPLIANT

COMPATIBLE TO LEAD-FREE SOLDERING PROCESS
CONDITION PER IPC/JEDEC J-STD-020C

OPERATING TEMPERATURE 0/+70°C



DIMENSIONS: Inch[mm]
CO-PLANARITY: 0.004[0.10]
TOLERANCES: ±0.005 INCH IF NOT SPECIFIED



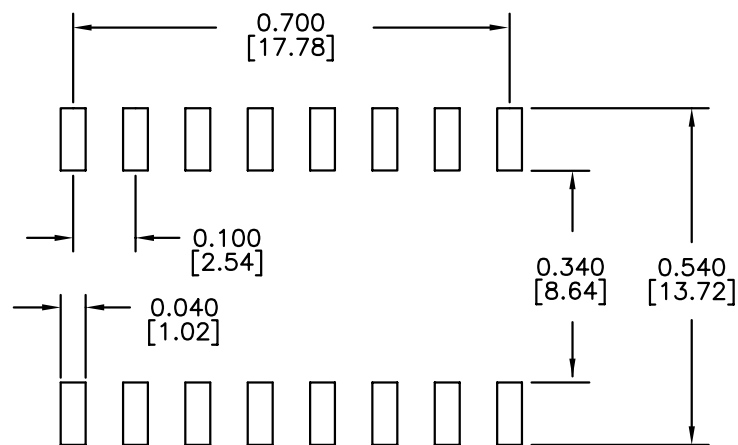
ELECTRICAL SPECIFICATIONS @25° C

OCL (100KHz,0.1Vrms,8mA)	350µH min
TURN RATIO	
TX P16-15:P10-11	1CT:1CT ±3%
RX P1-2:P7-6	1CT:1CT ±3%
DCR P16-15,P7-6	1.0Ω max
LL (1MHz)	0.4µH max
Cw/w	15pF typ
INSERTION LOSS	
0.1-100MHz	-1.1dB max
RETURN LOSS	
0.5-30MHz	-18dB min
40MHz	-15.5dB min
50MHz	-13.6dB min
60-80MHz	-12dB min
CROSSTALK 0.1-100MHz	-38dB typ
TX CMR 0.1-100MHz	-45dB typ
ISOLATION	1,500Vrms

HALO/PBL

CALIFORNIA, USA
KOWLOON, HONG KONG
SINGAPORE

TITLE	TRANSFORMER MODULE	SIGNATURES	DATE	REV.	DESC.	DATE
FOR	10/100BASE-TX	DRAWN	PETER LU	10/26/05	A	
PART NO.	TG32-3506NDRL	CHECKED				
SCALE	NONE	APPROVED				
PAGE	1 OF 2	FILE	TG32NDRL.DWG			



RECOMMENDED SOLDER PAD LAYOUT
 DIMENSIONS: INCH [mm]

HALO/PBL	TITLE TRANSFORMER MODULE		SIGNATURES		DATE	REV.	DESC.	DATE
	FOR 10/100BASE-TX		DRAWN PETER LU		10/25/05	A		
	PART NO. TG32-3506NDRL		CHECKED					
	SCALE NONE		PAGE 2 OF 2		APPROVED			
CALIFORNIA, USA KOWLOON, HONG KONG SINGAPORE		FILE TG32NDRL.DWG						

X-ON Electronics

Largest Supplier of Electrical and Electronic Components

Click to view similar products for [Audio Transformers](#) / [Signal Transformers](#) category:

Click to view products by [Hakko](#) manufacturer:

Other Similar products are found below :

[CX2041NLT](#) [MGPWT-00449-P](#) [PE-64961](#) [H1302FNLT](#) [H5008FNL](#) [H5012FNL](#) [H5020FNLT](#) [H5077NLT](#) [H5079NLT](#) [H5084FNLT](#)
[B78476A9558A003](#) [1812WBT2-4](#) [1879479-1](#) [HX2260FNL](#) [HX5014FNL](#) [EX2024FNL](#) [FL1066](#) [T1137NLT](#) [T3012NL](#) [PE-65812FNL](#) [PE-65848FNLT](#) [H1174FNL](#) [H1302FNL](#) [H5015FNL](#) [H5019EFNL](#) [H5062FNLT](#) [CX2047LNL](#) [MGPWT-00059-P](#) [MGPWT-00266-P](#) [MGPWT-00278-P](#) [MGPWT-00431-P](#) [TTC-100](#) [TTC-143-H](#) [TTC-5032-1](#) [BX1194WNLT](#) [HX1234NLT](#) [HX5008FNLT](#) [HX5019FNL](#) [HX5084NL](#) [3-1879385-5](#) [TX1263NLT](#) [4-1879391-0](#) [T1142NL](#) [HX6101FNL](#) [HX5084FNL](#) [HX1148NL](#) [HX5020FNLT](#) [HX5014FNLT](#) [T1124NL](#)
[1879732-1](#)