



PART NO. : TG37-1505NSRL

6PIN SMT T1/E1 ISOLATION TRANSFORMER

RoHS COMPLIANT

COMPATIBLE TO LEAD-FREE SOLDERING PROCESS
CONDITION PER IPC/JEDEC J-STD-020C

UL/EN60950 AND DEMKO RECOGNIZED

EXTENDED OPERATING TEMP. -40/+85°C

ELECTRICAL SPECIFICATIONS @25° C

URNS RATIO

P1-3:P6-4

1:1.14CT ±3%

OCL P1-3

1.5mH typ

DCR P1-3

0.8Ω max

LL P1-3

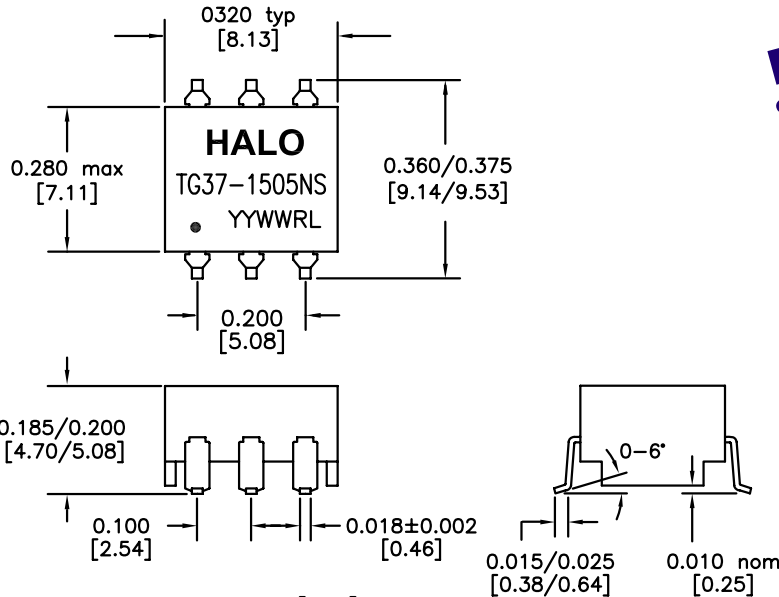
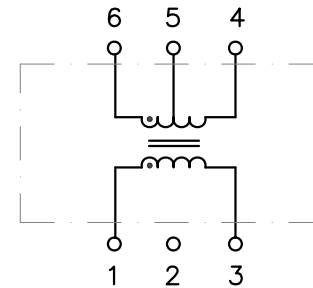
0.5μH max

Cw/w

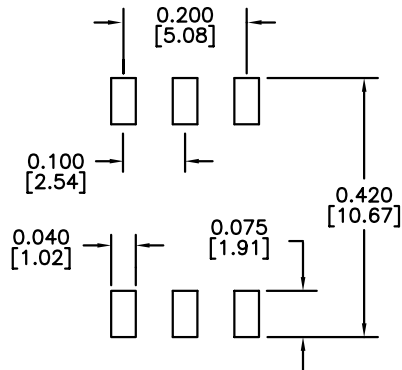
35pF max

ISOLATION

1,500Vrms



DIMENSIONS: Inch [mm]
CO-PLANARITY: 0.004 [0.10]
TOLERANCES: ±0.005 INCH IF NOT SPECIFIED



RECOMMENDED SOLDER PAD DIMENSIONS



HALO/PBL	TITLE ISOLATION TRANSFORMER		SIGNATURES		DATE	REV.	DESC.	DATE
	FOR T1/E1 (1:1.14CT)		DRAWN PETER LU		10/26/05	A	FIRST ISSUE	10/26/05
	PART NO. TG37-1505NSRL		CHECKED LEI KEONG		5/4/09	B	PROD. RELEASE	5/4/09
	SCALE NONE PAGE 1 OF 1		APPROVED PETER LU		5/4/09			
FILE 1505NSRL.DWG								

CALIFORNIA, USA
KOWLOON, HONG KONG
SINGAPORE

X-ON Electronics

Largest Supplier of Electrical and Electronic Components

Click to view similar products for [Audio Transformers](#) / [Signal Transformers](#) category:

Click to view products by [Hakko](#) manufacturer:

Other Similar products are found below :

[CX2041NLT](#) [MGPWT-00449-P](#) [PE-64961](#) [H1302FNLT](#) [H5008FNL](#) [H5012FNL](#) [H5020FNLT](#) [H5077NLT](#) [H5079NLT](#) [H5084FNLT](#)
[B78476A9558A003](#) [1812WBT2-4](#) [1879479-1](#) [HX2260FNL](#) [HX5014FNL](#) [EX2024FNL](#) [FL1066](#) [T1137NLT](#) [T3012NL](#) [PE-65812FNL](#) [PE-65848FNLT](#) [H1174FNL](#) [H1302FNL](#) [H5015FNL](#) [H5019EFNL](#) [H5062FNLT](#) [CX2047LNL](#) [MGPWT-00059-P](#) [MGPWT-00266-P](#) [MGPWT-00278-P](#) [MGPWT-00431-P](#) [TTC-100](#) [TTC-143-H](#) [TTC-5032-1](#) [BX1194WNLT](#) [HX1234NLT](#) [HX5008FNLT](#) [HX5019FNL](#) [HX5084NL](#) [3-1879385-5](#) [TX1263NLT](#) [4-1879391-0](#) [T1142NL](#) [HX6101FNL](#) [HX5084FNL](#) [HX1148NL](#) [HX5020FNLT](#) [HX5014FNLT](#) [T1124NL](#)
[1879732-1](#)