



**PART NO. : TG49-1505NXRL**

FOUR-PORT T1/E1 ISOLATION MODULE  
RoHS COMPLIANT

COMPATIBLE TO LEAD-FREE SOLDERING PROCESS  
CONDITION PER IPC/JEDEC J-STD-020C  
UL/EN60950 AND DEMKO RECOGNIZED  
EXTENDED OPERATING TEMPERATURE -40/+85°C

**ELECTRICAL SPECIFICATIONS @25° C**

URNS RATIO

P1-3:P40-39,P6-8:P35-34, 1CT:2 ±2%  
P11-13:P30-29,P16-18:P25-24  
P4-5:38-36,P9-10:P33-31, 1:2CT ±2%  
P14-15:P28-26,P19-20:P23-21

ACL

P1-3,P4-5,P6-8,P9-10, 1.5mH typ  
P11-13,P14-15,P16-18,P19-20

DCR

P1-3,P4-5,P6-8,P9-10, 0.8Ω max  
P11-13,P14-15,P16-18,P19-20

LL

P1-3,P4-5,P6-8,P9-10, 0.5μH max  
P11-13,P14-15,P16-18,P19-20

Cw/w

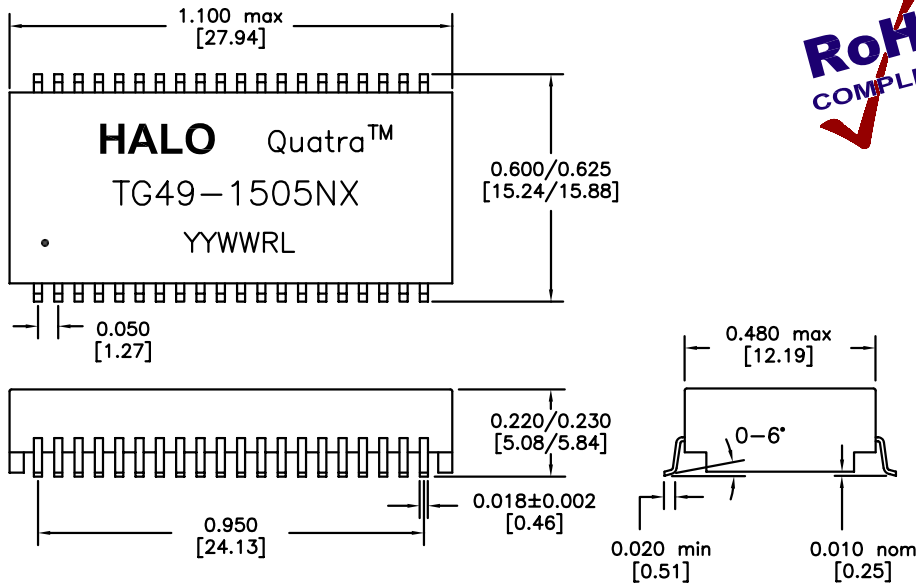
35pF max

CROSSTALK 0.5-5MHz

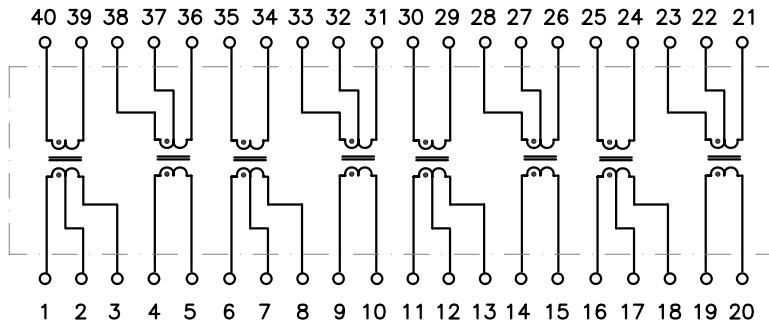
-60dB typ

ISOLATION

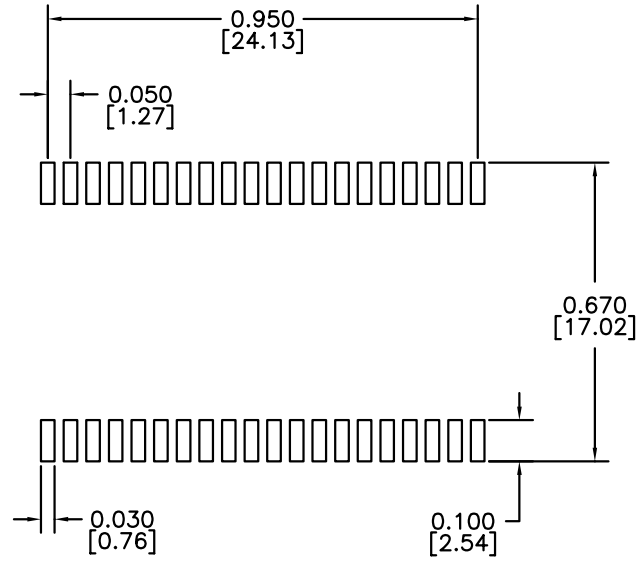
1,500Vrms



DIMENSIONS: Inch [mm]  
CO-PLANARITY: 0.004 [0.10]  
TOLERANCES: ±0.005 INCH IF NOT SPECIFIED



<b>HALO/PBL</b>	TITLE	ISOLATION MODULE		SIGNATURES	DATE	REV.	DESC.	DATE
	FOR	T1/E1		DRAWN	LI ZHI ZHONG	11/29/05	A	FIRST ISSUE
	PART NO.	TG49-1505NXRL		CHECKED	LEI KEONG	3/23/11	B	PROD. RELEASE
	SCALE	NONE	PAGE	1 OF 2	APPROVED	PETER LU	3/23/11	
CALIFORNIA, USA KOWLOON, HONG KONG SINGAPORE				FILE	TG49NXRL.DWG			



RECOMMENDED SOLDER PAD DIMENSIONS  
 DIMENSIONS: Inch [mm]

<b>HALO/PBL</b>	TITLE ISOLATION MODULE		SIGNATURES		DATE	REV.	DESC.	DATE
	FOR T1/E1		DRAWN LI ZHI ZHONG		11/29/05	A	FIRST ISSUE	11/29/05
	PART NO. TG49-1505NXRL		CHECKED LEI KEONG		3/23/11	B	PROD. RELEASE	3/23/11
	SCALE NONE		PAGE 2 OF 2		APPROVED PETER LU		3/23/11	
CALIFORNIA, USA KOWLOON, HONG KONG SINGAPORE		FILE TG49NXRL.DWG						

## X-ON Electronics

Largest Supplier of Electrical and Electronic Components

*Click to view similar products for [Audio Transformers](#) / [Signal Transformers](#) category:*

*Click to view products by [Hakko](#) manufacturer:*

Other Similar products are found below :

[CX2041NLT](#) [MGPWT-00449-P](#) [PE-64961](#) [H1302FNLT](#) [H5008FNL](#) [H5012FNL](#) [H5020FNLT](#) [H5077NLT](#) [H5079NLT](#) [H5084FNLT](#)  
[B78476A9558A003](#) [1812WBT2-4](#) [1879479-1](#) [HX2260FNL](#) [HX5014FNL](#) [EX2024FNL](#) [FL1066](#) [T1137NLT](#) [T3012NL](#) [PE-65812FNL](#) [PE-65848FNLT](#) [H1174FNL](#) [H1302FNL](#) [H5015FNL](#) [H5019EFNL](#) [H5062FNLT](#) [CX2047LNL](#) [MGPWT-00059-P](#) [MGPWT-00266-P](#) [MGPWT-00278-P](#) [MGPWT-00431-P](#) [TTC-100](#) [TTC-143-H](#) [TTC-5032-1](#) [BX1194WNLT](#) [HX1234NLT](#) [HX5008FNLT](#) [HX5019FNL](#) [HX5084NL](#) [3-1879385-5](#) [TX1263NLT](#) [4-1879391-0](#) [T1142NL](#) [HX6101FNL](#) [HX5084FNL](#) [HX1148NL](#) [HX5020FNLT](#) [HX5014FNLT](#) [T1124NL](#)  
[1879732-1](#)