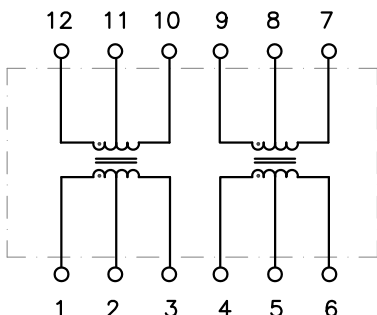


DIMENSIONS: Inch [mm]
CO-PLANARITY: 0.004 [0.10]
TOLERANCES: ±0.005 INCH IF NOT SPECIFIED



PART NO. : TGR110-Q350NCRL

12PIN SMT ISOLATION MODULE
DESIGNED FOR FAST ETHERNET APPLICATIONS
RoHS COMPLIANT

COMPATIBLE TO LEAD-FREE SOLDERING PROCESS
CONDITION PER IPC/JEDEC J-STD-020C

COMPLIANT TO UL60950 REINFORCED INSULATION
REQUIREMENTS FOR WORKING VOLTAGE UP TO 300V
DUAL-LAYER INSULATION FROM WINDINGS TO CORE
EXTENDED OPERATING TEMPERATURE -40/+85°C

ELECTRICAL SPECIFICATIONS @ 25°C

TURNS RATIO P1-3:P12-10 P4-6:P9-7	1CT:1CT ±3% 1CT:1CT ±3%
OCL (100KHz,0.1Vrms,8mA) P1-3,P4-6	350µH min
DCR P1-3,P4-6	0.9Ω max
LL P1-3,P4-6	0.8µH max
Cw/w	15pF max
CROSSTALK 1-100MHz	-40dB typ
ISOLATION	4,500Vrms/60 sec



HALO/PBL

CALIFORNIA, USA
KOWLOON, HONG KONG
SINGAPORE

TITLE	TRANSFORMER MODULE		SIGNATURES	DATE	REV.	DESC.	DATE
FOR	FAST ETHERNET		DRAWN	LI ZHI ZHONG	6/14/06	A	FIRST ISSUE
PART NO.	TGR110-Q350NCRL		CHECKED	LEI KEONG	12/15/11	B	REV. CROSSTALK
SCALE	NONE	PAGE	1 OF 1	APPROVED	PETER LU	12/15/11	C
				FILE	Q350NCRL.DWG	D	UPDATE OP. TEMP

X-ON Electronics

Largest Supplier of Electrical and Electronic Components

Click to view similar products for [Audio Transformers](#) / [Signal Transformers](#) category:

Click to view products by [Hakko](#) manufacturer:

Other Similar products are found below :

[CX2041NLT](#) [MGPWT-00449-P](#) [PE-64961](#) [H1302FNLT](#) [H5008FNL](#) [H5012FNL](#) [H5020FNLT](#) [H5077NLT](#) [H5079NLT](#) [H5084FNLT](#)
[B78476A9558A003](#) [1812WBT2-4](#) [1879479-1](#) [HX2260FNL](#) [HX5014FNL](#) [EX2024FNL](#) [FL1066](#) [T1137NLT](#) [T3012NL](#) [PE-65812FNL](#) [PE-65848FNLT](#) [H1174FNL](#) [H1302FNL](#) [H5015FNL](#) [H5019EFNL](#) [H5062FNLT](#) [CX2047LNL](#) [MGPWT-00059-P](#) [MGPWT-00266-P](#) [MGPWT-00278-P](#) [MGPWT-00431-P](#) [TTC-100](#) [TTC-143-H](#) [TTC-5032-1](#) [BX1194WNLT](#) [HX1234NLT](#) [HX5008FNLT](#) [HX5019FNL](#) [HX5084NL](#) [3-1879385-5](#) [TX1263NLT](#) [4-1879391-0](#) [T1142NL](#) [HX6101FNL](#) [HX5084FNL](#) [HX1148NL](#) [HX5020FNLT](#) [HX5014FNLT](#) [T1124NL](#)
[1879732-1](#)