

3.75kV Dual Line Interface Modules

12 Pin SMD Package

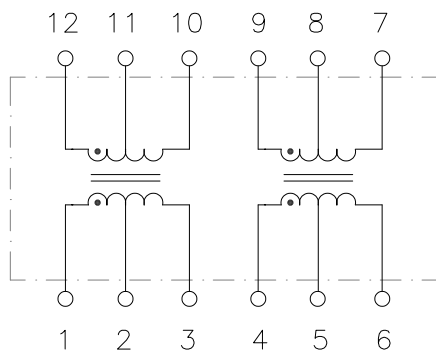


Product Features:

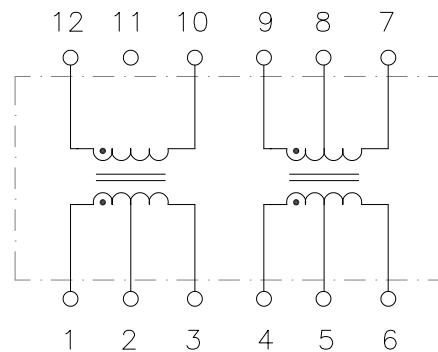
- Standard series of Reinforced Insulation, 3.75kV isolation voltage Line Interface Modules.
- This 12 pin SMD series provides the isolation and impedance match requirements for T1, E1, CEPT and PRI ISDN applications.
- Non-standard designs are also available.
- Temperature Range: -40 to +85°C
- Crosstalk (0.1 - 10MHz): -60dB Typ.

Part Number	Schematic	Turns Ratio PRI : SEC (±2%)	PRI OCL (mH Typ.)	PRI DCR (Ω Max.)	Cw/w (pF max.)	Primary Pins
TGR04-3755V12LF	A	1CT:1CT & 1CT:1CT	1.5	0.9	25	1-3 & 4-6
TGR23-3755V12LF	A	1CT:2.42CT & 1CT:2.42CT	1.5	0.9	25	1-3 & 4-6
TGR26-3755V12LF	A	1CT:2CT & 1CT:2CT	1.5	0.9	25	12-10 & 4-6
TGR27-3755V12LF	A	1CT:2CT & 1CT:1.36CT	1.5	0.9	25	12-10 & 4-6
TGR28-3755V12LF	A	1CT:1CT & 1CT : 1.36CT	1.5	0.9	25	12-10 & 4-6
TGR35-3755V12LF	A	1CT:1.15CT & 1CT:1CT	1.5	0.9	25	12-10 & 4-6
TGR38-3755V12LF	A	1CT:1.15CT & 1CT:1.15CT	1.5	0.9	25	1-3 & 4-6
TGR42-3755V12LF	A	1CT:1.41CT & 1CT:1.41CT	1.5	0.9	25	12-10 & 4-6
TGR63-3755V12LF	B	1:1.15CT & 1CT:2CT	1.5	0.9	25	12-10 & 4-6
TGR64-3755V12LF	A	1CT:1:1.26 & 1CT:2CT	1.5	0.9	25	12-10 & 4-6
TGR74-3755V12LF	A	1CT:1CT & 1CT : 2CT	1.5	0.9	25	12-10 & 4-6

Schematic A

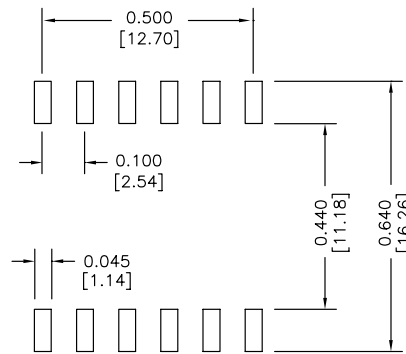
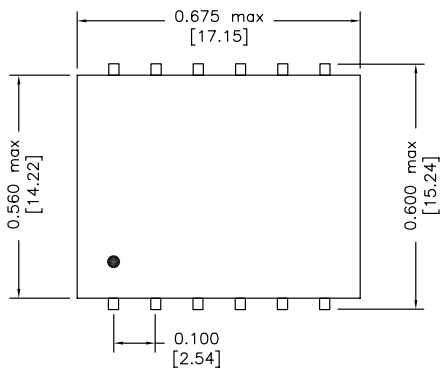


Schematic B

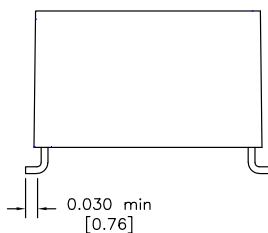
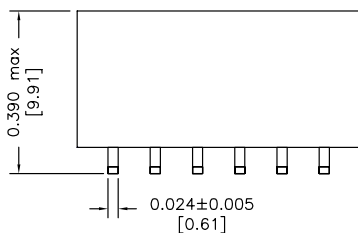


3.75kV SMD Dual Line Interface Modules

Package V12



Recommended Solder Pad Dimensions



Dimensions: inches [mm]
Co-Planarity: 0.004 [0.10]



2880 Lakeside Drive #116
Santa Clara, CA 95054
(650) 903-3800
www.haloelectronics.com

HALO® Electronics is a leading supplier of high quality communication magnetics including signal transformers, filters, CMR chokes, PoE power transformers, DC/DC converters, and integrated Ethernet connectors. HALO's leading edge technology solutions are manufactured in ISO9001 and ISO14001 factories offering high quality products at a competitive price.

X-ON Electronics

Largest Supplier of Electrical and Electronic Components

Click to view similar products for [Audio Transformers](#) / [Signal Transformers](#) category:

Click to view products by [Hakko](#) manufacturer:

Other Similar products are found below :

[CX2041NLT](#) [MGPWT-00449-P](#) [PE-64961](#) [H1302FNLT](#) [H5008FNL](#) [H5012FNL](#) [H5020FNLT](#) [H5077NLT](#) [H5079NLT](#) [H5084FNLT](#)
[B78476A9558A003](#) [1812WBT2-4](#) [1879479-1](#) [HX2260FNL](#) [HX5014FNL](#) [EX2024FNL](#) [FL1066](#) [T1137NLT](#) [T3012NL](#) [PE-65812FNL](#) [PE-65848FNLT](#) [H1174FNL](#) [H1302FNL](#) [H5015FNL](#) [H5019EFNL](#) [H5062FNLT](#) [CX2047LNL](#) [MGPWT-00059-P](#) [MGPWT-00266-P](#) [MGPWT-00278-P](#) [MGPWT-00431-P](#) [TTC-100](#) [TTC-143-H](#) [TTC-5032-1](#) [BX1194WNLT](#) [HX1234NLT](#) [HX5008FNLT](#) [HX5019FNL](#) [HX5084NL](#) [3-1879385-5](#) [TX1263NLT](#) [4-1879391-0](#) [T1142NL](#) [HX6101FNL](#) [HX5084FNL](#) [HX1148NL](#) [HX5020FNLT](#) [HX5014FNLT](#) [T1124NL](#)
[1879732-1](#)