

Shielded Ganged 1x2 RJ45

8P/8C Shielded Dual Port Tab-Up RJ45 Ethernet Connectors



Product Features:

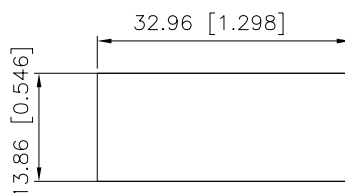
- Shielded RJ45 1x2 Connectors
- Minimum of 750 Mating Cycles
- Multiple Gold Contact Plating Options
- DWV - 1500VAC Contact to Shield
- Current Rating - 1.5A
- Voltage Rating - 125V
- UL94V-0 Flammability Rating

Part Number	Mechanical	Contact Gold Plating (min)	Latch Orientation	Operating Temp Range	LED Color (L/R)
HCJT2-802SK	A	6 μ "	Tab-Up	-40°C to +85°C	None
HCJT2-804SK	A	30 μ "	Tab-Up	-40°C to +85°C	None
HCJT2-805SK	A	50 μ "	Tab-Up	-40°C to +85°C	None
HCJT2-802SK-L11	B	6 μ "	Tab-Up	-40°C to +85°C	Green/Green
HCJT2-804SK-L11	B	30 μ "	Tab-Up	-40°C to +85°C	Green/Green
HCJT2-805SK-L11	B	50 μ "	Tab-Up	-40°C to +85°C	Green/Green
HCJT2-802SK-L12	B	6 μ "	Tab-Up	-40°C to +85°C	Green/Yellow
HCJT2-804SK-L12	B	30 μ "	Tab-Up	-40°C to +85°C	Green/Yellow
HCJT2-805SK-L12	B	50 μ "	Tab-Up	-40°C to +85°C	Green/Yellow
HCJT2-802SK-L21	B	6 μ "	Tab-Up	-40°C to +85°C	Yellow/Green
HCJT2-804SK-L21	B	30 μ "	Tab-Up	-40°C to +85°C	Yellow/Green
HCJT2-805SK-L21	B	50 μ "	Tab-Up	-40°C to +85°C	Yellow/Green

Notes:

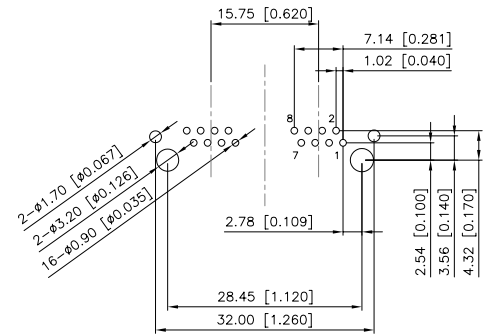
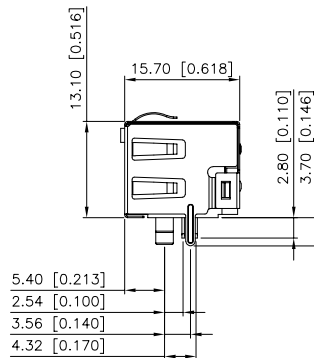
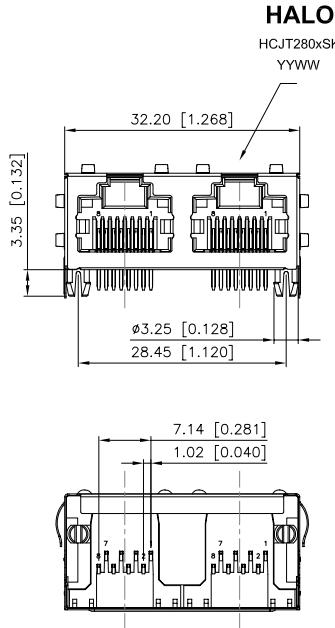
1. Alternate footprint variations available. Please contact the factory for additional information.
2. Part specific datasheets available upon request.

Recommended Panel Cutout



HALO 8P/8C Shielded Tab-Up 1x2 RJ45

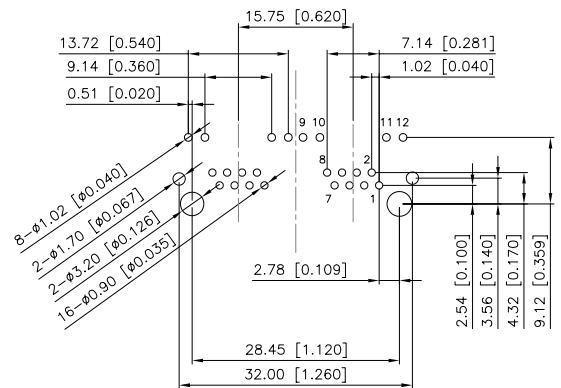
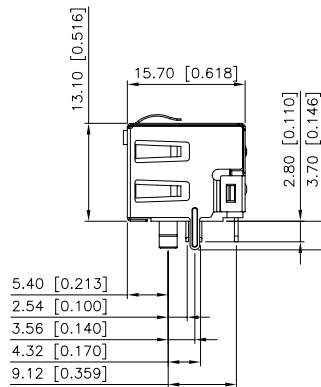
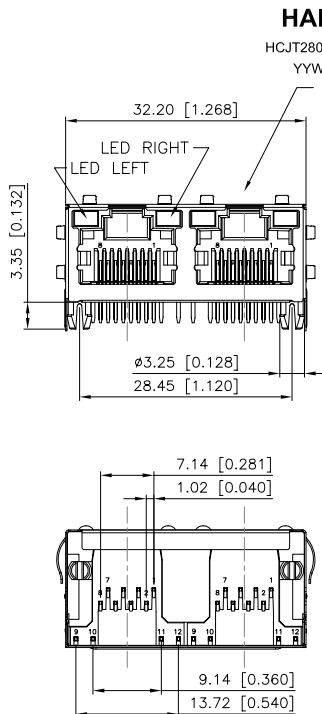
A - Mechanical (w/o LEDs)



Recommended PCB Layout (Top View)
Dimensional Tolerance: ± 0.08 [0.003]

DIMENSIONS: mm [inch]
TOLERANCE: .xx ± 0.25 [0.010]
.x ± 0.30 [0.012]

B - Mechanical (w/ LED's)



Recommended PCB Layout (Top View)
Dimensional Tolerance: ± 0.08 [0.003]

DIMENSIONS: mm [inch]
TOLERANCE: .xx ± 0.25 [0.010]
.x ± 0.30 [0.012]



2880 Lakeside Drive #116
Santa Clara, CA 95054
(650) 903-3800
www.haloelectronics.com

HALO® Electronics is a leading supplier of high quality communication magnetics including signal transformers, filters, CMR chokes, PoE power transformers, DC/DC converters, and integrated Ethernet connectors. HALO's leading edge technology solutions are manufactured in ISO9001 and ISO14001 factories offering high quality products at a competitive price.

X-ON Electronics

Largest Supplier of Electrical and Electronic Components

Click to view similar products for [Modular Connectors](#) / [Ethernet Connectors](#) category:

Click to view products by [HALO](#) manufacturer:

Other Similar products are found below :

[8949-H88/06BLKA/SN](#) [74441-0010/BKN](#) [PHP-6P6C-5](#) [GAX-3-66](#) [GAX-8-62](#) [GDCX-PN-66](#) [GLX-A-44](#) [GLX-N-1010M-BLK](#) [GMX-SMT4-N-88](#) [GSGX-N-2-88](#) [GSGX-N-4-88](#) [GSX-NS2-88-3.05](#) [GSX-NS-88-3.68](#) [PT-108A-8C-UL](#) [PTS-J531-8CS-50UL](#) [A-2014-0-4](#) [GWLX-S9-88-YG](#) [DC-1021-8-WH-6](#) [1300530003](#) [1324640-4](#) [RJ11FTVC2G](#) [RJ11FTVC2N](#) [RJFTVX2SA1G](#) [132764-001](#) [1413235](#) [MPS88RX-5000](#) [E5288-S000K3-L](#) [155302-001](#) [AX101050](#) [AX101063](#) [AX101065](#) [AX101072](#) [AX101307](#) [AX101315](#) [AX101318](#) [AX102271](#) [AX102282](#) [AX102288](#) [AX102651](#) [AX102660](#) [AX103259](#) [AX104024](#) [J0012D21NL](#) [J0026D01ENL](#) [PC4D0018P](#) [8949-B88/6](#) [2-6609208-5](#) [937-SP-3088-2PC-A192](#) [303066VFL](#) [303068V](#)