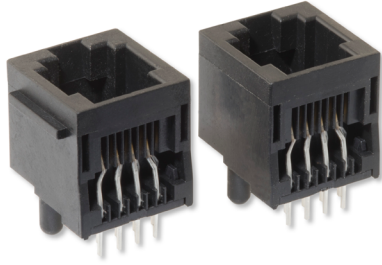


Unshielded Vertical 1x1 RJ45

8P/8C Vertical Unshielded RJ45 Ethernet Connectors



Product Features:

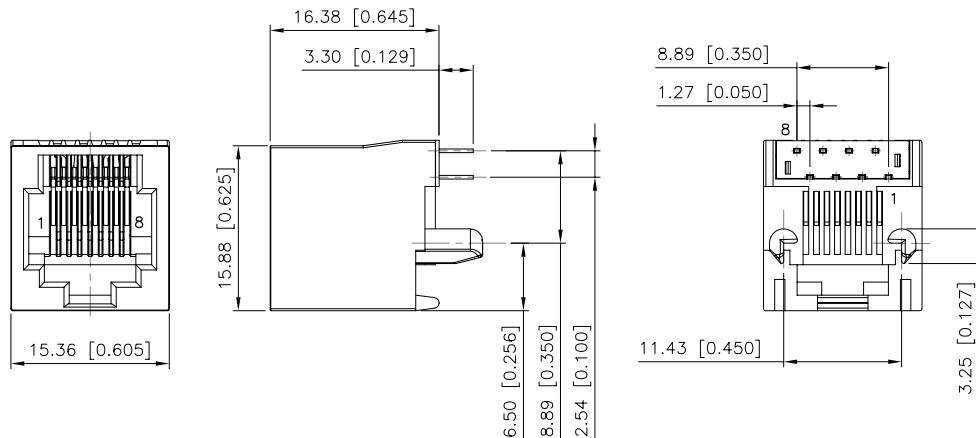
- Unshielded RJ45 Connectors
- Minimum of 750 Mating Cycles
- Multiple Gold Contact Plating Options
- DWV - 1000VAC Contact to Contact
- Current Rating - 1.5A
- Voltage Rating - 125V
- UL94V-0 Flammability Rating

Part Number	Mechanical	Contact Gold Plating (min)	Latch Orientation	Operating Temp Range	Panel Stops
HCJV1-802UK	A	6 μ "	Vertical - Top Entry	-40°C to +85°C	No
HCJV1-804UK	A	30 μ "	Vertical - Top Entry	-40°C to +85°C	No
HCJV1-805UK	A	50 μ "	Vertical - Top Entry	-40°C to +85°C	No
HCJV1-812UK	B	6 μ "	Vertical - Top Entry	-40°C to +85°C	Yes
HCJV1-814UK	B	30 μ "	Vertical - Top Entry	-40°C to +85°C	Yes
HCJV1-815UK	B	50 μ "	Vertical - Top Entry	-40°C to +85°C	Yes

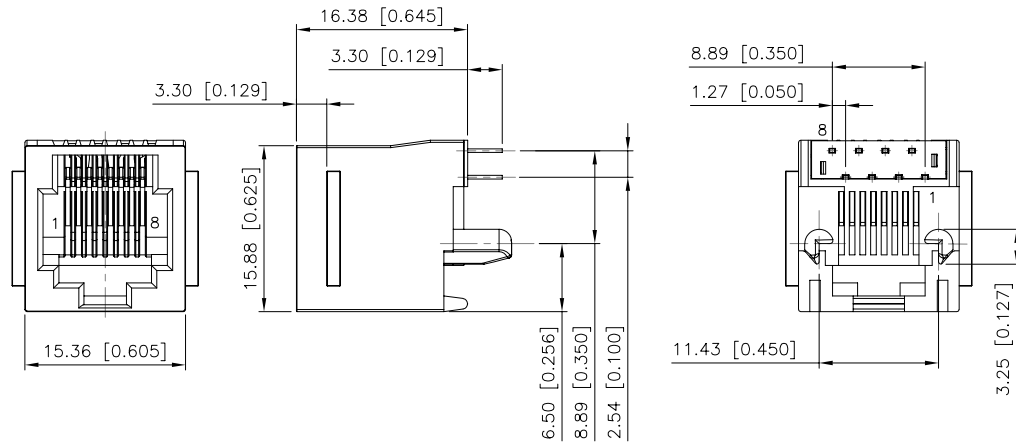
Notes:

1. Shielded and alternate footprint variations available. Please contact the factory for additional information.
2. Part specific datasheets available upon request.

A - Mechanical (w/o panel stops)

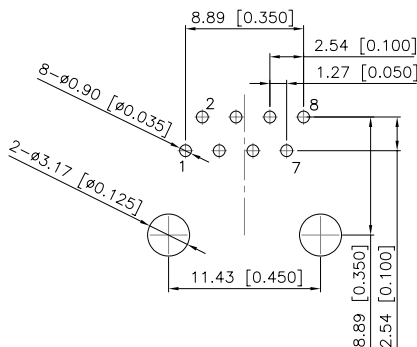


DIMENSIONS: mm [inch]
 TOLERANCE: .xx \pm 0.25 [0.010]
 .x \pm 0.30 [0.012]



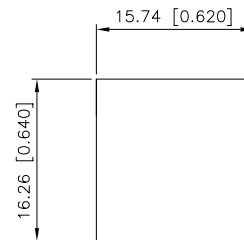
DIMENSIONS: mm [inch]
 TOLERANCE: .xx ±0.25 [0.010]
 .x ±0.30 [0.012]

Recommended Footprint



Recommended PCB Layout (Top View)
 Dimensional Tolerance: ±0.08 [0.003]

Recommended Panel Cutout



2880 Lakeside Drive #116
 Santa Clara, CA 95054
 (650) 903-3800
www.haloelectronics.com

HALO® Electronics is a leading supplier of high quality communication magnetics including signal transformers, filters, CMR chokes, PoE power transformers, DC/DC converters, and integrated Ethernet connectors. HALO's leading edge technology solutions are manufactured in ISO9001 and ISO14001 factories offering high quality products at a competitive price.

X-ON Electronics

Largest Supplier of Electrical and Electronic Components

Click to view similar products for [Modular Connectors / Ethernet Connectors](#) category:

Click to view products by [HALO](#) manufacturer:

Other Similar products are found below :

[8949-H88/06BLKA/SN](#) [74441-0010/BKN](#) [MP1010RX-1000](#) [MP44RX-1000](#) [PHJ-4P4C-1-V-4](#) [PHP-6P6C-5](#) [GAX-3-66](#) [GAX-8-62](#) [GDCX-PA-66-50](#) [GDCX-PN-64](#) [GDCX-PN-66](#) [GDCX-PN-66-50](#) [GDLX-A-66](#) [GDLX-N-66](#) [GDLX-S-66](#) [GDLX-S-88K](#) [GDLX-SMT-S-88](#) [GDTX-S-88-50](#) [GDX-PA-1010](#) [GLX-N-1010M-BLK](#) [GLX-S-88M-BLK](#) [GMX-N-1010](#) [GMX-S-1010](#) [GMX-S-66](#) [GMX-SMT4-N-88](#) [GPX-2-64](#) [GSGX-N-2-88](#) [GSGX-N-4-88](#) [GSX-NS2-88-3.05](#) [GSX-NS2-88-3.05-50](#) [GSX-NS-88-3.05-50](#) [PT-108A-8C-UL](#) [PT-J951-8C](#) [PTS-J531-8CS-50UL](#) [1-1775629-2](#) [A-2014-0-4](#) [GWLX-S-88-GR](#) [GWLX-S9-88-YG](#) [DC-1021-8-WH-6](#) [1300530003](#) [1324640-4](#) [RJ11FTVC2G](#) [RJ11FTVC2N](#) [RJFTVX2SA1G](#) [132764-001](#) [1413235](#) [MP88X-1000](#) [MPS88RX-5000](#) [E5288-S000K3-L](#) [E5908-15A242-L](#)