



Product Features:

- 2.5G and 5G Ethernet RJ45
- IEEE802.3bz Compliant
- Compatible with Voltage Mode PHYs
- 100% Compliance Testing
- 1500Vrms Hi-Pot
- 30µ" Gold (min) on Contacts
- UL60950 and UL62368 Recognized

2.5G Part Numbers							
Standard Temp (0 to 70°C)	Extended Temp (-40 to +85°C)	LED's (L/R)	Return Loss (min)				PHY Drive
			1-40MHz	60MHz	80MHz	100MHz	
HFJ11-2G48ERL	HFJ11-E2G48ERL	None	-18dB	-14.5dB	-12dB	-10dB	Voltage
HFJ11-2G48E-L11RL	HFJ11-E2G48E-L11RL	G/G	-18dB	-14.5dB	-12dB	-10dB	Voltage
HFJ11-2G48E-L12RL	HFJ11-E2G48E-L12RL	G/Y	-18dB	-14.5dB	-12dB	-10dB	Voltage

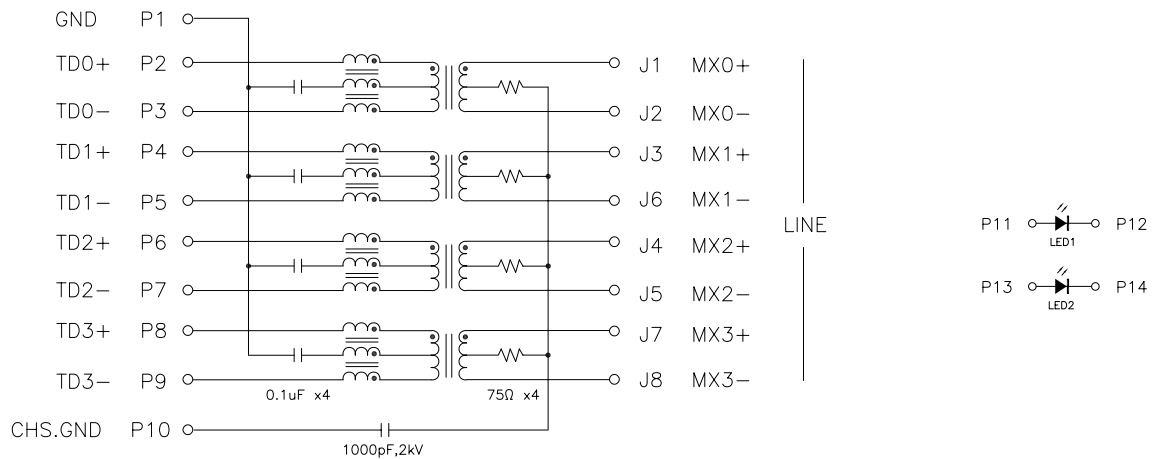
5G Part Numbers							
Standard Temp (0 to 70°C)	Extended Temp (-40 to +85°C)	LED's (L/R)	Return Loss (min)				PHY Drive
			1-40MHz	100MHz	200MHz	250MHz	
HFJ11-5G48ERL	HFJ11-E5G48ERL	None	-18dB	-13dB	-10dB	-8dB	Voltage
HFJ11-5G48E-L11RL	HFJ11-E5G48E-L11RL	G/G	-18dB	-13dB	-10dB	-8dB	Voltage
HFJ11-5G48E-L12RL	HFJ11-E5G48E-L12RL	G/Y	-18dB	-13dB	-10dB	-8dB	Voltage

Notes:

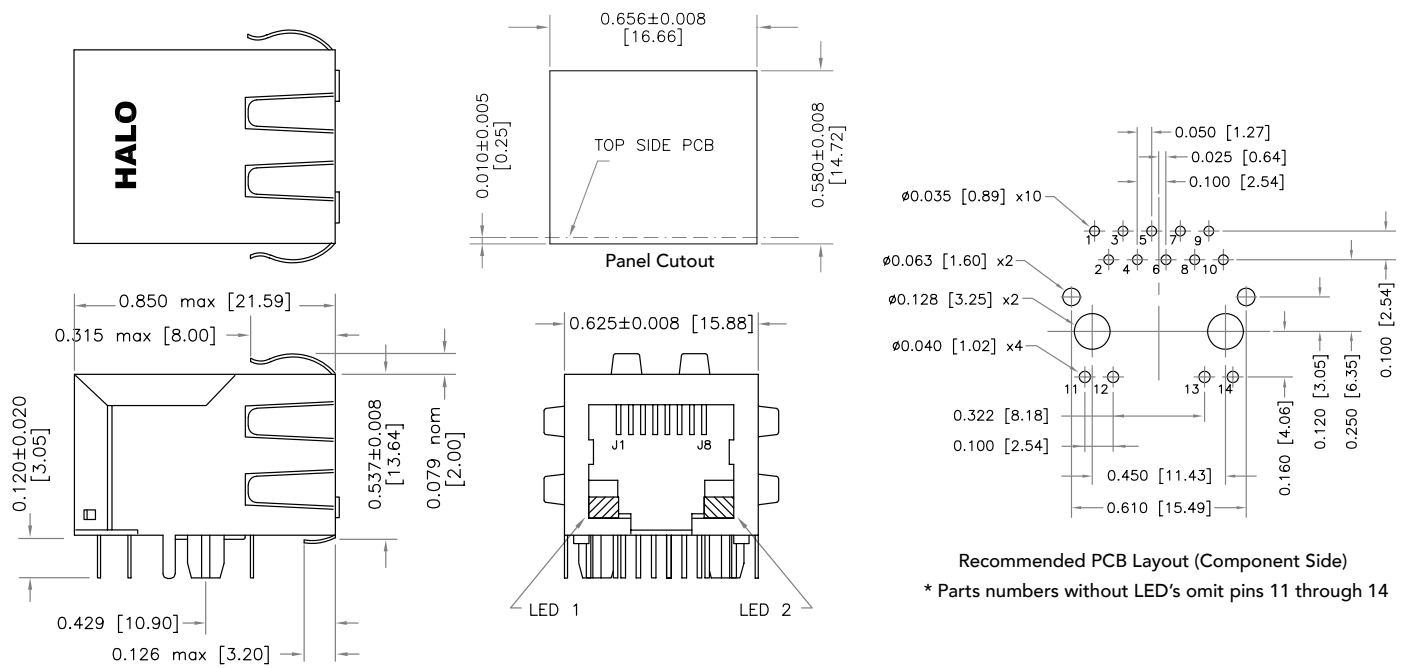
1. LED Key : G = Green, Y = Yellow
2. Other LED colors, bi-colors, polarities, and current limiting versions available
3. Part specific datasheets available upon request
4. Footprint interchangeable with other HALO Gigabit tab-down FastJacks
5. For 2.5G and 5G PoE applications please visit [fastjack-longbody-poe-2g5g.pdf](#)

HALO Short Body 2.5G and 5G Ethernet Family of FastJacks

Circuit Diagram



Mechanical



Dimensions are in inch [mm]



2880 Lakeside Drive #116
Santa Clara, CA 95054
(650) 903-3800
www.haloelectronics.com

HALO® Electronics is a leading supplier of high quality communication magnetics including signal transformers, filters, CMR chokes, PoE power transformers, DC/DC converters, and integrated Ethernet connectors. HALO's leading edge technology solutions are manufactured in ISO9001 and ISO14001 factories offering high quality products at a competitive price.

X-ON Electronics

Largest Supplier of Electrical and Electronic Components

Click to view similar products for [Modular Connectors / Ethernet Connectors](#) category:

Click to view products by [HALO](#) manufacturer:

Other Similar products are found below :

[8949-H88/06BLKA/SN](#) [74441-0010/BKN](#) [MP1010RX-1000](#) [MP44RX-1000](#) [PHJ-4P4C-1-V-4](#) [PHP-6P6C-5](#) [GAX-3-66](#) [GAX-8-62](#) [GDCX-PA-66-50](#) [GDCX-PN-64](#) [GDCX-PN-66](#) [GDCX-PN-66-50](#) [GDLX-A-66](#) [GDLX-N-66](#) [GDLX-S-66](#) [GDLX-S-88K](#) [GDLX-SMT-S-88](#) [GDTX-S-88-50](#) [GDX-PA-1010](#) [GLX-N-1010M-BLK](#) [GLX-S-88M-BLK](#) [GMX-N-1010](#) [GMX-S-1010](#) [GMX-S-66](#) [GMX-SMT4-N-88](#) [GPX-2-64](#) [GSGX-N-2-88](#) [GSGX-N-4-88](#) [GSX-NS2-88-3.05](#) [GSX-NS2-88-3.05-50](#) [GSX-NS-88-3.05-50](#) [PT-108A-8C-UL](#) [PT-J951-8C](#) [PTS-J531-8CS-50UL](#) [1-1775629-2](#) [A-2014-0-4](#) [GWLX-S-88-GR](#) [GWLX-S9-88-YG](#) [DC-1021-8-WH-6](#) [1300530003](#) [1324640-4](#) [RJ11FTVC2G](#) [RJ11FTVC2N](#) [RJFTVX2SA1G](#) [132764-001](#) [1413235](#) [MP88X-1000](#) [MPS88RX-5000](#) [E5288-S000K3-L](#) [E5908-15A242-L](#)