

Product Features:

- Gigabit (10/100/1000) Ethernet RJ45
- IEEE802.3af/802.3at Compliant
- Compatible with Current and Voltage Drive PHY's
- 100% Compliance Testing
- 1500Vrms Hi-Pot
- 30µ" Gold (min) on Contacts
- Proprietary Robust Contact Design

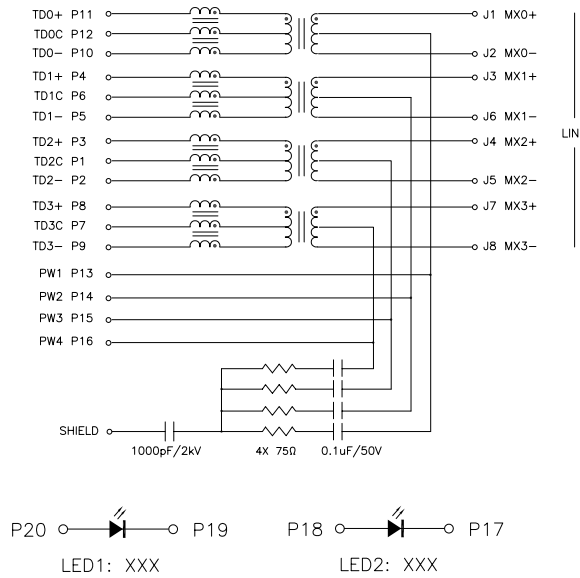
Part Number		Circuit	LED's (L/R)	PoE	PoE+	Return Loss (min)				Insertion Loss (max)
Standard Temp (0 to 70°C)	Extended Temp (-40 to +85°C)					1-40MHz	60MHz	80MHz	100MHz	
HFJT1-1GPRL	HFJT1-1GPERL	A	None	✓		-18dB	-14dB	-12dB	-10dB	-1.1dB
HFJT1-1GP-L11RL	HFJT1-1GPE-L11RL	A	G/G	✓		-18dB	-14dB	-12dB	-10dB	-1.1dB
HFJT1-1GP-L12RL	HFJT1-1GPE-L12RL	A	G/Y	✓		-18dB	-14dB	-12dB	-10dB	-1.1dB
HFJT1-1GP-L17RL	HFJT1-1GPE-L17RL	A	G/G(O)	✓		-18dB	-14dB	-12dB	-10dB	-1.1dB
HFJT1-1GP-L51RL	HFJT1-1GPE-L51RL	A	G(Y)/G	✓		-18dB	-14dB	-12dB	-10dB	-1.1dB
HFJT1-1GP-L55RL	HFJT1-1GPE-L55RL	A	G(Y)/G(Y)	✓		-18dB	-14dB	-12dB	-10dB	-1.1dB
HFJT1-1GP-L71RL	HFJT1-1GPE-L71RL	A	G(O)/G	✓		-18dB	-14dB	-12dB	-10dB	-1.1dB
HFJT1-1GP-L72RL	HFJT1-1GPE-L72RL	A	G(O)/Y	✓		-18dB	-14dB	-12dB	-10dB	-1.1dB
HFJT1-1GHPRL	HFJT1-1GHPERL	A	None		✓	-18dB	-14dB	-12dB	-10dB	-1.1dB
HFJT1-1GHP-L11RL	HFJT1-1GHPE-L11RL	A	G/G		✓	-18dB	-14dB	-12dB	-10dB	-1.1dB
HFJT1-1GHP-L12RL	HFJT1-1GHPE-L12RL	A	G/Y		✓	-18dB	-14dB	-12dB	-10dB	-1.1dB
HFJT1-1GHP-L17RL	HFJT1-1GHPE-L17RL	A	G/G(O)		✓	-18dB	-14dB	-12dB	-10dB	-1.1dB
HFJT1-1GHP-L51RL	HFJT1-1GHPE-L51RL	A	G(Y)/G		✓	-18dB	-14dB	-12dB	-10dB	-1.1dB
HFJT1-1GHP-L55RL	HFJT1-1GHPE-L55RL	A	G(Y)/G(Y)		✓	-18dB	-14dB	-12dB	-10dB	-1.1dB
HFJT1-1GHP-L71RL	HFJT1-1GHPE-L71RL	A	G(O)/G		✓	-18dB	-14dB	-12dB	-10dB	-1.1dB
HFJT1-1GHP-L72RL	HFJT1-1GHPE-L72RL	A	G(O)/Y		✓	-18dB	-14dB	-12dB	-10dB	-1.1dB

Notes:

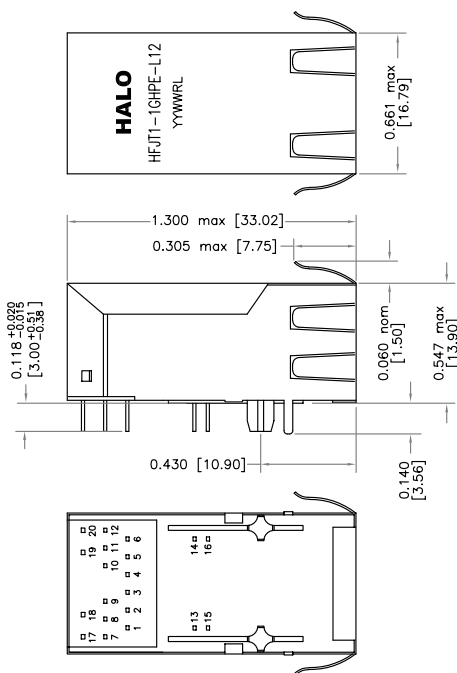
1. LED Key : G = Green, Y = Yellow, O = Orange, () = Bi-Color
2. Other LED colors, bi-colors, polarities, and current limiting versions available
3. Part specific datasheets available

HALO "Long Body" Gigabit Ethernet Family of FastJacks

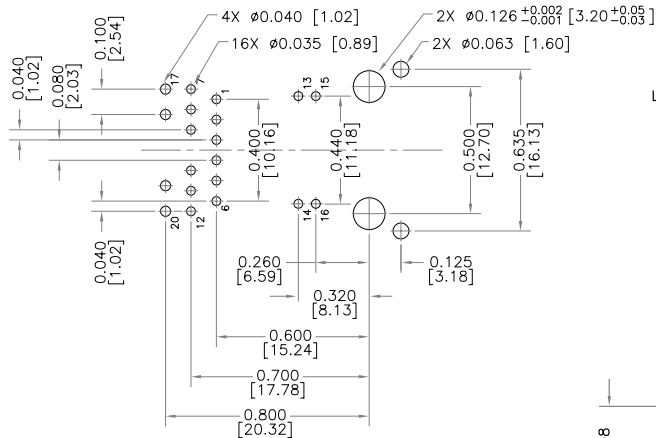
Circuit A



Mechanical

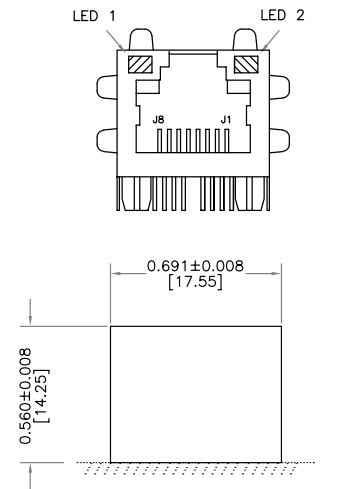


Dimensions are in inches [mm]



Recommended PCB Layout (Component Side)

* Parts numbers without LED's omit pins 17 through 20



RECOMMENDED PANEL CUT



2880 Lakeside Drive #116
Santa Clara, CA 95054
(650) 903-3800
www.haloelectronics.com

HALO® Electronics is a leading supplier of high quality communication magnetics including signal transformers, filters, CMR chokes, PoE power transformers, DC/DC converters, and integrated Ethernet connectors. HALO's leading edge technology solutions are manufactured in ISO9001 and ISO14001 factories offering high quality products at a competitive price.

© Copyright 2014 HALO Electronics, Inc. All rights reserved.

Revised 3/2014 Download the latest version at www.haloelectronics.com/pdf/fastjack-longbody-poe-gigabit.pdf

X-ON Electronics

Largest Supplier of Electrical and Electronic Components

Click to view similar products for [Modular Connectors / Ethernet Connectors](#) category:

Click to view products by [HALO](#) manufacturer:

Other Similar products are found below :

[8949-H88/06BLKA/SN](#) [74441-0010/BKN](#) [MP1010RX-1000](#) [MP44RX-1000](#) [PHJ-4P4C-1-V-4](#) [PHP-6P6C-5](#) [GAX-3-66](#) [GAX-8-62](#) [GDCX-PA-66-50](#) [GDCX-PN-64](#) [GDCX-PN-66](#) [GDCX-PN-66-50](#) [GDLX-A-66](#) [GDLX-N-66](#) [GDLX-S-66](#) [GDLX-S-88K](#) [GDLX-SMT-S-88](#) [GDTX-S-88-50](#) [GDX-PA-1010](#) [GLX-N-1010M-BLK](#) [GLX-S-88M-BLK](#) [GMX-N-1010](#) [GMX-S-1010](#) [GMX-S-66](#) [GMX-SMT4-N-88](#) [GPX-2-64](#) [GSGX-N-2-88](#) [GSGX-N-4-88](#) [GSX-NS2-88-3.05](#) [GSX-NS2-88-3.05-50](#) [GSX-NS-88-3.05-50](#) [PT-108A-8C-UL](#) [PT-J951-8C](#) [PTS-J531-8CS-50UL](#) [1-1775629-2](#) [A-2014-0-4](#) [GWLX-S-88-GR](#) [GWLX-S9-88-YG](#) [DC-1021-8-WH-6](#) [1300530003](#) [1324640-4](#) [RJ11FTVC2G](#) [RJ11FTVC2N](#) [RJFTVX2SA1G](#) [132764-001](#) [1413235](#) [MP88X-1000](#) [MPS88RX-5000](#) [E5288-S000K3-L](#) [E5908-15A242-L](#)