

## Product Features:

- 2.5G and 5G Ethernet RJ45
- IEEE802.3bz/af/at/bt Compliant
- Compatible with Current and Voltage Drive PHY's
- 100% Compliance Testing
- 1500Vrms Hi-Pot
- 30µ" Gold (min) on Contacts
- Proprietary Robust Contact Design
- UL60950 and UL62368 Recognized

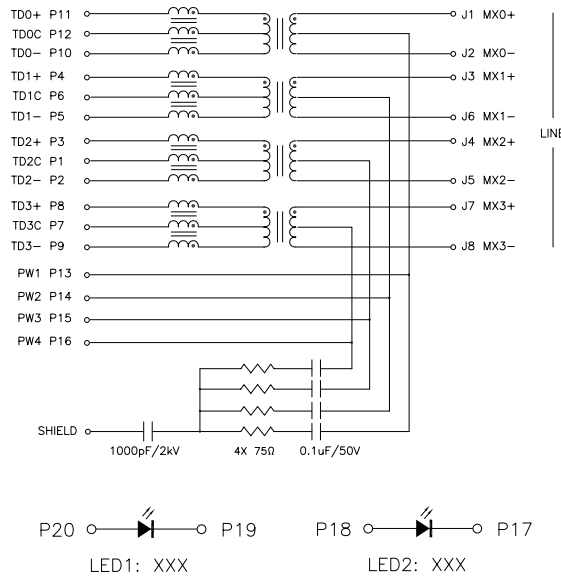
Part Number		Data Rate	LED's (L/R)	PoE+	4PPoE	Current Per Pair
Standard Temp (0 to 70°C)	Extended Temp (-40 to +85°C)					
HFJT1-2GHPRL	HFJT1-2GHPERL	2.5G	None	✓	✓	600mA
HFJT1-2GHP-L11RL	HFJT1-2GHPE-L11RL	2.5G	G/G	✓	✓	600mA
HFJT1-2GHP-L12RL	HFJT1-2GHPE-L12RL	2.5G	G/Y	✓	✓	600mA
HFJT1-2GH4PRL	HFJT1-2GH4PERL	2.5G	None	✓	✓	1A
HFJT1-2GH4P-L11RL	HFJT1-2GH4PE-L11RL	2.5G	G/G	✓	✓	1A
HFJT1-2GH4P-L12RL	HFJT1-2GH4PE-L12RL	2.5G	G/Y	✓	✓	1A
HFJT1-5GHPRL	HFJT1-5GHPERL	5G	None	✓	✓	600mA
HFJT1-5GHP-L11RL	HFJT1-5GHPE-L11RL	5G	G/G	✓	✓	600mA
HFJT1-5GHP-L12RL	HFJT1-5GHPE-L12RL	5G	G/Y	✓	✓	600mA
HFJT1-5GH4PRL	HFJT1-5GH4PERL	5G	None	✓	✓	1A
HFJT1-5GH4P-L11RL	HFJT1-5GH4PE-L11RL	5G	G/G	✓	✓	1A
HFJT1-5GH4P-L12RL	HFJT1-5GH4PE-L12RL	5G	G/Y	✓	✓	1A

Notes:

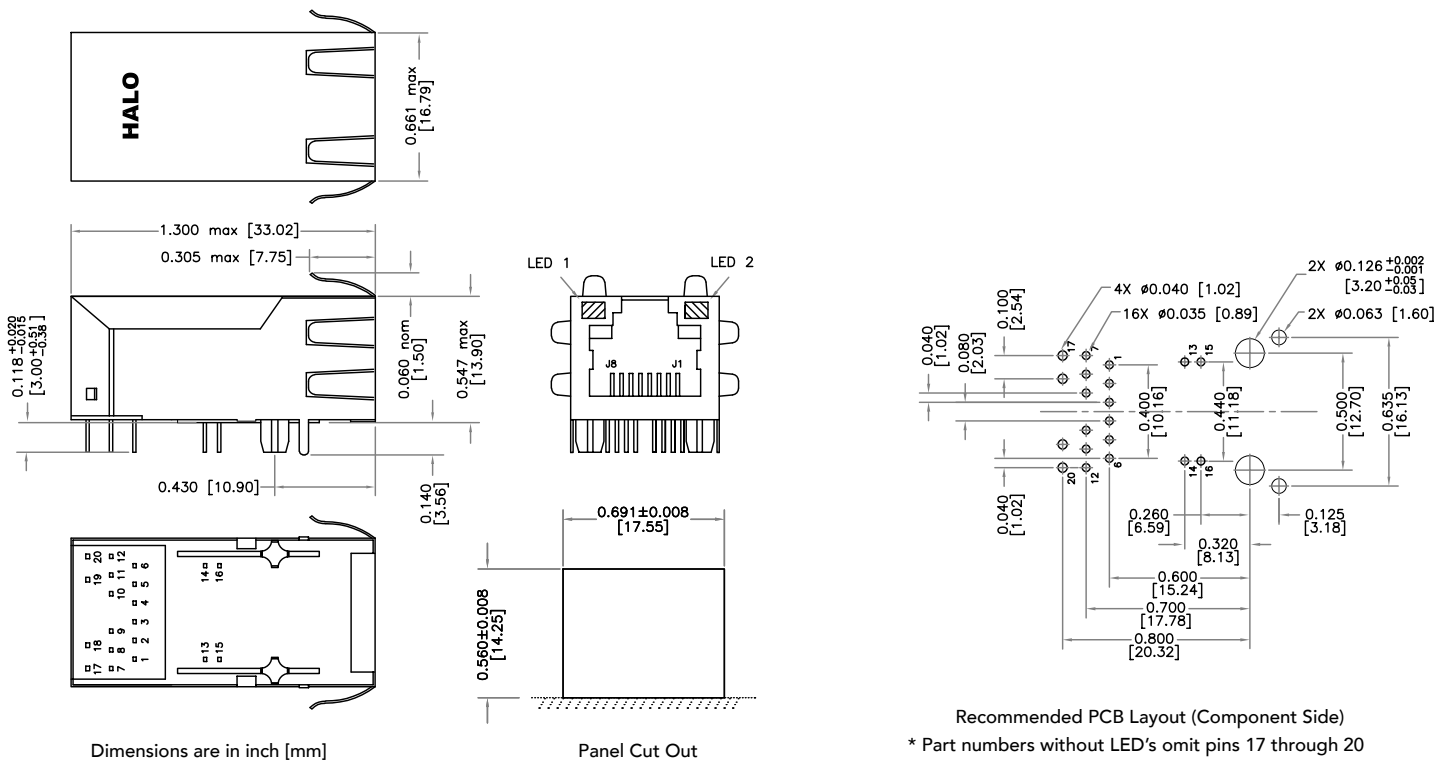
1. LED Key : G = Green, Y = Yellow
2. Other LED colors, bi-colors, polarities, and current limiting versions available
3. Part specific datasheets available upon request
4. Footprint interchangeable with other HALO Gigabit and 10G Tab-Up FastJacks

# HALO "Long Body" 2.5G and 5G Ethernet Family of FastJacks

## Circuit Diagram



## Mechanical



2880 Lakeside Drive #116  
 Santa Clara, CA 95054  
 (650) 903-3800  
[www.haloelectronics.com](http://www.haloelectronics.com)

HALO® Electronics is a leading supplier of high quality communication magnetics including signal transformers, filters, CMR chokes, PoE power transformers, DC/DC converters, and integrated Ethernet connectors. HALO's leading edge technology solutions are manufactured in ISO9001 and ISO14001 factories offering high quality products at a competitive price.

## X-ON Electronics

Largest Supplier of Electrical and Electronic Components

*Click to view similar products for [Modular Connectors / Ethernet Connectors](#) category:*

*Click to view products by [HALO](#) manufacturer:*

Other Similar products are found below :

[8949-H88/06BLKA/SN](#) [74441-0010/BKN](#) [MP1010RX-1000](#) [MP44RX-1000](#) [PHJ-4P4C-1-V-4](#) [PHP-6P6C-5](#) [GAX-3-66](#) [GAX-8-62](#) [GDCX-PA-66-50](#) [GDCX-PN-64](#) [GDCX-PN-66](#) [GDCX-PN-66-50](#) [GDLX-A-66](#) [GDLX-N-66](#) [GDLX-S-66](#) [GDLX-S-88K](#) [GDLX-SMT-S-88](#) [GDTX-S-88-50](#) [GDX-PA-1010](#) [GLX-N-1010M-BLK](#) [GLX-S-88M-BLK](#) [GMX-N-1010](#) [GMX-S-1010](#) [GMX-S-66](#) [GMX-SMT4-N-88](#) [GPX-2-64](#) [GSGX-N-2-88](#) [GSGX-N-4-88](#) [GSX-NS2-88-3.05](#) [GSX-NS2-88-3.05-50](#) [GSX-NS-88-3.05-50](#) [PT-108A-8C-UL](#) [PT-J951-8C](#) [PTS-J531-8CS-50UL](#) [1-1775629-2](#) [A-2014-0-4](#) [GWLX-S-88-GR](#) [GWLX-S9-88-YG](#) [DC-1021-8-WH-6](#) [1300530003](#) [1324640-4](#) [RJ11FTVC2G](#) [RJ11FTVC2N](#) [RJFTVX2SA1G](#) [132764-001](#) [1413235](#) [MP88X-1000](#) [MPS88RX-5000](#) [E5288-S000K3-L](#) [E5908-15A242-L](#)