



Housing Material: Polyester, Black UL94V-0  
 Contacts: Phosphor Bronze 30µm Au plating over Ni  
 Leads: Matte Sn over Ni  
 Durability: 1000 mating cycles  
 Dimensions: Inch [mm]



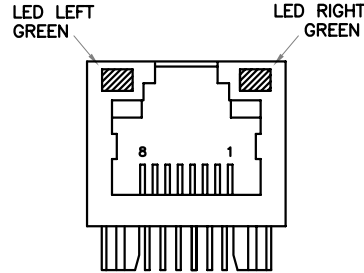
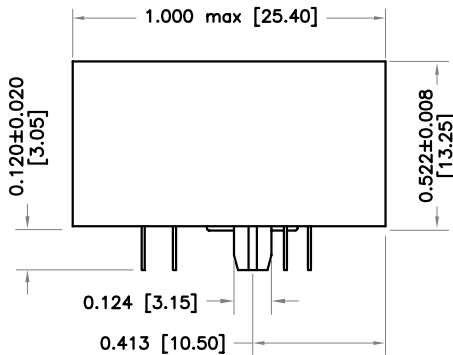
**PART NO. : HFJT1-S013U-L11RL**

FASTJACK™ WITH IEEE802.3u COMPLIANT MAGNETICS FOR 10/100BASE-TX APPLICATIONS

RoHS COMPLIANT

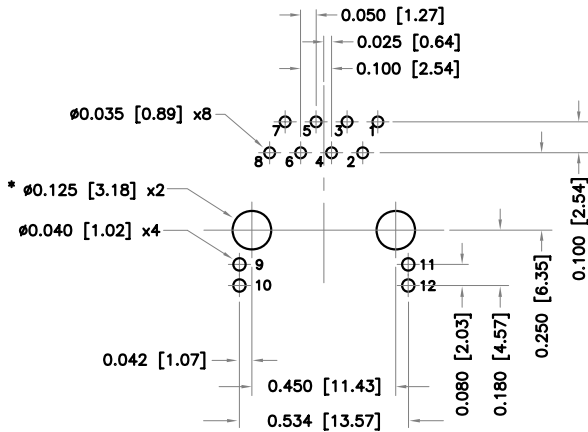
UL/EN60950 RECOGNIZED

OPERATING TEMPERATURE 0/70°C

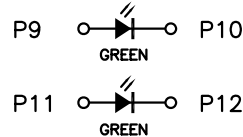


**ELECTRICAL SPECIFICATIONS @ 25° C**

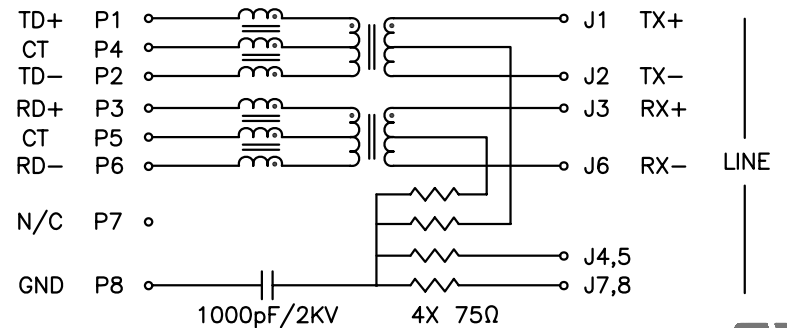
URNS RATIO	1CT:1 ±3%
OCL (100KHz,0.1Vrms,8mA) P1-P2,P3-P6	350µH min
INSERTION LOSS 0.1-100MHz	-1.1dB max
RETURN LOSS 0.5-30MHz	-18dB min
40MHz	-15.5dB min
50MHz	-13.6dB min
60-80MHz	-12dB min
CROSSTALK 0.1-100MHz	-40dB typ
CMR 0.1-30MHz	-38dB typ
30-60MHz	-35dB typ
60-100MHz	-30dB typ
ISOLATION	1,500Vrms



RECOMMENDED P.C. BOARD PATTERN (COMP. SIDE)  
 \* DEPENDS ON THE PCB BOARD THICKNESS AND PROCESS TOLERANCES, ADJUST THE NOMINAL SIZE TO ENSURE A SNUG FIT



LED FORWARD VOLTAGE/  
 CURRENT: 2.1V/10mA typ



**HALO/PBL**

CALIFORNIA, USA  
 KOWLOON, HONG KONG  
 SINGAPORE

TITLE	FastJack™ UNSHIELDED	SIGNATURES	DATE	REV.	DESC.	DATE
FOR	FAST ETHERNET	DRAWN	PETER LU	8/27/04	A	FIRST ISSUE
PART NO.	HFJT1-S013U-L11RL	CHECKED	LEI KEONG	6/2/08	B	UPDATE
SCALE	NONE	APPROVED	PETER LU	6/2/08	C	PROD. RELEASE
PAGE	1 OF 1	FILE	HFJT1-S013U-L11RL.DWG			

## X-ON Electronics

Largest Supplier of Electrical and Electronic Components

*Click to view similar products for [Modular Connectors / Ethernet Connectors](#) category:*

*Click to view products by [HALO](#) manufacturer:*

Other Similar products are found below :

[8949-H88/06BLKA/SN](#) [74441-0010/BKN](#) [MP1010RX-1000](#) [MP44RX-1000](#) [PHJ-4P4C-1-V-4](#) [PHP-6P6C-5](#) [GAX-3-66](#) [GAX-8-62](#) [GDCX-PA-66-50](#) [GDCX-PN-64](#) [GDCX-PN-66](#) [GDCX-PN-66-50](#) [GDLX-A-66](#) [GDLX-N-66](#) [GDLX-S-66](#) [GDLX-S-88K](#) [GDLX-SMT-S-88](#) [GDTX-S-88-50](#) [GDX-PA-1010](#) [GLX-N-1010M-BLK](#) [GLX-S-88M-BLK](#) [GMX-N-1010](#) [GMX-S-1010](#) [GMX-S-66](#) [GMX-SMT4-N-88](#) [GPX-2-64](#) [GSGX-N-2-88](#) [GSGX-N-4-88](#) [GSX-NS2-88-3.05](#) [GSX-NS2-88-3.05-50](#) [GSX-NS-88-3.05-50](#) [PT-108A-8C-UL](#) [PT-J951-8C](#) [PTS-J531-8CS-50UL](#) [1-1775629-2](#) [A-2014-0-4](#) [GWLX-S-88-GR](#) [GWLX-S9-88-YG](#) [DC-1021-8-WH-6](#) [1300530003](#) [1324640-4](#) [RJ11FTVC2G](#) [RJ11FTVC2N](#) [RJFTVX2SA1G](#) [132764-001](#) [1413235](#) [MP88X-1000](#) [MPS88RX-5000](#) [E5288-S000K3-L](#) [E5908-15A242-L](#)