

FastJack™ - 10G Vertical RJ45



1x1 Vertical 10G Integrated RJ45



Product Features:

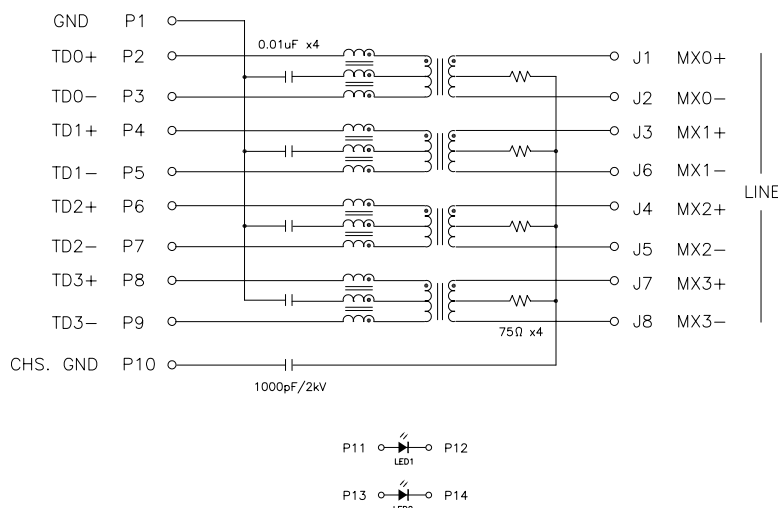
- 10G Ethernet RJ45
- IEEE802.3an Compliant
- Compatible with Voltage Drive PHYs
- 100% Compliance Testing
- 1500Vrms Hi-Pot
- Hard Gold on Contacts
- UL60950 and UL62368 Recognized

Part Number		Data Rate	LED's (L/R)	Return Loss (MHz)			
Standard Temp (0 to 70°C)	Extended Temp (-40 to +85°C)			1-10	10-40	40-400	400-500
HFJV1-10G1RL	HFJV1-E10G1RL	10G	None	-13dB	-10dB	-7dB	-5dB
HFJV1-10G1-L11RL	HFJV1-E10G1-L11RL	10G	G/G	-13dB	-10dB	-7dB	-5dB
HFJV1-10G1-L12RL	HFJV1-E10G1-L12RL	10G	G/Y	-13dB	-10dB	-7dB	-5dB
HFJV1-10G1-L21RL	HFJV1-E10G1-L21RL	10G	Y/G	-13dB	-10dB	-7dB	-5dB

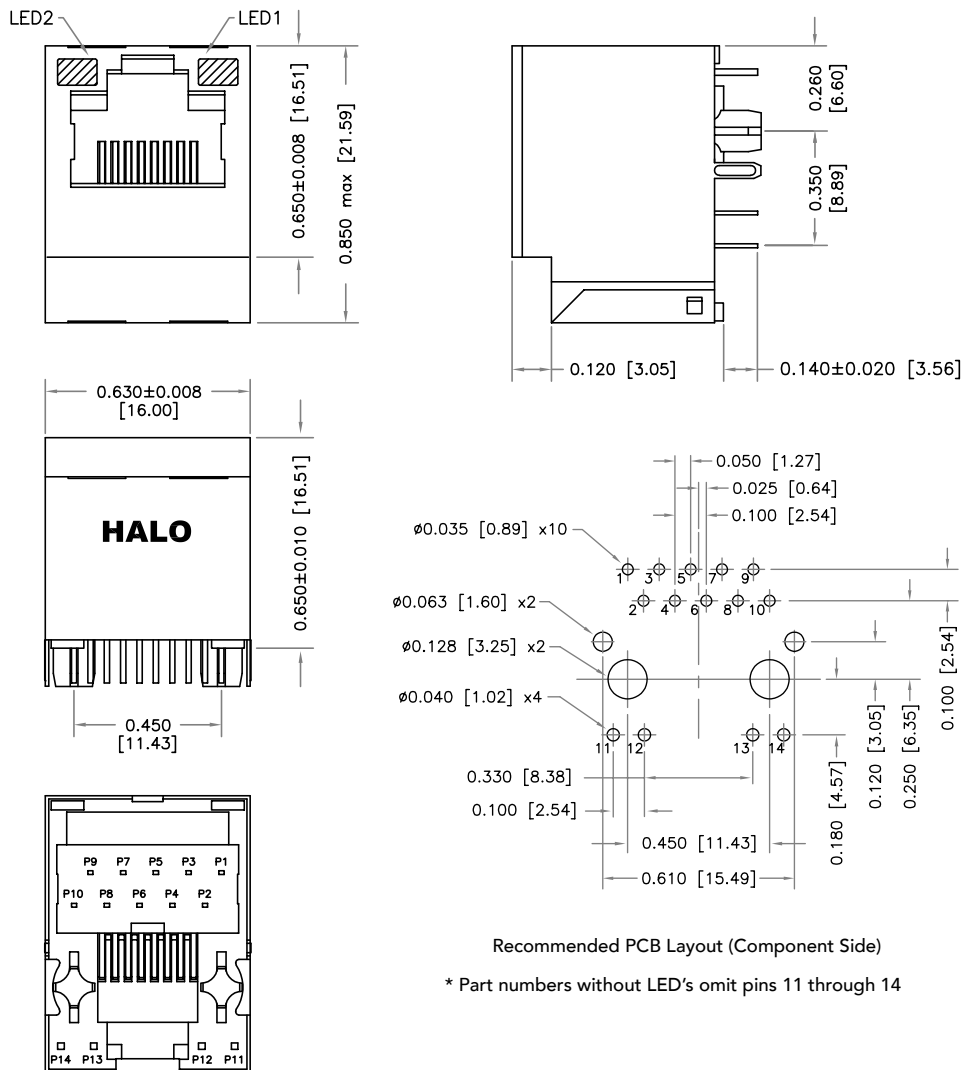
Notes:

1. LED Key : G = Green, Y = Yellow
2. Other single LED colors and bi-colors available
3. Part specific datasheets available upon request
4. Footprint interchangeable with other HALO [Vertical Gigabit FastJacks](#)

Circuit Diagram



For additional information contact your [local representative](#), or HALO's support staff at (650) 903-3800 or info@haloelectronics.com



Dimensions are in inch [mm]



Santa Clara, CA
(650) 903-3800

www.haloelectronics.com

HALO® Electronics is a leading supplier of high quality communication magnetics including signal transformers, filters, CMR chokes, PoE power transformers, DC/DC converters, and integrated Ethernet connectors. HALO's leading edge technology solutions are manufactured in ISO9001 and ISO14001 factories offering high quality products at a competitive price.

X-ON Electronics

Largest Supplier of Electrical and Electronic Components

Click to view similar products for [Modular Connectors / Ethernet Connectors](#) category:

Click to view products by [HALO](#) manufacturer:

Other Similar products are found below :

[8949-H88/06BLKA/SN](#) [74441-0010/BKN](#) [MP1010RX-1000](#) [MP44RX-1000](#) [PHJ-4P4C-1-V-4](#) [PHP-6P6C-5](#) [GAX-3-66](#) [GAX-8-62](#) [GDCX-PA-66-50](#) [GDCX-PN-64](#) [GDCX-PN-66](#) [GDCX-PN-66-50](#) [GDLX-A-66](#) [GDLX-N-66](#) [GDLX-S-66](#) [GDLX-S-88K](#) [GDLX-SMT-S-88](#) [GDTX-S-88-50](#) [GDX-PA-1010](#) [GLX-N-1010M-BLK](#) [GLX-S-88M-BLK](#) [GMX-N-1010](#) [GMX-S-1010](#) [GMX-S-66](#) [GMX-SMT4-N-88](#) [GPX-2-64](#) [GSGX-N-2-88](#) [GSGX-N-4-88](#) [GSX-NS2-88-3.05](#) [GSX-NS2-88-3.05-50](#) [GSX-NS-88-3.05-50](#) [PT-108A-8C-UL](#) [PT-J951-8C](#) [PTS-J531-8CS-50UL](#) [1-1775629-2](#) [A-2014-0-4](#) [GWLX-S-88-GR](#) [GWLX-S9-88-YG](#) [DC-1021-8-WH-6](#) [1300530003](#) [1324640-4](#) [RJ11FTVC2G](#) [RJ11FTVC2N](#) [RJFTVX2SA1G](#) [132764-001](#) [1413235](#) [MP88X-1000](#) [MPS88RX-5000](#) [E5288-S000K3-L](#) [E5908-15A242-L](#)