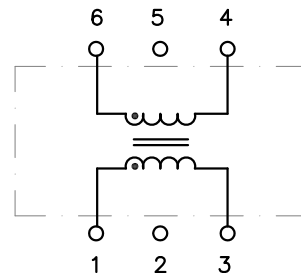
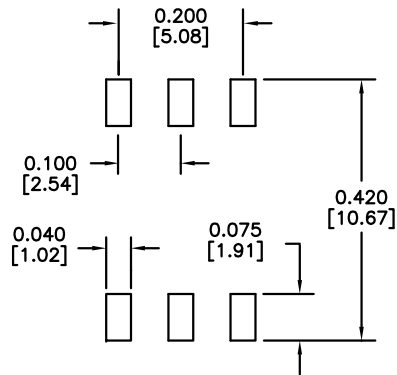


DIMENSIONS: Inch[mm]
CO-PLANARITY: 0.004[0.10]
TOLERANCES: ±0.005 INCH IF NOT SPECIFIED



PART NO. : TG01-7856NSLF

6PIN SMT GATE DRIVE TRANSFORMER
LEAD-FREE/ROHS COMPLIANT
COMPATIBLE TO LEAD-FREE SOLDERING PROCESS
CONDITION PER IPC/JEDEC J-STD-020C
UL/EN60950 AND DEMKO RECOGNIZED
OPERATING TEMPERATURE -40/+85°C

ELECTRICAL SPECIFICATIONS @25°C

URNS RATIO	
P1-3:P6-4	1:1
ET CONSTANT P1-3	12V-μs min ¹
OCL P1-P3	785μH min
LL P1-P3	0.3μH max
DCR P1-P3	0.6 Ω max
P4-P6	0.6 Ω max
Cw/w	25pF max
ISOLATION	1,500Vrms

1. MINIMUM ET CONSTANT OVER OPERATING TEMPERATURES.

RECOMMENDED SOLDER PAD DIMENSIONS



HALO/PBL

TITLE	SMT TRANSFORMER		SIGNATURES	DATE	REV.	DESC.	DATE						
	FOR	GATE DRIVE						DRAWN	LI ZHI ZHONG	9/4/14	A	FIRST ISSUE	9/4/14
	PART NO.	TG01-7856NSLF						CHECKED	LEI KEONG	10/10/14	B	PROD. RELEASE	10/10/14
SCALE	NONE	PAGE	1 OF 1	APPROVED	PETER LU	10/10/14							
FILE				7856NSLF.DWG									

CALIFORNIA, USA
KOWLOON, HONG KONG
SINGAPORE

X-ON Electronics

Largest Supplier of Electrical and Electronic Components

Click to view similar products for [Audio Transformers](#) / [Signal Transformers](#) category:

Click to view products by [HALO](#) manufacturer:

Other Similar products are found below :

[CX2041NLT](#) [MGPWT-00449-P](#) [PE-64961](#) [H1302FNLT](#) [H5008FNL](#) [H5012FNL](#) [H5020FNLT](#) [H5077NLT](#) [H5079NLT](#) [H5084FNLT](#)
[B78476A9558A003](#) [1812WBT2-4](#) [1879479-1](#) [HX2260FNL](#) [HX5014FNL](#) [EX2024FNL](#) [FL1066](#) [T1137NLT](#) [T3012NL](#) [PE-65812FNL](#) [PE-65848FNLT](#) [H1174FNL](#) [H1302FNL](#) [H5015FNL](#) [H5019EFNL](#) [H5062FNLT](#) [CX2047LNL](#) [MGPWT-00059-P](#) [MGPWT-00266-P](#) [MGPWT-00278-P](#) [MGPWT-00431-P](#) [TTC-100](#) [TTC-143-H](#) [TTC-5032-1](#) [BX1194WNLT](#) [HX1234NLT](#) [HX5008FNLT](#) [HX5019FNL](#) [HX5084NL](#) [3-1879385-5](#) [TX1263NLT](#) [4-1879391-0](#) [T1142NL](#) [HX6101FNL](#) [HX5084FNL](#) [HX1148NL](#) [HX5020FNLT](#) [HX5014FNLT](#) [T1124NL](#)
[1879732-1](#)