



PART NO. : TG1G-E005J24LF

DESIGNED FOR DUAL-PORT FAST ETHERNET OR SINGLE-PORT GIGABIT ETHERNET APPLICATIONS

LEAD-FREE/RoHS COMPLIANT

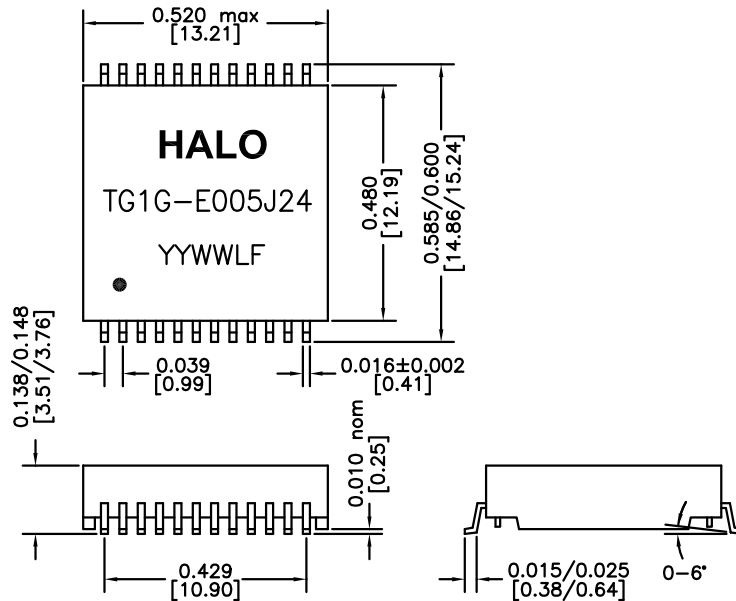
COMPATIBLE TO LEAD-FREE SOLDERING PROCESS CONDITION PER IPC/JEDEC J-STD-020C

EXTENDED OPERATING TEMPERATURE -40/+85°C *

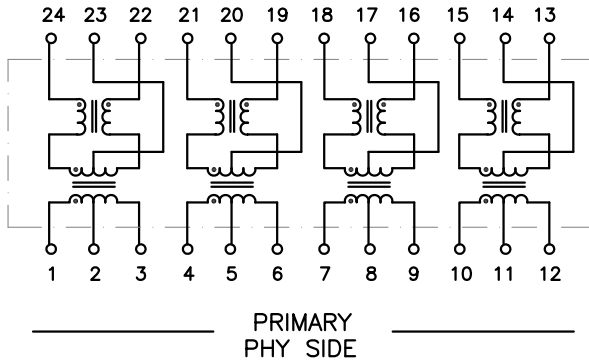
ELECTRICAL SPECIFICATIONS @ 25°C

URNS RATIO	1CT:1CT ±3%
OCL (100KHz,0.1V,8mA)	350µH min
DCR (PRI)	1.3Ω max
LL (1MHz,0.1V)	0.4µH max
Cw/w	30pF max
INSERTION LOSS	
1-100MHz	-1.1dB max
RETURN LOSS	
0.5-40MHz	-18dB min
60MHz	-14dB min
80MHz	-12dB min
100MHz	-10dB min
CROSSTALK 1-100MHz	-40dB typ
CMR 1-100MHz	-40dB typ
ISOLATION	1,500Vrms

* TRANSFORMER MODULE WILL FUNCTIONAL WORK FROM -55°C TO +85°C WITH MINIMUM 120uH OCL



DIMENSIONS: Inch [mm]
CO-PLANARITY: 0.004 [0.10]
TOLERANCES: ±0.005 INCH IF NOT SPECIFIED

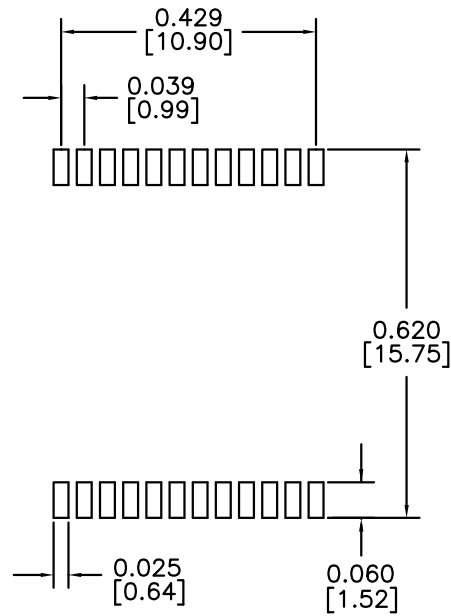


HALO/PBL

CALIFORNIA, USA
KOWLOON, HONG KONG
SINGAPORE

TITLE	SIGNATURES	DATE	REV.	DESC.	DATE
ISOLATION MODULE	DRAWN LI ZHI ZHONG	11/16/15	A	FIRST ISSUE	11/16/15
FOR 10/100/1000BASE-T	CHECKED LEI KEONG	12/19/17	B	PROD. RELEASE	2/1/16
PART NO. TG1G-E005J24LF	APPROVED PETER LU	12/19/17	C	ADD TEMP. NOTE	12/19/17
SCALE NONE	FILE E005J24LF.DWG				
PAGE 1 OF 2					





RECOMMENDED PAD DIMENSIONS
 DIMENSIONS: Inch [mm]

HALO/PBL	TITLE ISOLATION MODULE		SIGNATURES		DATE	REV.	DESC.	DATE
	FOR 10/100/1000BASE-T		DRAWN LI ZHI ZHONG		11/16/15	A	FIRST ISSUE	11/16/15
	PART NO. TG1G-E005J24LF		CHECKED LEI KEONG		12/19/17	B	PROD. RELEASE	2/1/16
	SCALE NONE		APPROVED PETER LU		12/19/17	C	ADD TEMP. NOTE	12/19/17
CALIFORNIA, USA KOWLOON, HONG KONG SINGAPORE	PAGE 2 OF 2		FILE E005J24LF.DWG					

X-ON Electronics

Largest Supplier of Electrical and Electronic Components

Click to view similar products for [Audio Transformers](#) / [Signal Transformers](#) category:

Click to view products by [HALO](#) manufacturer:

Other Similar products are found below :

[CX2041NLT](#) [MGPWT-00449-P](#) [PE-64961](#) [H1302FNLT](#) [H5008FNL](#) [H5012FNL](#) [H5020FNLT](#) [H5077NLT](#) [H5079NLT](#) [H5084FNLT](#)
[B78476A9558A003](#) [1812WBT2-4](#) [1879479-1](#) [HX2260FNL](#) [HX5014FNL](#) [EX2024FNL](#) [FL1066](#) [T1137NLT](#) [T3012NL](#) [PE-65812FNL](#) [PE-65848FNLT](#) [H1174FNL](#) [H1302FNL](#) [H5015FNL](#) [H5019EFNL](#) [H5062FNLT](#) [CX2047LNL](#) [MGPWT-00059-P](#) [MGPWT-00266-P](#) [MGPWT-00278-P](#) [MGPWT-00431-P](#) [TTC-100](#) [TTC-143-H](#) [TTC-5032-1](#) [BX1194WNLT](#) [HX1234NLT](#) [HX5008FNLT](#) [HX5019FNL](#) [HX5084NL](#) [3-1879385-5](#) [TX1263NLT](#) [4-1879391-0](#) [T1142NL](#) [HX6101FNL](#) [HX5084FNL](#) [HX1148NL](#) [HX5020FNLT](#) [HX5014FNLT](#) [T1124NL](#)
[1879732-1](#)