



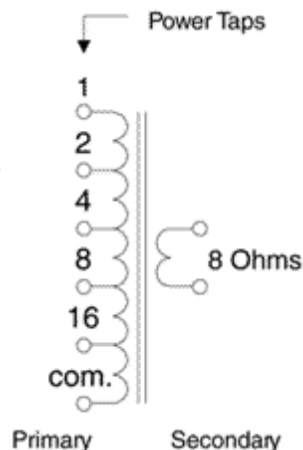
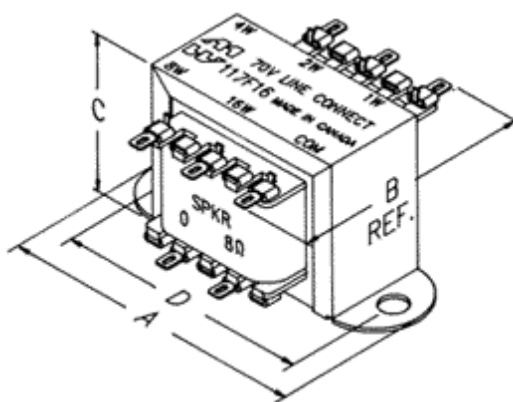
Quality Products. Service Excellence.

## Audio Sound Distribution Line Matching 117 Series

### Features



- Couple 3.2, 8 or 16 ohm speakers to 25 or 70 volt line outputs of amplifiers.
- Up to 5 power tap levels available (except 117F2 which has 4).
- Primary taps marked in watts (no calculation necessary), to match speaker power.
- For speaker matching from older "Classic" 600 Ohm equipment - check out our **119DA** matching transformer.
- Frequency response 100 Hz. to 9 KHz. (1 db. reference @1 KHz.)
- Insertion loss less than 2 db.
- Distortion is less than 1.25% @ 100 Hz. at maximum power.
- Horizontal, channel bracket, 2-hole (.187" dia.) mounting.
- All models have solder lugs, also suitable for slip on jumper connections.
- Total power requirements of speakers should not exceed the rated power of each transformer or rated power of the amplifier.



Part No.	System Volts	Power Rating (Watts)	Audio Power Taps	Voice Coil Impedance (Ohms)	Mounting Centers	Wt. (lbs.)	Overall Dimensions			
							A	B	C	D
117F2	70	2	2, 1, 1/2, 1/4	8	2.00	0.5	2.38	1.38	1.38	2.00
117E4	70	4	4, 2, 1, 1/2, 1/4	3.2	2.38	0.6	2.81	1.50	1.69	2.38
117F4	70	4	4, 2, 1, 1/2, 1/4	8	2.38	0.6	2.81	1.50	1.69	2.38
117E8	70	8	8, 4, 2, 1, 1/2	3.2	2.81	0.9	3.25	1.75	2.00	2.81
117F8	70	8	8, 4, 2, 1, 1/2	8	2.81	0.9	3.25	1.75	2.00	2.81
117E16	70	16	16, 8, 4, 2, 1	3.2	3.13	1.5	3.69	2.00	2.31	3.13
117F16	70	16	16, 8, 4, 2, 1	8	3.13	1.5	3.69	2.00	2.31	3.13
117G16	70	16	16, 8, 4, 2, 1	16	3.13	1.5	3.69	2.00	2.31	3.13
117F32	70	32	32, 16, 8, 4, 2	8	3.56	2.3	4.03	2.25	2.63	3.56
117J4	25	4	4, 2, 1, 1/2, 1/4	3.2	2.38	0.6	2.81	1.50	1.69	2.38
117K4	25	4	4, 2, 1, 1/2, 1/4	8	2.38	0.6	2.81	1.50	1.69	2.38
117J8	25	8	8, 4, 2, 1, 1/2	3.2	2.81	0.6	3.25	1.75	2.00	2.81
117K8	25	8	8, 4, 2, 1, 1/2	8	2.81	0.6	3.25	1.75	2.00	2.81
117K16	25	16	16, 8, 4, 2, 1	8	3.13	1.5	3.69	2.00	2.31	3.13
117K32	25	32	32, 16, 8, 4, 2	8	3.56	2.3	4.03	2.25	2.63	3.56



## X-ON Electronics

Largest Supplier of Electrical and Electronic Components

*Click to view similar products for [Audio Transformers](#) / [Signal Transformers](#) category:*

*Click to view products by [Hammond](#) manufacturer:*

Other Similar products are found below :

[CU4S0506AT-2655-H1](#) [MGPWT-00449-P](#) [PE-64961](#) [1812WBT2-4](#) [BX1194WNL](#) [1879479-1](#) [PA1528ANL](#) [T1137NLT](#) [PE-65848FNLT](#)  
[H5019EFNL](#) [CX2045ALNLT](#) [TG1G-E201NV6LF](#) [MGPWT-00059-P](#) [MGPWT-00266-P](#) [MGPWT-00278-P](#) [MGPWT-00431-P](#) [TTC-100](#)  
[TTC-143-H](#) [TTC-5032-1](#) [4-1879391-0](#) [100213](#) [T1142NL](#) [TG1G-S001NZLF](#) [T1124NL](#) [1879732-1](#) [2-1879391-5](#) [MABA-010321-CT1A42](#)  
[TX1341NL](#) [H0013FNL](#) [H5020FNL](#) [H2009FNLT](#) [H5004NLT](#) [S553-5999-52-F](#) [SCMS7D43AY100PT1](#) [T5008NLT](#) [PE-68517T](#) [MGPWT-](#)  
[00339-P](#) [H5014FNLT](#) [TX1473NLT](#) [PE-69011NLT](#) [CX2043LNLT](#) [H7137FNLT](#) [H1259NLT](#) [TX1344NLT](#) [LM-LP-1005L](#) [H0013NLT](#)  
[S558-5500-JV](#) [TX1193NLT](#) [T7015NL](#) [T1124NLT](#)