



Quality Products. Service Excellence.

Tube Driver - Interstage 126 Series

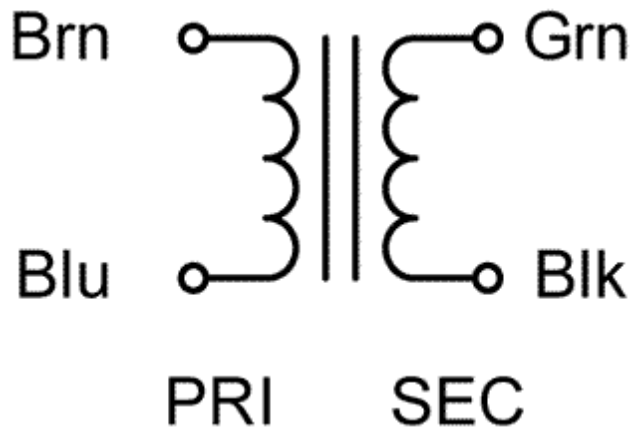
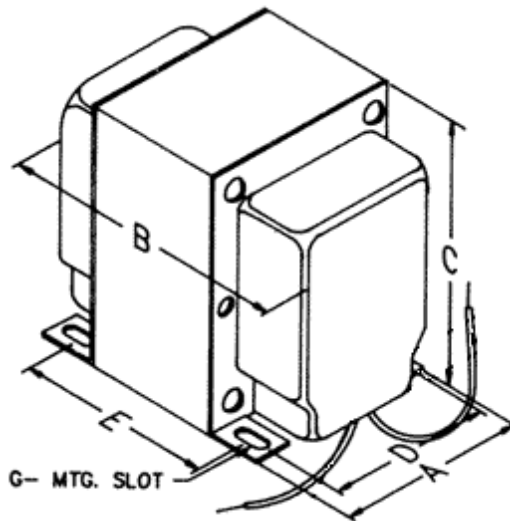
Features



- Designed for driver use ONLY in single ended tube output amplifiers. These units replace coupling capacitor circuits for improved sound.
- Closed style with minimum 8" long leads.
- All models use bifilar wound windings for exceptional coupling and bandwidth.
- Minimum frequency response 20 Hz. - 20 KHz (+/- 1db max. ref. 1 KHz.).
- The core is gapped to support the specified D.C. bias current.
- Maximum working voltage - 400 VDC
- Units are Hi-Pot tested at 1,000 VDC
- Core uses Hi grade silicon laminations (29M6).
- Units weight - 3 lbs. 2 oz.



Ask About
Custom
Transformers
& Chokes



Part No.	Primary			Secondary			Rated D.C. Bias Current	Dimensions						
	Audio Watts	Impedance (Ohms)	D.C. Resistance (Ohms)	Impedance (Ohms)	D.C. Resistance (Ohms)	Inductance		A	B	C	D	E	G Mtg Slot	

Part No.	Audio Watts	Primary		Secondary			Inductance	Rated D.C. Bias Current	Dimensions					G Mtg Slot
		Impedance (Ohms)	D.C. Resistance (Ohms)	Impedance (Ohms)	D.C. Resistance (Ohms)	A			B	C	D	E		
126A	4	5K	178	5K	178	59 Henrys	15 ma.	2.50	3.12	3.12	2.00	2.25	0.20	0.38
126B	4	5K	178	5K	178	44 Henrys	30 ma.	2.50	3.12	3.12	2.00	2.25	0.20	0.38
126C	4	10K	375	10K	375	106 Henrys	15 ma.	2.50	3.12	3.12	2.00	2.25	0.20	0.38

Data subject to change without notice

© 2022. Hammond Manufacturing Ltd. All rights reserved.

X-ON Electronics

Largest Supplier of Electrical and Electronic Components

Click to view similar products for [Audio Transformers](#) / [Signal Transformers](#) category:

Click to view products by [Hammond](#) manufacturer:

Other Similar products are found below :

[CX2041NLT](#) [MGPWT-00449-P](#) [PE-64961](#) [H1302FNLT](#) [H5008FNL](#) [H5012FNL](#) [H5020FNLT](#) [H5077NLT](#) [H5084FNLT](#)
[B78476A9558A003](#) [1812WBT2-4](#) [1879479-1](#) [HX2260FNL](#) [HX5014FNL](#) [EX2024FNL](#) [FL1066](#) [T1137NLT](#) [T3012NL](#) [PE-65812FNL](#) [PE-65848FNLT](#) [H1174FNL](#) [H1302FNL](#) [H5015FNL](#) [H5019EFNL](#) [H5062FNLT](#) [CX2047LNL](#) [MGPWT-00059-P](#) [MGPWT-00266-P](#) [MGPWT-00278-P](#) [MGPWT-00431-P](#) [TTC-100](#) [TTC-143-H](#) [TTC-5032-1](#) [BX1194WNLT](#) [HX1234NLT](#) [HX5008FNLT](#) [HX5019FNL](#) [HX5084NL](#) [3-1879385-5](#) [TX1263NLT](#) [4-1879391-0](#) [P2004NLT](#) [T1142NL](#) [HX6101FNL](#) [HX1148NL](#) [HX5020FNLT](#) [HX5014FNLT](#) [T1124NL](#) [1879732-1](#)
[2-1879391-5](#)