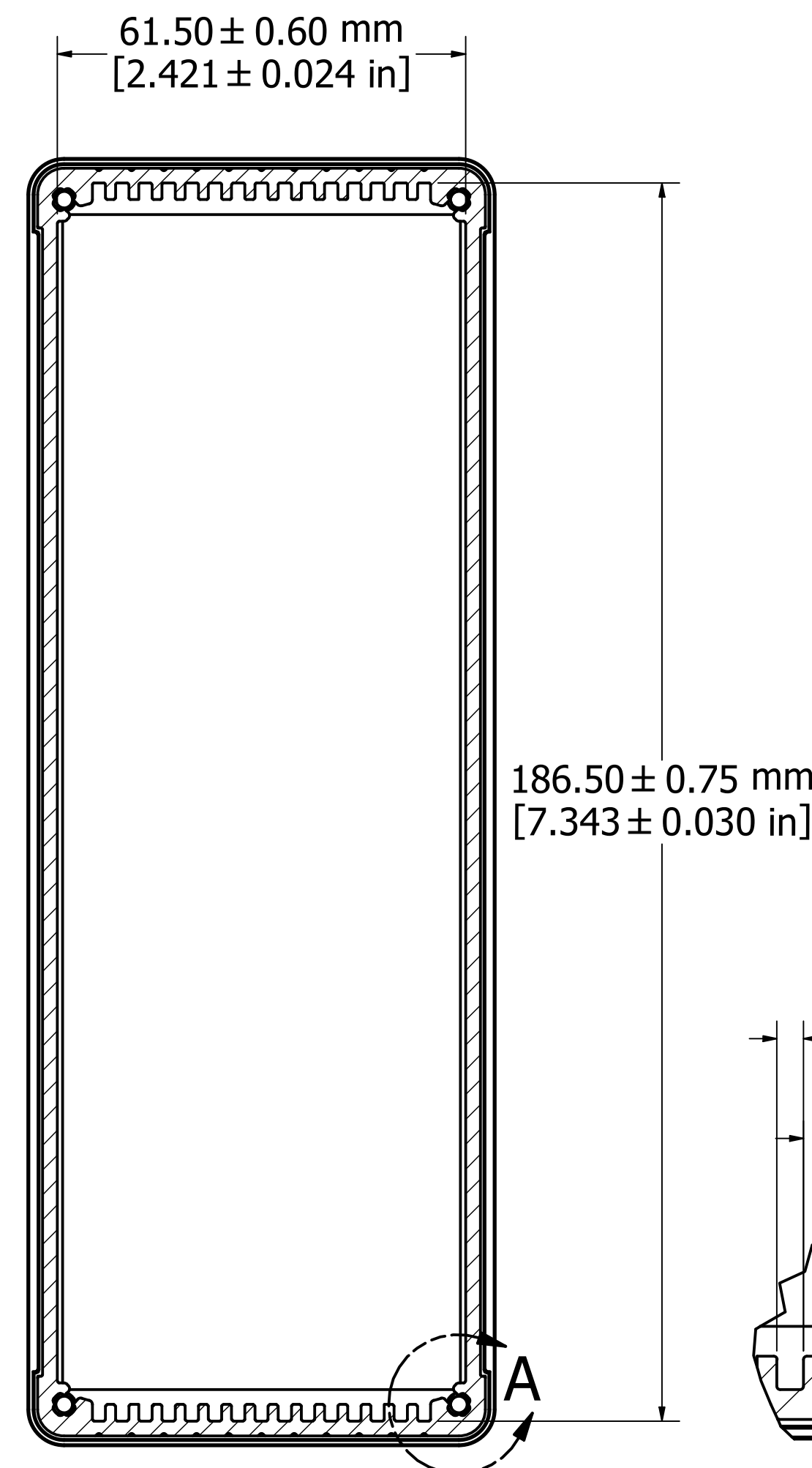
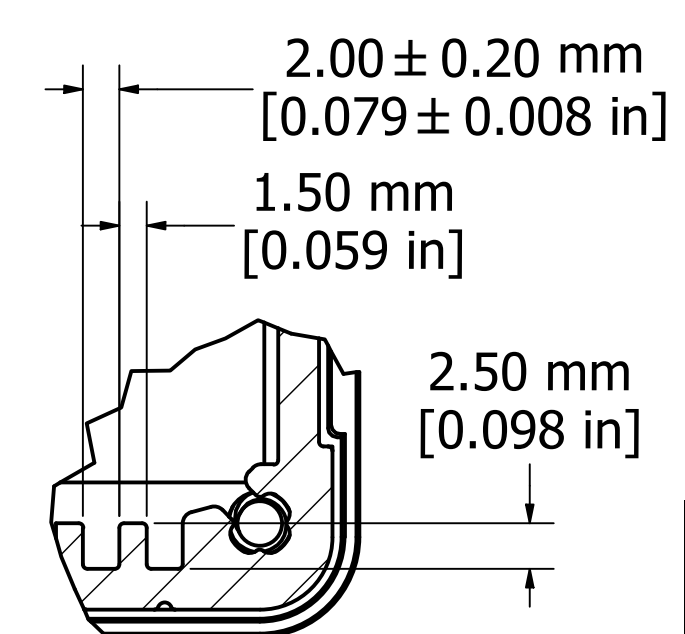


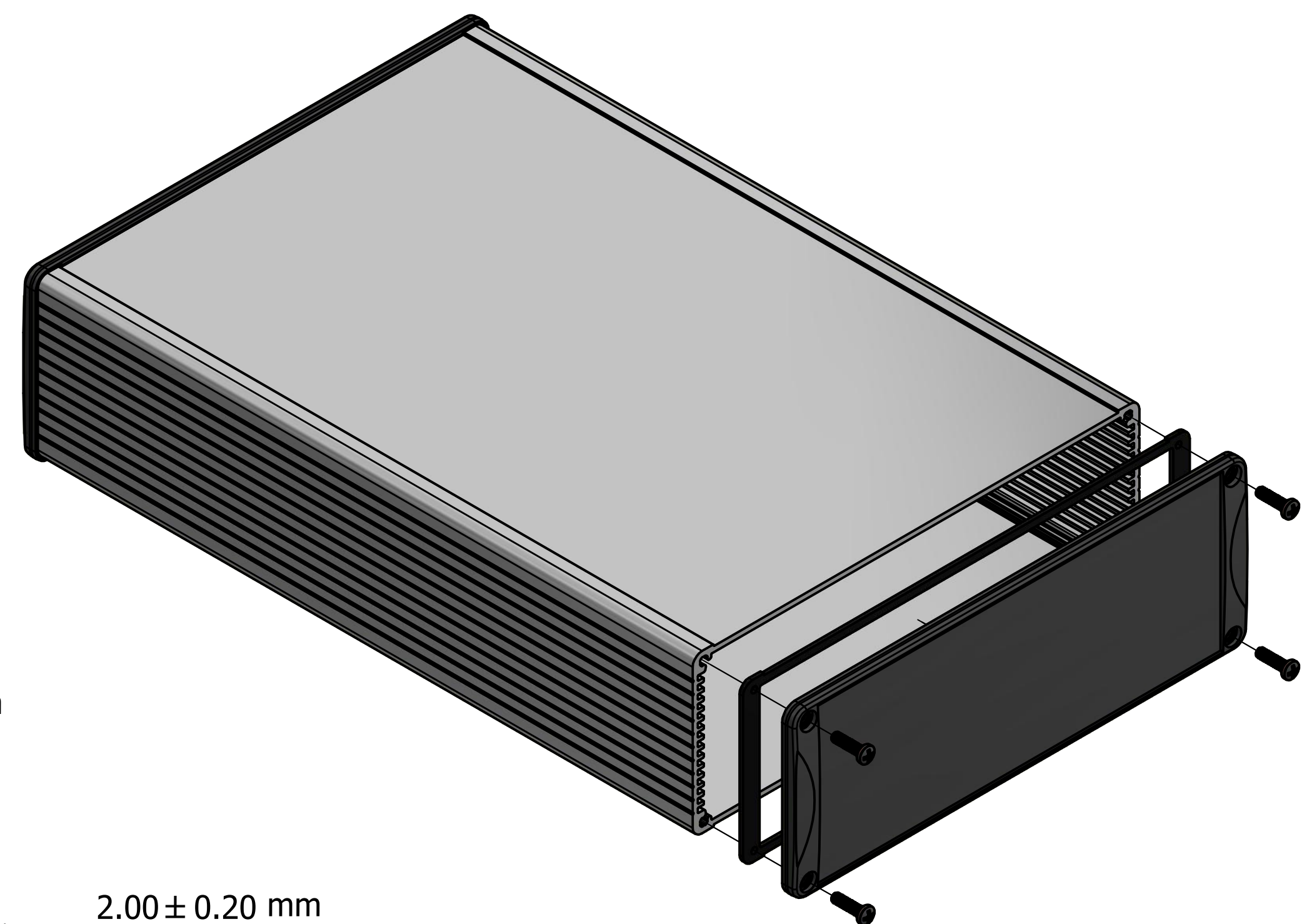
ASSEMBLY - VIEW FROM TOP



SECTION A-A



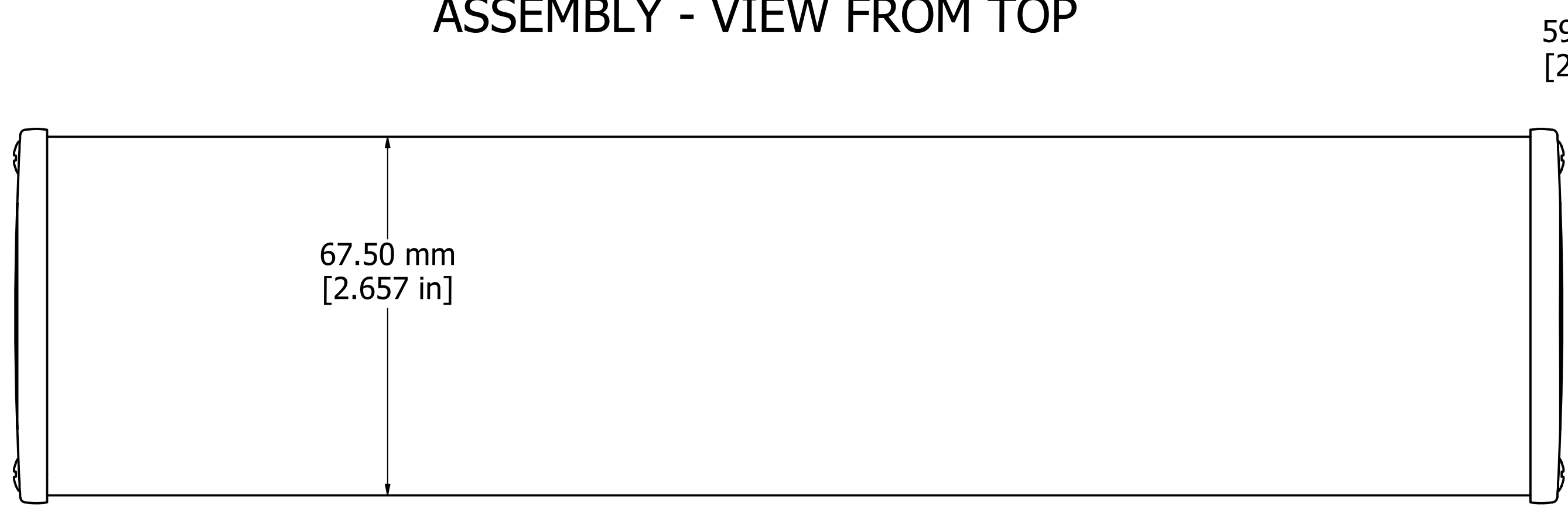
DETAIL A



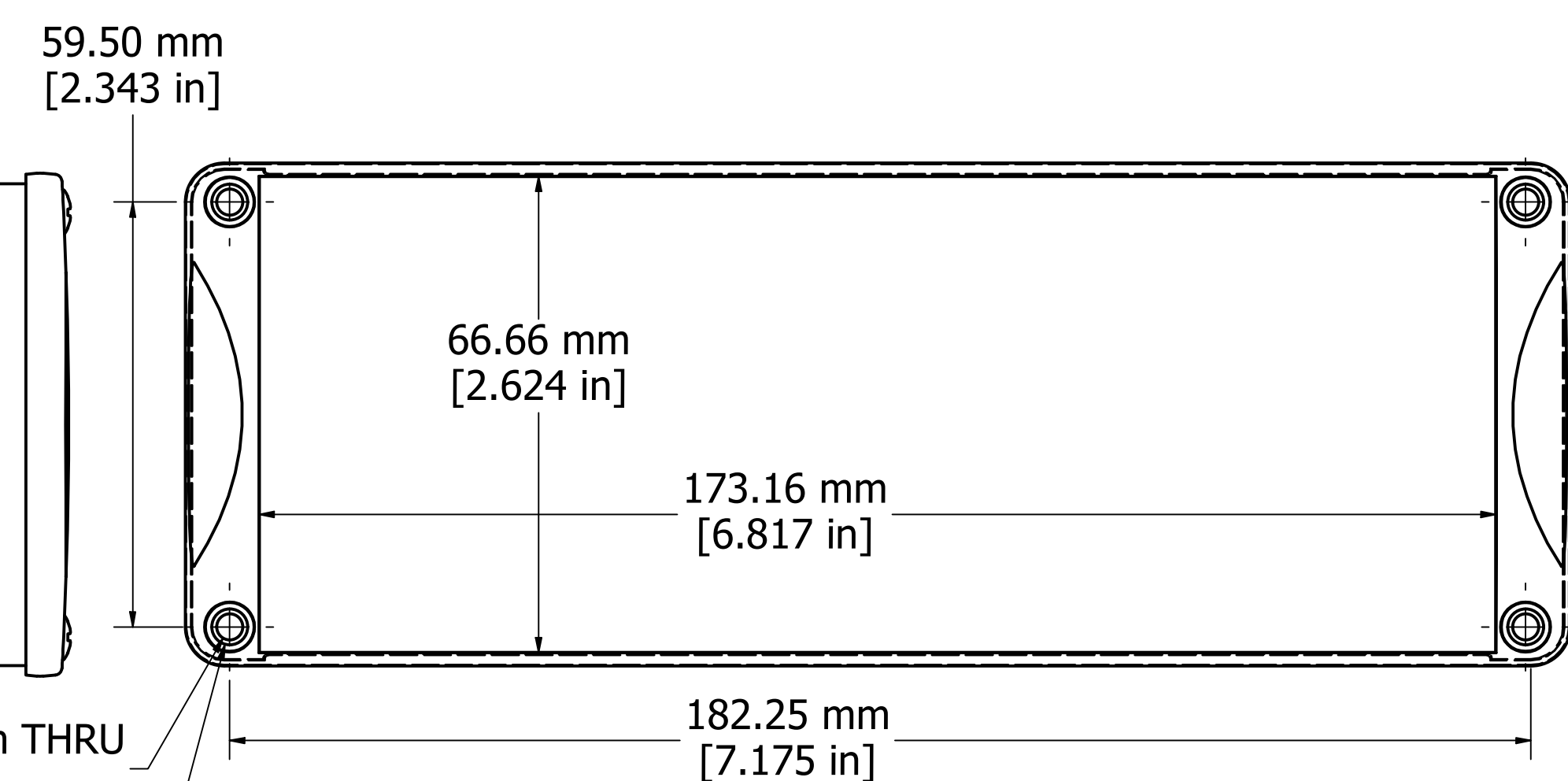
PROTECTION TO IP 65

Enclosures can be Factory Modified (Milling, Drilling, Printing etc.)
 Contact Factory mjm@hammondmfg.com for quotes
 Solid models of this enclosure available in STEP or IGES.

| NOTE | |
|--|--------------|
| Purchased assembly includes box, end panels, stainless steel #6 Taptight screws, self adhesive rubber feet, gaskets and O-Rings. | |
| Box made from Extruded Aluminum 6063. | |
| End panels made from Type 380 Diecast Aluminum with a black powder paint finish. | |
| WATERPROOF 1457U2801 | |
| PART NUMBERS | |
| Clear anodized box with black powder painted end panels | 1457U2801 |
| Black powder painted box and end panels | 1457U2801BK |
| EMI/RFI SHIELDED (IP 54) | |
| Clear anodized box with black powder painted end panels | 1457U2801E |
| Black powder painted box and end panels | 1457U2801EBK |
| ACCESSORIES | |
| See website for accessories. | |



ASSEMBLY - VIEW FROM SIDE



END PANEL - VIEW FROM OUTSIDE

4 X Ø5.00 mm ∇ 0.60 mm
 L 7.00 mm ∇ 2.50 mm

Fits 280mm (11.024") X 186mm (7.323") PCB

**HAMMOND
MANUFACTURING™**

1457U2801

www.hammondmfg.com

X-ON Electronics

Largest Supplier of Electrical and Electronic Components

Click to view similar products for [Enclosures, Boxes & Cases](#) category:

Click to view products by [Hammond](#) manufacturer:

Other Similar products are found below :

[585-R-WH-PK](#) [M-10-PLATED](#) [61000-510-000](#) [C-23 Black Kit](#) [M18-PLTD](#) [M-21-PLATED](#) [63310-01-000](#) [6711GSKT](#) [74257-510-000](#) [CNL-0004](#) [MDC-1183-PLAIN-ALUM](#) [MDC-1183-PTD](#) [MDC-13104-PTD](#) [MDC-973-PTD](#) [76](#) [77153-01-028](#) [FLX6030](#) [83535-01-508](#) [90026-501-000](#) [PS36-200](#) [116-508](#) [120-407](#) [120-910](#) [127-908](#) [130-008](#) [1301170079](#) [1322GSKTEP](#) [1325GSKT3](#) [138-PLAIN](#) [1434-1210](#) [1804RP-RB-PK](#) [190-005](#) [2202307](#) [KAB3321](#) [BLACK](#) [KAB3421](#) [2697466](#) [S52213](#) [2901123](#) [2901699](#) [A0645271](#) [A20P20](#) [2106-IR](#) [PERF-850-PLN](#) [G505025B](#) [2790318](#) [2792057](#) [2890386](#) [2906238](#) [2906241](#) [2906254](#) [2907981](#) [H5031](#) [M-10-LID-PLATED](#)