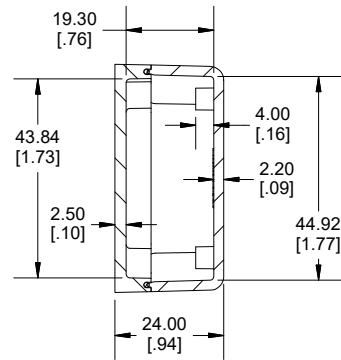
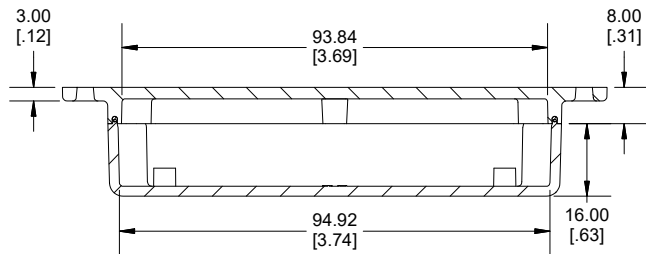
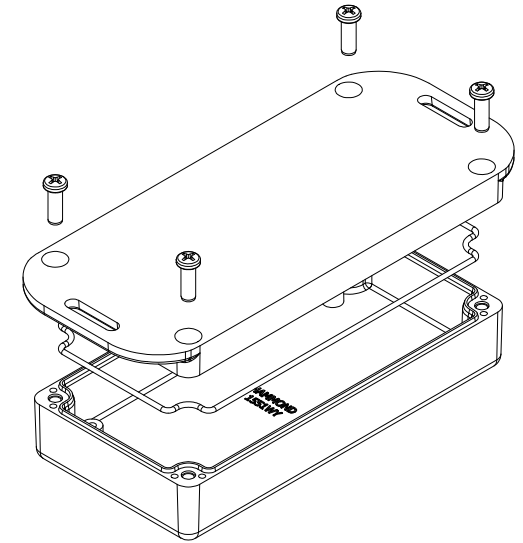


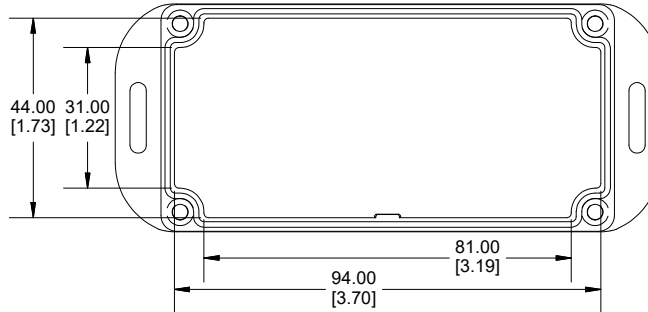
TOP VIEW



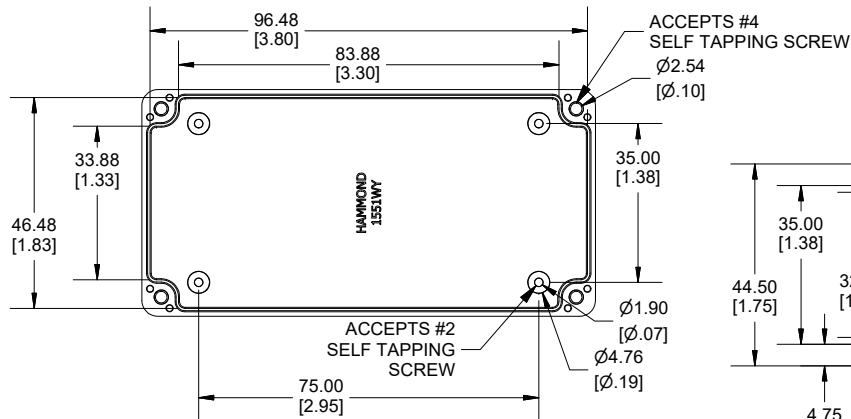
SECTION A-A
END VIEW



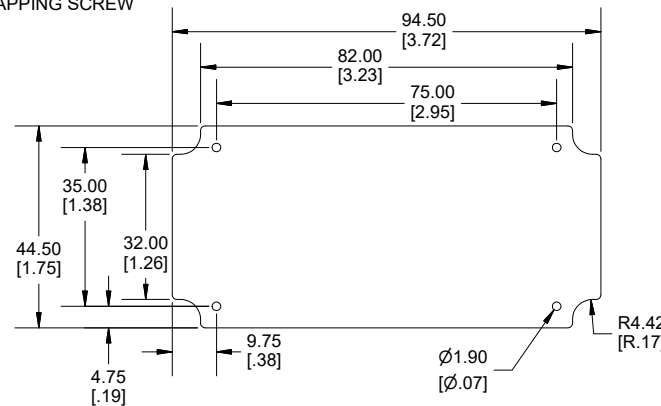
SECTION B-B
SIDE VIEW



INSIDE LID



BOTTOM VIEW

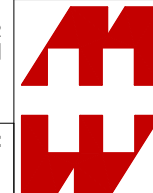


MAXIMUM
P. C. BOARD

Dimensions:
mm
[inches]

Enclosures can be Factory Modified (Milling, Drilling, Printing etc.)
Contact Factory (modshop@hammfg.com) for quotes
Solid models of this enclosure available in .stp or .x_t
(Part number and text placement/orientation on our products are subject to change,
we do not recommend using them as a locating reference for modification purposes)

NOTE	
Purchased assembly includes box, lid, gasket, 4 cover screws. Polycarbonate material is rated UL94 - V0	
Recommended Torque : #4 Cover screw (71-100) Ozf.in / (50-70) cN.m	
Recommended Torque : #2 Internal screws (21-28) Ozf.in / (15-20) cN.m	
PART NUMBERS	
1551WYFL Enclosure	
Polycarbonate Black Enclosure	1551WYFLBK
Polycarbonate Gray Enclosure	1551WYFLGY
ACCESSORIES	
Internal Mounting Post Screw [#2 x 3/16" Plastite Self-tapping (4.8mm)]	1553WTS100 (Pkg 100)
Stainless Steel Cover Screws [#4 X 3/8" Plastite Self-tapping (9.5mm)]	SC509-50 (Pkg 50)



**HAMMOND
MANUFACTURING®**

1551WYFL

www.hammondmfg.com

X-ON Electronics

Largest Supplier of Electrical and Electronic Components

Click to view similar products for [Enclosures, Boxes & Cases](#) category:

Click to view products by [Hammond](#) manufacturer:

Other Similar products are found below :

[000-035-006](#) [000-035-100](#) [000-086-006](#) [001106](#) [00 11 07](#) [00 19 56 LE](#) [00 19 58 LE](#) [00 21 02 LE](#) [00 21 06 LE](#) [00 21 08 LE](#) [00 21 42 LE](#) [00-3073](#) [004](#) [00846](#) [00850](#) [00851](#) [00852](#) [010619030](#) [010619038](#) [010808060](#) [010808068](#) [010813060](#) [010813068](#) [010818060](#) [010818068](#) [01.112L075](#) [011212098](#) [011.5](#) [011616090](#) [011616098](#) [011.9](#) [012320180](#) [012328110](#) [012.9](#) [012.CA.G](#) [014416](#) [01.509L057](#) [020606030](#) [020606060](#) [020808060](#) [020808080](#) [020811060](#) [020811080](#) [020816060](#) [020823060](#) [020823080](#) [021032080](#) [021616090](#) [021626090](#) [021636090](#)