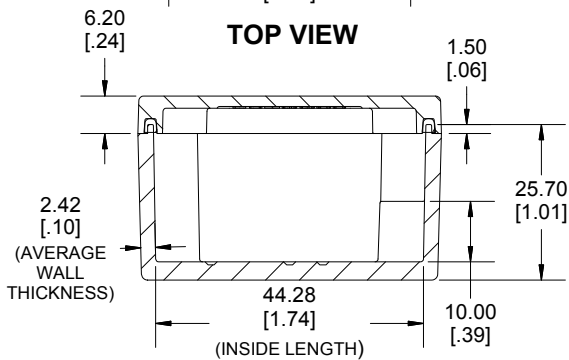
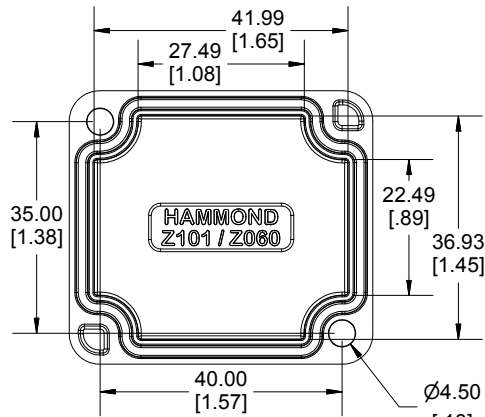


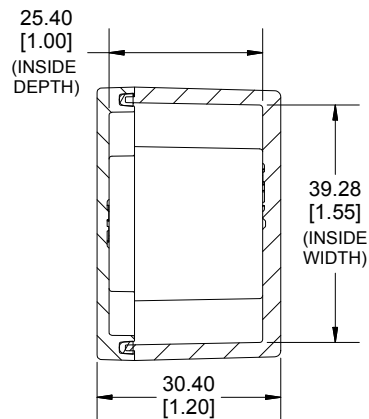
**TOP VIEW**



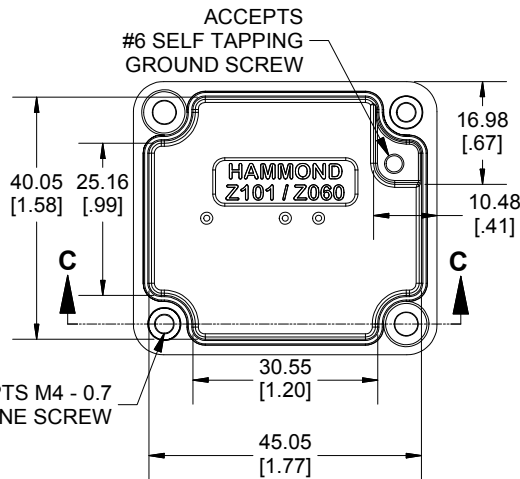
**SECTION B-B  
SIDE VIEW**



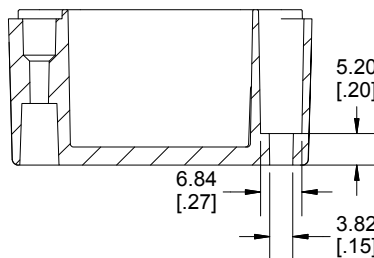
**INSIDE LID**



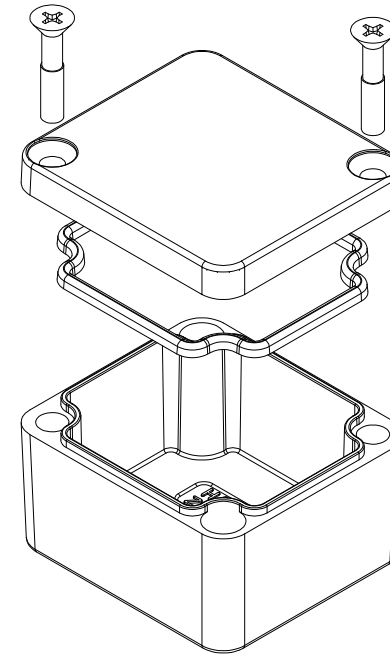
**SECTION A-A  
END VIEW**



**INSIDE BOX**



**SECTION C-C  
MOUNTING HOLE**



Enclosures can be Factory Modified ( Milling, Drilling, Printing etc.)  
 Contact Factory [mjm@hammondmfg.com](mailto:mjm@hammondmfg.com) for quotes  
 Solid models of this enclosure available in STEP or IGES.  
 (Part number and text placement/orientation on our products are subject to change,  
 we do not recommend using them as a locating reference for modification purposes)

**NOTE**

Purchased assembly includes box, lid, silicone gasket,  
 2 cover screws and 1 ground screws  
 Box and lid are made from Diecast Aluminum Alloy.

**Recommended cover screw Torque 5-7.5 lbf.in ( 50 -75 cN.m)**

1590Z060	
1590Z060 Enclosure	
Basic Enclosure	1590Z060
Black Enclosure	1590Z060BK
Grey Enclosure - RAL7001 Gloss	1590Z060GY
ACCESSORIES	
Pre-Formed Silicone Gasket	1590Z060G
Plated Ground Hardware (6 Pack) [SCREW 6-32X1/4 PH TYPE C]	1421J6

Dimensions:  
 mm  
 [inches]

**HAMMOND  
 MANUFACTURING**  
 1590Z060  
[www.hammondmfg.com](http://www.hammondmfg.com)

## X-ON Electronics

Largest Supplier of Electrical and Electronic Components

*Click to view similar products for [Electrical Enclosures](#) category:*

*Click to view products by [Hammond](#) manufacturer:*

Other Similar products are found below :

[120-902](#) [120-905](#) [120-403](#) [120-475](#) [120-901](#) [127-410](#) [130-504](#) [130-506](#) [MR-25L+](#) [30-8739](#) [PIP-11774SCREW](#) [30-9715](#) [MR-25LW+](#) [110-407](#) [111-004](#) [111-008](#) [110-402](#) [110-901](#) [110-907](#) [111-002](#) [110-406](#) [110-910](#) [110-404](#) [110-409](#) [110-410](#) [120-405](#) [106-009](#) [106-505](#) [105-401](#) [106-006](#) [104-406](#) [137-002](#) [105-405](#) [111-005](#) [127-909](#) [106-502](#) [130-475](#) [130-503](#) [127-401](#) [106-010](#) [127-455](#) [127-475](#) [110-903](#) [R260-180-300](#) [9511020](#) [9822029](#) [9820014](#) [P61603000P](#) [9823009](#) [R103-164-000](#)