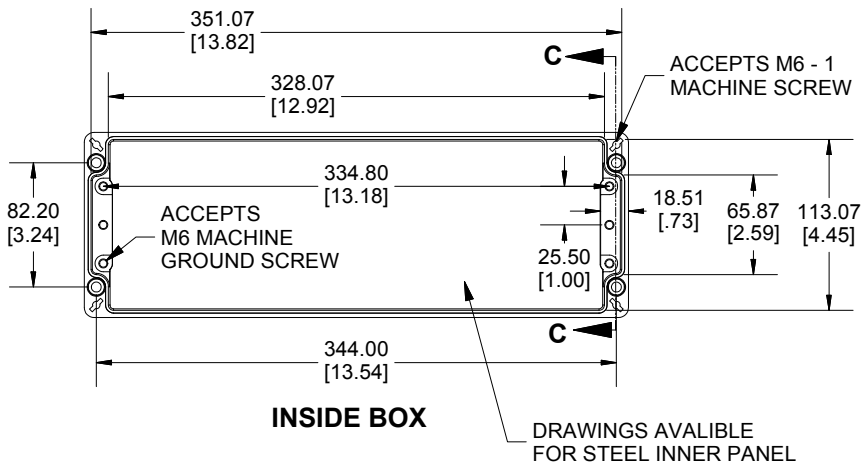
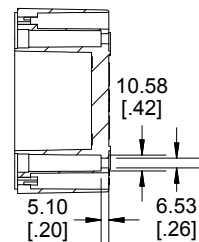


Enclosures can be Factory Modified (Milling, Drilling, Printing etc.)
Contact Factory mjm@hammondmfg.com for quotes
Solid models of this enclosure available in STEP or IGES.
(Part number and text placement/orientation on our products are subject to change, we do not recommend using them as a locating reference for modification purposes)



DRAWINGS AVAILABLE FOR STEEL INNER PANEL



NOTE	
Purchased assembly includes box, lid, silicone gasket, 4 cover screws and 5 ground screws with washers. Box and lid are made from Diecast Aluminum Alloy.	
Recommended cover screw Torque 15-17 lbf.in (150 -170 cN.m)	
1590Z164	
1590Z164 Enclosure	
Basic Enclosure	1590Z164
Black Enclosure	1590Z164BK
Grey Enclosure - RAL7001 Gloss	1590Z164GY
ACCESSORIES	
Steel Inner Panel	1590Z164PL
Pre-Formed Silicone Gasket	1590Z164G
Copper Ground Hardware (4 Pack) [M6 - 1.0 X 10mm / M6 Washer]	SCGM6
Copper Ground Hardware For Lid (2 Pack) [M4 - 0.7 X 6mm / M4 Washer]	SCGM4

Dimensions:
mm
[inches]

**HAMMOND
MANUFACTURING**

1590Z164
www.hammondmfg.com

X-ON Electronics

Largest Supplier of Electrical and Electronic Components

Click to view similar products for [Electrical Enclosures](#) category:

Click to view products by [Hammond](#) manufacturer:

Other Similar products are found below :

[120-902](#) [120-905](#) [120-403](#) [120-475](#) [120-901](#) [127-410](#) [130-504](#) [130-506](#) [MR-25L+](#) [30-8739](#) [PIP-11774SCREW](#) [30-9715](#) [MR-25LW+](#) [110-407](#) [111-004](#) [111-008](#) [110-402](#) [110-901](#) [110-907](#) [111-002](#) [110-406](#) [110-910](#) [110-404](#) [110-409](#) [110-410](#) [120-405](#) [106-009](#) [106-505](#) [105-401](#) [106-006](#) [104-406](#) [137-002](#) [105-405](#) [111-005](#) [127-909](#) [106-502](#) [130-475](#) [130-503](#) [127-401](#) [106-010](#) [127-455](#) [127-475](#) [110-903](#) [R260-180-300](#) [9511020](#) [9822029](#) [9820014](#) [P61603000P](#) [9823009](#) [R103-164-000](#)