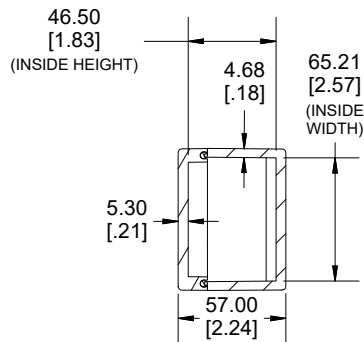
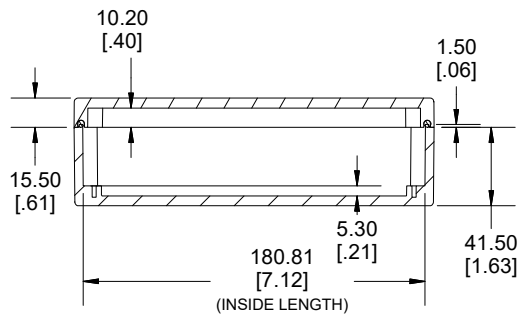
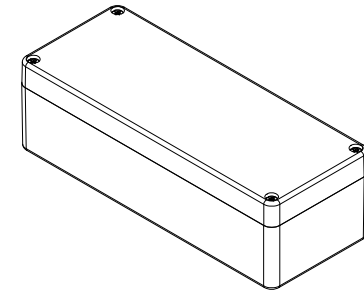


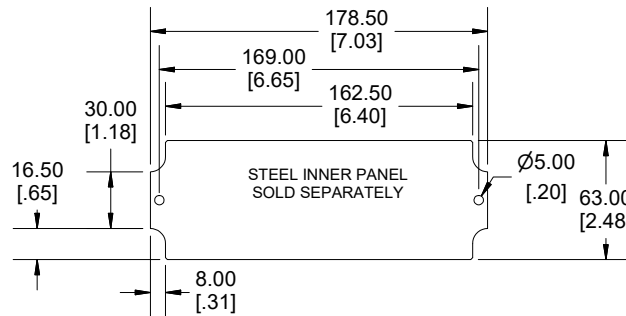
TOP VIEW



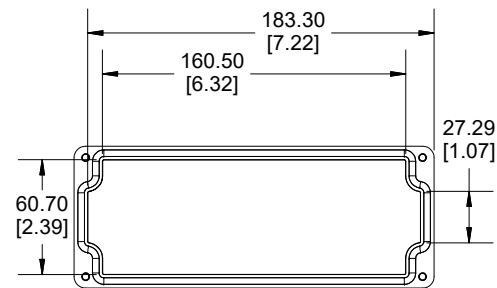
**SECTION B-B
END VIEW**



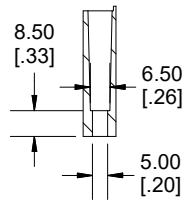
**SECTION A-A
SIDE VIEW**



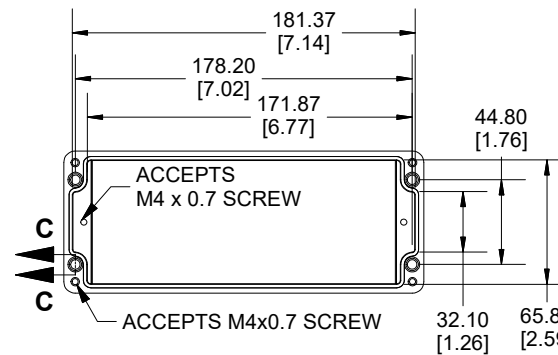
Enclosures can be Factory Modified (Milling, Drilling, Printing etc.)
 Contact Factory (modshop@hammfg.com) for quotes
 Solid models of this enclosure available in .stp or .x_t
 (Part number and text placement/orientation on our products are subject to change.
 We do not recommend using them as a locating reference for modification purposes)



INSIDE LID



**SECTION C-C
MOUNTING HOLE**



INSIDE BOX

Dimensions:
 mm
 [inches]

NOTE	
Purchased assembly includes Box, Lid, Gasket and 4 cover screws	
Enclosure Molded from Glass Reinforced Polyester	
Recommended cover screw torque 8.8-13.3 lbf.in (100-150 cN.m)	
PART NUMBERS	
1590ZGRP131 Enclosure	
Black Enclosure	1590ZGRP131BK
ACCESSORIES	
Copper Ground Hardware (50 Pack) [M4 - 0.7 X 6mm / M4 Washer]	SCGM4-50
Stainless Steel Cover Screw (50 Pack) [M4 - 0.7 x 25mm]	SC583-50
Steel Inner Panel	1590ZGRP131PL
Hinge Kit Black (2 Pack)	1427HKBK

**HAMMOND
 MANUFACTURING.**
1590ZGRP131BK
 www.hammondmfg.com

X-ON Electronics

Largest Supplier of Electrical and Electronic Components

Click to view similar products for [Enclosures, Boxes & Cases](#) category:

Click to view products by [Hammond](#) manufacturer:

Other Similar products are found below :

[585-R-WH-PK](#) [M-10-PLATED](#) [61000-510-000](#) [C-23 Black Kit](#) [M18-PLTD](#) [M-21-PLATED](#) [63310-01-000](#) [6711GSKT](#) [74257-510-000](#) [CNL-0004](#) [MDC-1183-PLAIN-ALUM](#) [MDC-1183-PTD](#) [MDC-13104-PTD](#) [MDC-973-PTD](#) [76](#) [77153-01-028](#) [FLX6030](#) [83535-01-508](#) [90026-501-000](#) [PS36-200](#) [116-508](#) [120-407](#) [120-910](#) [127-908](#) [130-008](#) [1301170079](#) [1322GSKTEP](#) [1325GSKT3](#) [138-PLAIN](#) [1434-1210](#) [1804RP-RB-PK](#) [190-005](#) [2202307](#) [KAB3321](#) [BLACK](#) [KAB3421](#) [2697466](#) [S52213](#) [2901123](#) [2901699](#) [A0645271](#) [A20P20](#) [2106-IR](#) [PERF-850-PLN](#) [G505025B](#) [2790318](#) [2792057](#) [2890386](#) [2906238](#) [2906241](#) [2906254](#) [2907981](#) [H5031](#) [M-10-LID-PLATED](#)