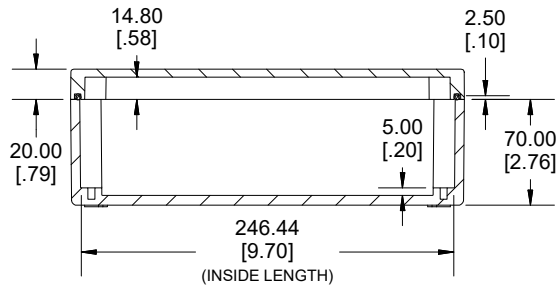
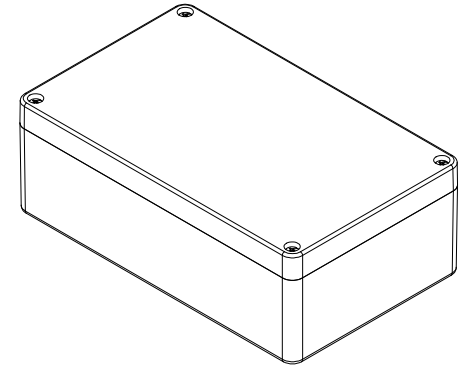
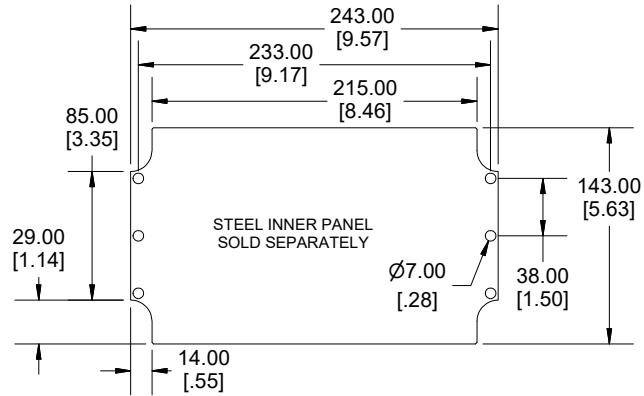


**SECTION B-B  
END VIEW**



**SECTION A-A  
SIDE VIEW**



Enclosures can be Factory Modified (Milling, Drilling, Printing etc.)  
Contact Factory (modshop@hammfg.com) for quotes  
Solid models of this enclosure available in .stp or .x\_t  
(Part number and text placement/orientation on our products are subject to change, we do not recommend using them as a locating reference for modification purposes)

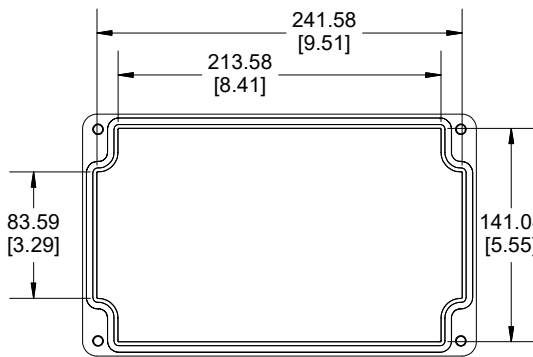
**NOTE**

Purchased assembly includes Box, Lid, Gasket and 4 cover screws  
Enclosure Molded from Glass Reinforced Polyester

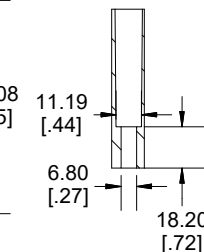
**Recommended cover screw torque 13.3-17.7 lbf.in (150-200 cN.m)**

**PART NUMBERS**

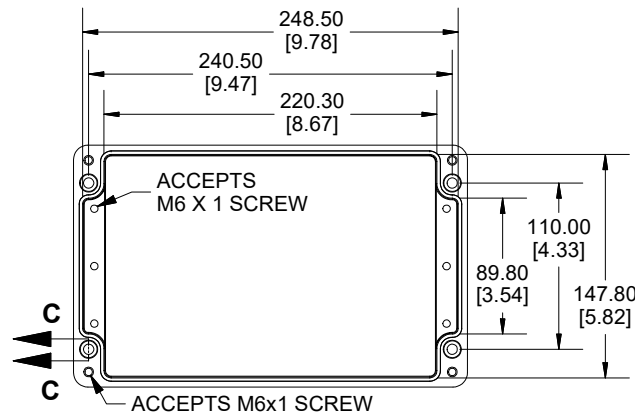
1590ZGRP162 Enclosure	
Black Enclosure	1590ZGRP162BK
<b>ACCESSORIES</b>	
Copper Ground Hardware (20 Pack) [M6 - 1.0 X 6mm / M6 Washer]	SCGM6GRP-20
Stainless Steel Cover Screw (20 Pack) [M6 - 1.0 x 30mm]	SC570-20
Steel Inner Panel	1590ZGRP162PL
Hinge Kit Black (2 Pack)	1427HKBK



**INSIDE LID**



**SECTION C-C  
MOUNTING HOLE**



**INSIDE BOX**

Dimensions:  
mm  
[inches]

**HAMMOND  
MANUFACTURING®**  
**1590ZGRP162BK**  
www.hammondmfg.com

## X-ON Electronics

Largest Supplier of Electrical and Electronic Components

*Click to view similar products for [Enclosures, Boxes & Cases](#) category:*

*Click to view products by [Hammond](#) manufacturer:*

Other Similar products are found below :

[585-R-WH-PK](#) [M-10-PLATED](#) [61000-510-000](#) [C-23 Black Kit](#) [M18-PLTD](#) [M-21-PLATED](#) [63310-01-000](#) [6711GSKT](#) [74257-510-000](#) [CNL-0004](#) [MDC-1183-PLAIN-ALUM](#) [MDC-1183-PTD](#) [MDC-13104-PTD](#) [MDC-973-PTD](#) [76](#) [77153-01-028](#) [FLX6030](#) [83535-01-508](#) [90026-501-000](#) [PS36-200](#) [116-508](#) [120-407](#) [120-910](#) [127-908](#) [130-008](#) [1301170079](#) [1322GSKTEP](#) [1325GSKT3](#) [138-PLAIN](#) [1434-1210](#) [1804RP-RB-PK](#) [190-005](#) [2202307](#) [KAB3321](#) [BLACK](#) [KAB3421](#) [2697466](#) [S52213](#) [2901123](#) [2901699](#) [A0645271](#) [A20P20](#) [2106-IR](#) [PERF-850-PLN](#) [G505025B](#) [2790318](#) [2792057](#) [2890386](#) [2906238](#) [2906241](#) [2906254](#) [2907981](#) [H5031](#) [M-10-LID-PLATED](#)