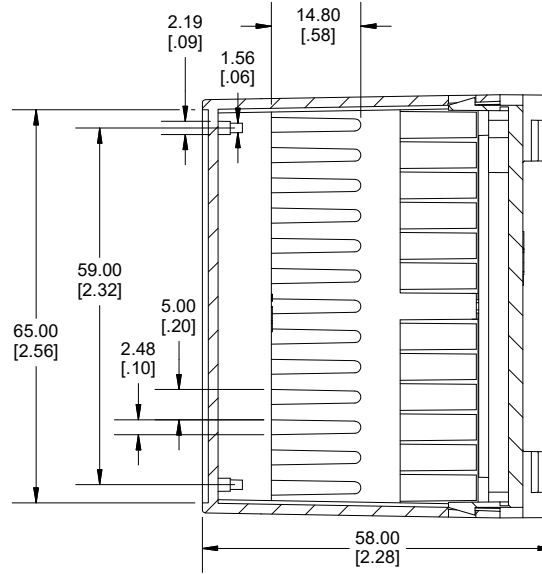
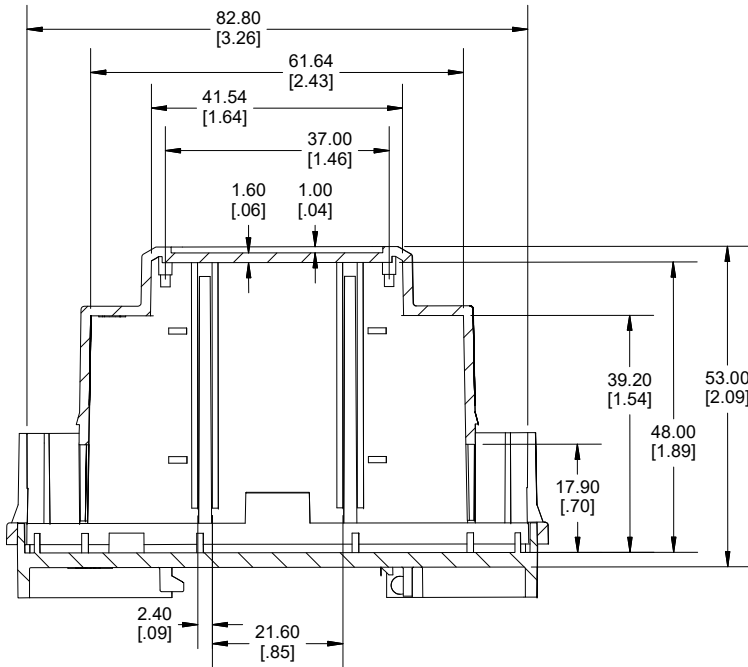
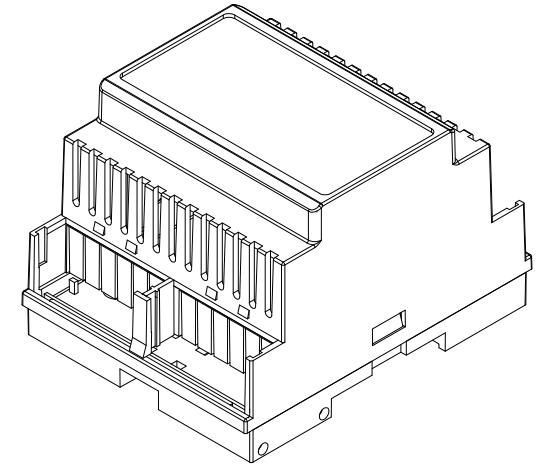


TOP VIEW



SECTION A-A



SECTION B-B

Enclosures can be Factory Modified (Milling, Drilling, Printing etc.)
 Contact Factory (modshop@hammfg.com) for quotes
 Solid models of this enclosure available in .stp or .x_t
 (Part number and text placement/orientation on our products are subject to change,
 we do not recommend using them as a locating reference for modification purposes)

NOTE

Purchased enclosure includes base and cover.
 Cover is made from polycarbonate, Base is made from PPE+PS.

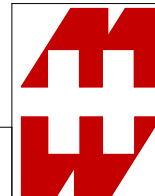
PART NUMBERS

1597DIN

4 Module enclosure grey	1597DIN4GY
-------------------------	------------

ACCESSORIES

Cover panel closed (Pkg 1)	1597DINCOV1GY
Cover panel oval (Pkg 1)	1597DINCOV2GY
Cover panel vented (Pkg 1)	1597DINCOV3GY
Cover panel knockout (Pkg 1)	1597DINCOV4GY



**HAMMOND
 MANUFACTURING®**

1597DIN4

www.hammondmfg.com

Dimensions:
 mm
 [inches]

X-ON Electronics

Largest Supplier of Electrical and Electronic Components

Click to view similar products for [Enclosures for Industrial Automation](#) *category:*

Click to view products by [Hammond](#) *manufacturer:*

Other Similar products are found below :

[116-508](#) [2202307](#) [2790318](#) [5030266](#) [706-102](#) [2977487](#) [115-401](#) [795-001](#) [790-211](#) [733-820](#) [05410002](#) [13435](#) [S-12/40D IP-40 WHITE](#)
[C.1548](#) [MIP12118](#) [2000602](#) [MIP12112T](#) [2000604](#) [CN 70 AK-SET](#) [13433](#) [13963](#) [S-7/PT WHITE](#) [S-3Z WHITE](#) [MIP12312T](#) [S-9/PT](#)
[WHITE](#) [MIP22112](#) [MIP22112T](#) [ZD1004J ABS V0](#) [S-7/K WHITE](#) [CN 55 AK-SET](#) [2000603](#) [NSYCAG291LPF](#) [XAPD1201](#) [CN 22 AK-SET](#)
[13434](#) [13957](#) [MIP22312T](#) [2000605](#) [S-12/40 IP-40 WHITE](#) [MIP12112](#) [S-12/55D IP-55 WHITE](#) [MIP22212T](#) [C.14508](#) [S-4/K WHITE](#)
[NSYCRN65150P](#) [S-12/K WHITE](#) [S-6/40 IP-40 WHITE](#) [MIP22108T](#) [MIP12108](#) [9MDC53](#)