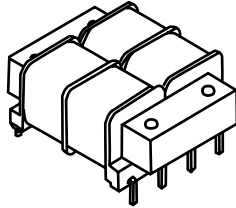




HAMMOND
MANUFACTURING™



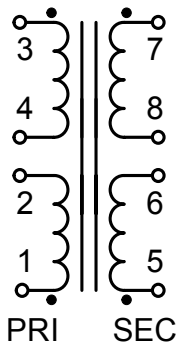
**LOW VOLTAGE
P.C. BOARD MOUNT
LOW PROFILE
229 SERIES**

Key Features:

- Low profile mounting, dual-split bobbin design
- Low primary to secondary coupling, balanced windings, no electrostatic shield required and low EMF radiation due to semi-toroidal design
- Universal dual primary 115/230V - 50/60 Hz.
- High insulation - Hipot of 1,750V RMS
- Class B insulation - 130 degrees C
- UL recognized
- For more information on this series, go to:
<http://www.hammondmfg.com/229.htm>



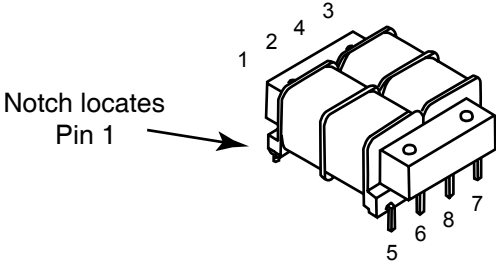
Transformer Schematic



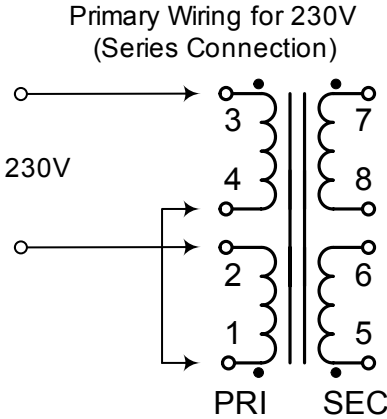
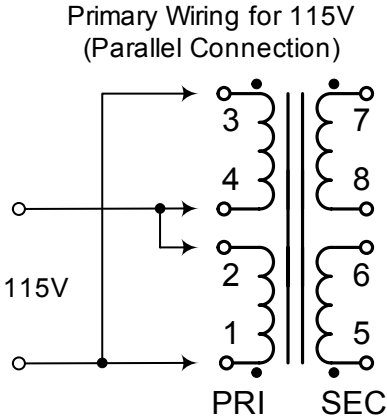
Part No. Dual Pri. 115/230V	Size (VA)	Secondary (RMS)	
		Series	Parallel
229E10	2	10V C.T. @ 250ma	5V @ 500ma
229A10	6	10V C.T. @ 600ma	5V @ 1.2A
229B10	12	10V C.T. @ 1.2A	5V @ 2.4A
229C10	24	10V C.T. @ 2.4A	5V @ 4.8A
229D10	48	10V C.T. @ 4.8A	5V @ 9.6A
229E12	2	12.6V C.T. @ 200ma	6.3V @ 400ma
229A12	6	12.6V C.T. @ 450ma	6.3V @ 900ma
229B12	12	12.6V C.T. @ 900ma	6.3V @ 1.8A
229C12	24	12.6V C.T. @ 1.9A	6.3V @ 3.8A
229D12	48	12.6V C.T. @ 3.8A	6.3V @ 7.6A
229E16	2	16V C.T. @ 150ma	8V @ 300ma
229A16	6	16V C.T. @ 350ma	8V @ 700ma
229B16	12	16V C.T. @ 700ma	8V @ 1.4A
229C16	24	16V C.T. @ 1.5A	8V @ 3A
229D16	48	16V C.T. @ 3A	8V @ 6A
229E20	2	20V C.T. @ 125ma	10V @ 250ma
229A20	6	20V C.T. @ 300ma	10V @ 600ma
229B20	12	20V C.T. @ 600ma	10V @ 1.2A
229C20	24	20V C.T. @ 1.2A	10V @ 2.4A
229D20	48	20V C.T. @ 2.4A	10V @ 4.8A
229E24	2	24V C.T. @ 100ma	12V @ 200ma
229A24	6	24V C.T. @ 250ma	12V @ 500ma
229B24	12	24V C.T. @ 500ma	12V @ 1A
229C24	24	24V C.T. @ 1A	12V @ 2A
229D24	48	24V C.T. @ 2A	12V @ 4A
229E30	2	30V C.T. @ 85ma	15V @ 170ma
229A30	6	30V C.T. @ 200ma	15V @ 400ma
229B30	12	30V C.T. @ 400ma	15V @ 800ma
229C30	24	30V C.T. @ 800ma	15V @ 1.6A
229D30	48	30V C.T. @ 1.6A	15V @ 3.2A
229E34	2	34V C.T. @ 75ma	17V @ 150ma
229A34	6	34V C.T. @ 170ma	17V @ 340ma
229B34	12	34V C.T. @ 340ma	17V @ 680ma
229C34	24	34V C.T. @ 700ma	17V @ 1.4A
229D34	48	34V C.T. @ 1.4A	17V @ 2.8A
229E40	2	40V C.T. @ 60ma	20V @ 120ma
229A40	6	40V C.T. @ 150ma	20V @ 300ma
229B40	12	40V C.T. @ 300ma	20V @ 600ma
229C40	24	40V C.T. @ 600ma	20V @ 1.2A
229D40	48	40V C.T. @ 1.2A	20V @ 2.4A
229E56	2	56V C.T. @ 45ma	28V @ 90ma
229A56	6	56V C.T. @ 100ma	28V @ 200ma
229B56	12	56V C.T. @ 200ma	28V @ 400ma
229C56	24	56V C.T. @ 425ma	28V @ 850ma
229D56	48	56V C.T. @ 850ma	28V @ 1.7A
229E88	2	88V C.T. @ 28ma	44V @ 56ma
229A88	6	88V C.T. @ 65ma	44V @ 130ma
229B88	12	88V C.T. @ 130ma	44V @ 260ma
229E120	2	120V C.T. @ 20ma	60V @ 40ma
229A120	6	120V C.T. @ 50ma	60V @ 100ma
229B120	12	120V C.T. @ 100ma	60V @ 200ma
229E230	2	230V C.T. @ 10ma	115V @ 20ma
229A230	6	230V C.T. @ 25ma	115V @ 50ma
229B230	12	230V C.T. @ 50ma	115V @ 100ma

www.hammondmfg.com

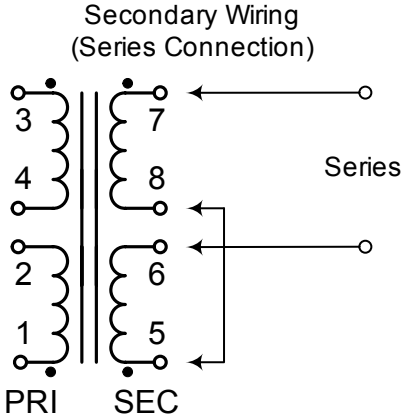
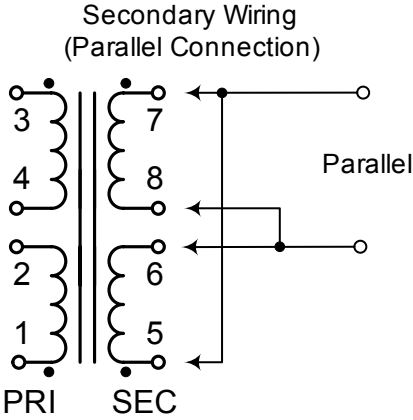
Connection Information - 229 Series Transformers



Primary Connections - 229 Series Transformers



Secondary Connections - 229 Series Transformers



X-ON Electronics

Largest Supplier of Electrical and Electronic Components

Click to view similar products for [Power Transformers](#) category:

Click to view products by [Hammond](#) manufacturer:

Other Similar products are found below :

[ET-030A](#) [F-102X](#) [F-120X](#) [F-14X-1](#) [F-181U](#) [F-18A](#) [F-199U](#) [F-19X](#) [F-202U](#) [F-204U](#) [F-206U](#) [F-227X](#) [F-238U](#) [F-239U-1](#) [F-23U](#) [F24-250-B](#)
[F-242U](#) [F-245U](#) [F-264U](#) [F-265U](#) [F-267U](#) [F-281U](#) [F-283U](#) [F-290X](#) [F-295Z](#) [F-296Z](#) [F-298Z](#) [F-3143P](#) [F-3298Z](#) [F-33U](#) [F-346X](#) [F-35U](#) [F-](#)
[364U](#) [F-392A](#) [F-395X](#) [F-397U](#) [F-412X](#) [F-47U](#) [F-55X-1](#) [F-60U](#) [F-68U](#) [F-71U](#) [F-72Z](#) [F-74U](#) [F-83A](#) [F-84AC](#) [F-85U](#) [F-86U](#) [F-9U](#) [PCT-02](#)